

Cette notice contient d'importantes informations sur la sécurité, les performances et l'entretien. Lisez-les et comprenez-les ainsi que les informations fournies par le fabricant de votre vélo avant d'utiliser le produit, et conservez-les pour référence ultérieure.

Owner's Manual Kiox

BUI330

Robert Bosch GmbH
72757 Reutlingen
Germany

www.bosch-ebike.com

1 270 U20 XBK (2023.03) T / 74



Este manual contiene información importante de seguridad, rendimiento y mantenimiento. Léalo y asegúrese de entenderlo junto con la información que le ha facilitado el fabricante de su bicicleta antes de usar el producto; guárdelo a modo de referencia.

en Original operating instructions
fr Notice d'utilisation d'origine
es Instrucciones de servicio originales

This manual contains important safety, performance and service information. Read and understand it along with the information provided to you by your bicycle manufacturer before using the product, and keep it for reference.



Table of Contents

Introduction	2
About Warnings	2
General Warnings	2
Using your Manual	3
Operating your Bosch Drive System	4
Safety instructions	4
Product Description and Specifications	8
Intended use	9
Technical data	9
Assembly	10
Operation	11
Displays and settings of the on-board computer	16
Maintenance and cleaning	19
Troubleshooting	20
Battery Recycling Program	23

Introduction

About Warnings

This manual contains many **DANGER**, **WARNING**, and **CAUTION** indicators concerning the consequences of failure to use, assemble, maintain, store, inspect and dispose of a Bosch-equipped eBike in a safe manner.

- The combination of the safety alert symbol and the word **DANGER** indicates a hazardous situation that, if not avoided, will result in death or serious injury.
- The combination of the safety alert symbol and the word **WARNING** indicates a hazardous situation that, if not avoided, could result in death or serious injury.
- The combination of the safety alert symbol and the word **CAUTION** indicates a hazardous situation that, if not avoided, could result in minor or moderate injury.

General Warnings



Read all safety warnings and all instructions. Failure to follow the warnings and instructions may result in death or serious injury.

Save all safety warnings and instructions for future reference.

The term **eBike battery** used in these operating instructions refers to all original Bosch eBike batteries.

- ▶ **Read ALL accompanying manuals before riding the bike for the first time.** Your Bosch Drive System comes with additional manuals and documents provided by the manufacturer of the bicycle and other components. Failure to read and understand safety information can result in death or serious injury.

WARNING

- ▶ **This manual contains important safety, performance and service information.** Read it before you take the first ride on your new bicycle, and keep it for reference. The manual can also be found online at www.bosch-ebike.com.
- ▶ **This manual is intended to be read together with the separate user manual provided with your bicycle.** Be sure to read all provided documents including labels on the product before your first ride.

- ▶ **Take responsibility for your own SAFETY.** If you have any questions or do not understand something, consult with your dealer or the bicycle or component manufacturer.
- ▶ **Some eBike accessories may present a choking hazard to small children.** Keep these accessories away from children.

CAUTION

- ▶ **The Bosch Drive System adds weight to your bicycle which you may not be used to lift.** Avoid injury, use proper lifting techniques.

Using your Manual

In addition to the functions outlined here, changes to software relating to troubleshooting and functional modifications may be introduced at any time.

Graphics

The bicycle shown in this manual may differ slightly from your bicycle, but will be similar enough to help you understand our instructions.

RIGHT-HAND and LEFT-HAND sides are determined by facing in the direction the bicycle will travel when going forward. When you see a broken line (-----), the item referred to is hidden from view.

Operating your Bosch Drive System

Safety instructions



Read all the safety information and instructions. Failure to observe the safety information and follow instructions may result in electric shock, fire and/or serious injury.

Save all safety warnings and instructions for future reference.

The term **eBike battery** used in these operating instructions refers to all original Bosch eBike batteries.

- ▶ **Read and observe the safety warnings and instructions in all operating instructions of the eBike system and your eBike.**
- ▶ **Do not allow yourself to be distracted by the display of the on-board computer.** If you do not concentrate exclusively on the traffic around you, you risk being involved in an accident. If you want to change any settings on the on-board computer other than the assistance level, always stop before entering the relevant data.
- ▶ **Set the display brightness such that you can adequately see important information like speed or warning symbols.** An incorrectly set display brightness can result in dangerous situations.
- ▶ **Do not open the on-board computer.** Opening the on-board computer can result in irreparable damage and void your warranty.
- ▶ **Do not use the on-board computer as a handle.** Lifting the eBike up by the on-board computer can cause irreparable damage to the on-board computer.
- ▶ **The push assistance function must only be used when pushing the eBike.** There is a risk of injury if the wheels of the eBike are not in contact with the ground while using the push assistance.
- ▶ **When the push assistance is activated, the pedals may turn at the same time.** When the push assistance function is activated, make sure that there is enough space between your legs and the turning pedals to avoid the risk of injury.
- ▶ **When using the push assistance, ensure that you can always control the eBike and hold it securely.** The push assistance can be suspended under certain conditions (e.g. obstacle on the pedal or accidentally slipping off the button of the operating unit). The eBike can suddenly move backwards towards you or start to tip. This poses a particular risk for the user if there is an additional load. When using the push assistance on the eBike, do not place the eBike in situations in which you cannot hold the eBike by yourself.
- ▶ **Do not stand your eBike upside down on its saddle and handlebars if the on-board computer or its holder protrude from the handlebars.** This may irreparably damage the on-board computer or the holder. Also remove the on-board computer before placing the eBike on a wall mount to ensure that the on-board computer does not fall off or become damaged.
- ▶ **Caution!** When using the operating unit with *Bluetooth*[®], this may cause interference that affects other devices and systems, airplanes and medical devices (e.g. pacemakers, hearing aids). Similarly, the possibility that this may cause damage to humans and animals in the immediate vicinity cannot be completely excluded. Do not use the operating unit with *Bluetooth*[®] in the vicinity of medical devices, gas stations, chemical plants, areas with a potentially explosive atmosphere or on blast sites. Do not use the operating unit with *Bluetooth*[®] in airplanes. Avoid using the device in close proximity to your body over an extended period of time.
- ▶ The *Bluetooth*[®] wordmark and its logos are the registered trademarks and property of Bluetooth SIG, Inc. Any use of this wordmark/these logos by

Robert Bosch GmbH, Bosch eBike Systems is under license.

- ▶ **The on-board computer is fitted with a radio interface. Local operating restrictions, e.g. in airplanes or hospitals, must be adhered to.**
- ▶ **Do not enter information or make selections while riding.** Interacting with the display unit while riding can lead to accidents causing serious injury or death. You must observe road and traffic conditions, and comply with traffic laws at all times.
- ▶ **Using your mobile device while operating an eBike may be distracting. Distracted driving is a serious safety concern and can lead to accidents causing serious injury or death. In order to prevent distracted driving, most devices come equipped with a “Do Not Disturb” mode. The “Do Not Disturb” mode should be used while operating an eBike.** Please consult your device-specific instructions for more information. You, as the eBike operator, are fully responsible for ensuring that you pay attention to road conditions and comply with traffic laws at all times.
- ▶ **Do not activate push assistance function while riding on the bike.** Only use push assistance function when pushing the eBike.
- ▶ Please note that certain State or local laws may require that class III eBikes must be equipped with a functioning speedometer that displays speed in miles per hour. Riders must be aware of any and all applicable rules and regulations related to the operation or use of class III eBikes in any applicable jurisdictions before operating or otherwise using this product.

Safety Warnings for charging the on-board computer battery

- ▶ **Only charge the on-board computer with USB power source (5 V, 1000 mA max) and USB cable rated at least 1000 mA.** Using USB power source or USB cable not appropriately rated for the application may result in fire, explosion or personal injury.
- ▶ **Charge the on-board computer in temperatures above +32 degrees F (0 degrees C) and below +104 degrees F (40 degrees C). Store on-board computer in locations where temperatures will not exceed 104 degrees F (40 degrees C).** This is important to prevent serious damage to the battery in the on-board computer.
- ▶ **Do not expose on-board computer to fire or excessive temperature.** Exposure to fire or temperature above 212 °F (100 °C) may cause explosion.
- ▶ **Do not recharge the on-board computer (via USB port) in damp or wet environment.** Water entering on-board computer may result in electric shock or fire.
- ▶ **Never submerge on-board computer in fluid of any kind or allow fluid to enter them.** Corrosive or conductive fluid (such as seawater or industrial chemical or bleach containing products, etc.) can cause short circuit which may result in fire, personal injury and property damage.
- ▶ **Battery leakage may occur under extreme usage or temperature conditions. Avoid contact with skin and eyes.** The battery liquid is caustic and could cause chemical burns to tissues. If liquid comes in contact with skin, wash quickly with soap and water. If the liquid contacts your eyes, immediately flush eyes with water for a minimum of 15 minutes and seek medical attention.
- ▶ **Place on-board computer on flat nonflammable surfaces and away from flammable materials when recharging on-board computer using external USB power source.** Carpeting and other heat insulating surfaces block proper air circulation which may cause overheating of the on-board computer. If smoke or melting of the on-board computer is observed, unplug the external USB power source immediately and do not use the on-board computer. Contact customer service immediately.
- ▶ **Before each use, check the on-board computer, cable and plug.** If damage is detected, do not use the on-board computer. Damaged on-board com-

puter, charging cables and plugs increase the risk of a fire, explosion and personal injury.

- ▶ **Do not disassemble on-board computer.** No user serviceable part inside. Incorrect reassembly or damage may result in fire or explosion.

NOTICE: This device complies with part 15 of the FCC Rules. Operation is subject to the following two conditions:

1. This device must not cause harmful interference, and
2. this device must accept any interference received, including interference that may cause undesired operation.

NOTICE: Changes or modifications made to this equipment not expressly approved by the Robert Bosch GmbH may void the FCC authorization to operate this equipment.

NOTE: This equipment has been tested and found to comply with the limits for a Class B digital device, pursuant to Part 15 of the FCC Rules. These limits are designed to provide reasonable protection against harmful interference in a residential installation. This equipment generates, uses and can radiate radio frequency energy and, if not installed and used in accordance with the instructions, may cause harmful interference to radio communications. However, there is no guarantee that interference will not occur in a particular installation. If this equipment does cause harmful interference to radio or television reception, which can be determined by turning the equipment off and on, the user is encouraged to try to correct the interference by one or more of the following measures:

- Reorient or relocate the receiving antenna.
- Increase the separation between the equipment and receiver.
- Connect the equipment into an outlet on a circuit different from that to which the receiver is connected.
- Consult the dealer or an experienced radio/TV technician for help.

Radiofrequency radiation exposure Information:

The radiated output power of the device is far below the FCC radio frequency exposure limits. Nevertheless, the device shall be used in such a manner that the potential for human contact during normal operation is minimized.

This equipment complies with FCC radiation exposure limits set forth for an uncontrolled environment. This equipment should be installed and operated with minimum distance of 20 cm between the radiator and your body. This transmitter must not be co-located or operating in conjunction with any other antenna or transmitter.

ISED Notice (Canada)

This device contains licence-exempt transmitter(s)/ receiver(s) that comply with Innovation, Science and Economic Development Canada's licence-exempt RSS(s). Operation is subject to the following two conditions:

1. this device may not cause interference, and
2. this device must accept any interference, including interference that may cause undesired operation of the device.

This equipment complies with Canada radiation exposure limits set forth for an uncontrolled environment. This equipment should be installed and operated with minimum distance of 20 cm between the radiator and your body. This transmitter must not be co-located or operating in conjunction with any other antenna or transmitter.

Safety Instructions in Conjunction with the Navigation System

- ▶ **Do not plan any routes while riding. Make sure that you come to a complete stop and only input a new destination while at a standstill.** If you do not concentrate exclusively on the traffic around you, you risk being involved in an accident.
- ▶ **Discontinue following your route if the navigation system suggests a path for you to take that may be risky or dangerous for you according to your capabilities as a rider.** Allow the navigation

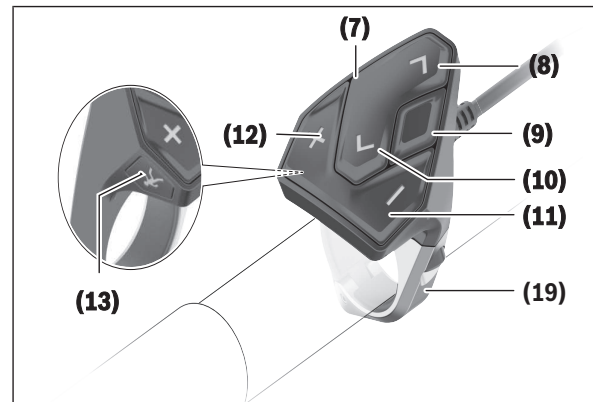
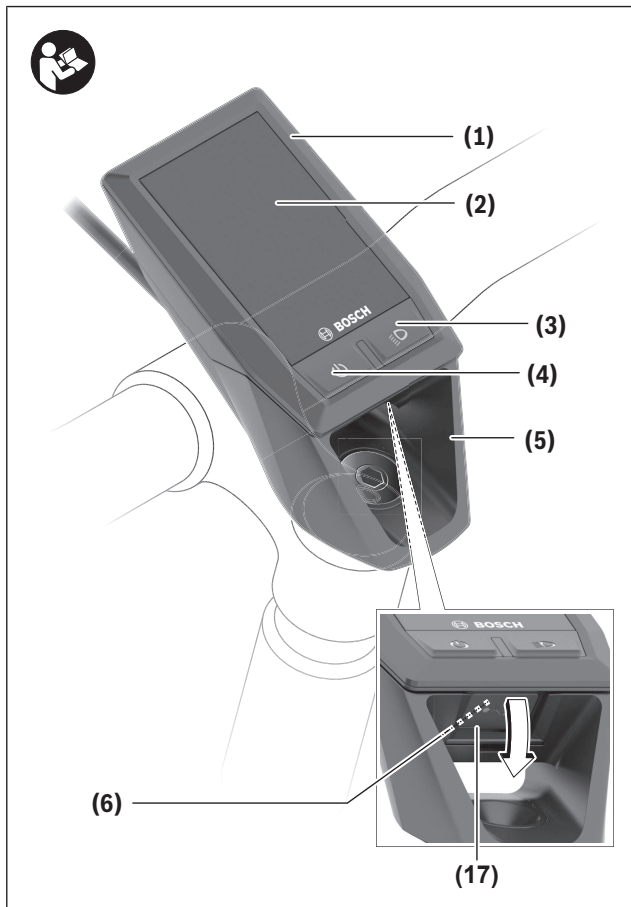
system to select an alternative route for you instead.

- ▶ **Make sure to observe all traffic signs regardless of the route proposed by the navigation system.** The navigation system is unable to take roadworks or temporary diversions into account.
- ▶ **Do not use the navigation system in circumstances where special attention must be given to safety, or if it is unclear how to proceed (road closures, diversions, etc.).** Always carry additional map sources and means of communication.
- ▶ **The navigation system instructs you to perform an unsafe or illegal maneuver.** Cancel the navigation system and choose an alternative route.
- ▶ **The navigation system directs you into an unsafe area.** Cancel the navigation system and choose an alternative route.
- ▶ **The navigation system does not direct you to the nearest emergency facility when needed.** Make an emergency call and inquire as to the quickest available route.
- ▶ **The location of the bicycle is indicated incorrectly by the navigation system.** Use a secondary source of information to determine where you are located currently.
- ▶ **The volume of the navigation system prevents you from hearing surrounding traffic while riding.** Ensure that you are able to perceive sounds from traffic in the vicinity at all times, so that you can react to potential dangers appropriately.
- ▶ NAVIGATION SERVICES ARE PROVIDED FOR PLANNING PURPOSES ONLY. INFORMATION FROM NAVIGATION SERVICES MAY DIFFER FROM ACTUAL CONDITIONS. USER MUST EXERCISE INDEPENDENT JUDGEMENT WHEN USING THE NAVIGATION SERVICES TO ENSURE THAT THE ROUTE PROVIDED BY THE NAVIGATION SERVICES IS SAFE AND APPROPRIATE FOR EBIKE USAGE.

Privacy notice

If the on-board computer is sent to Bosch Service because it requires servicing, the data stored on the on-board computer may be transmitted to Bosch.

Product Description and Specifications



- (1)** On-board computer
- (2)** Display
- (3)** Bike light button
- (4)** On/off button for on-board computer
- (5)** Holder for on-board computer
- (6)** USB port
- (7)** Operating unit
- (8)** Next page/scroll right button >
- (9)** Select button
- (10)** Previous page/scroll left button <
- (11)** Decrease assistance level button - / scroll down button
- (12)** Increase assistance level button + / scroll down button

- (13)** Push assistance button
 - (17)** USB port protective cover^{a)}
 - (19)** Holder for operating unit
- a) Available as spare part

Intended use

The **Kiox** on-board computer is designed for controlling the eBike and to display cycling data.

To access the full functionality of the Kiox on-board computer, you will need a compatible smartphone in-

stalled with the eBike Connect app (available from the App Store or Google Play Store) and a registration with the eBike Connect portal (www.ebike-connect.com).

Technical data

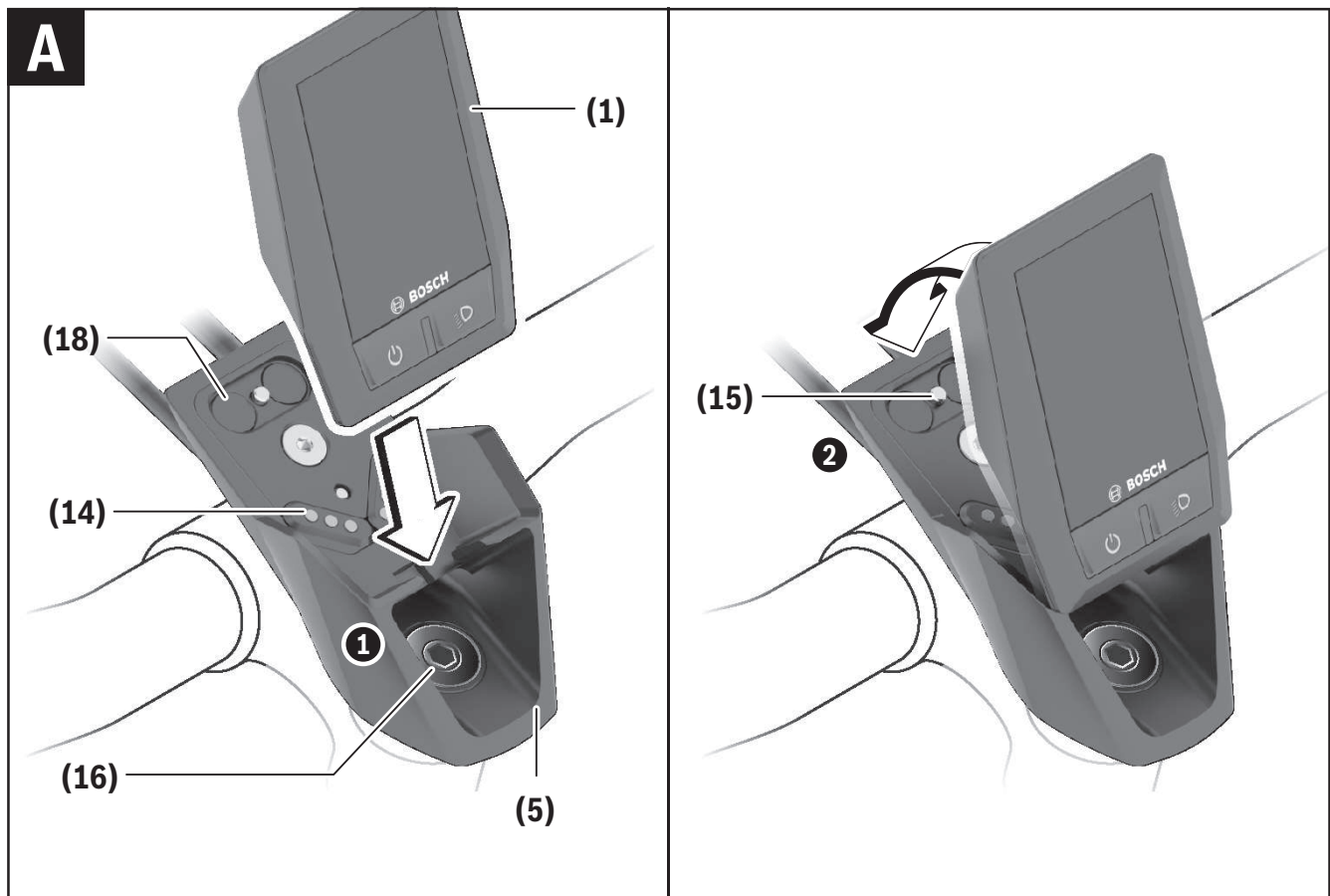
On-board computer		Kiox
Product code		BUI330
Max. charging current of USB port ^{A)}	mA	1000
USB port charging voltage	V	5
USB charging cable ^{B)}		1 270 016 360
Operating temperature	°F	+23 to +104
Charging temperature	°F	+32 to +104
Storage temperature	°F	+50 to +104
Internal lithium-ion battery	V	3.7
	mAh	230
Protection rating ^{C)}		IP55
Weight, approx.	lbs	0.13
<i>Bluetooth® Low Energy</i>		
– Frequency	MHz	2400–2480
– Transmission power	mW	< 10

A) At an ambient temperature of < 77 °F

B) Not included with the product as standard

C) When the USB cover is closed

Assembly



- (1) On-board computer
- (5) Holder for on-board computer
- (14) Drive unit contacts
- (15) Locking screw for on-board computer
- (16) Headset screw
- (18) Magnet holder

Fitting and removing the on-board computer (see figure A)

Fit the lower part of the Kiox into the holder **(5)** first and tilt it forward gently until you can feel that the on-board computer is firmly fixed in the magnetic holder. To remove the on-board computer, hold it by the top end and pull it toward you until it disengages from the magnetic holder.

- **When you park up the eBike, remove the on-board computer.**

The on-board computer can be secured in place to prevent it from being removed from the holder. To do this, loosen the headset screw **(16)** until the Kiox holder can be swiveled sideways. Put the on-board computer in the holder. Screw the locking screw (M3, 6 mm long) from below into the thread provided in the on-board computer (using a longer screw may damage the on-board computer). Swivel the holder back into place and tighten the headset screw in accordance with the manufacturer's specifications.

Operation

Before initial commissioning

The **Kiox** is supplied with a partially charged battery. Before using it for the first time, this battery must be charged for at least one hour via the USB port (see "Energy supply of the on-board computer", page English – 12) or via the eBike system.

The control unit should be attached such that the buttons are almost perpendicular to the handlebars.

When turning on the on-board computer for the first time, the language selection is displayed and then you can use the menu item **<Intro to Kiox>** to find out more about the main functions and displays. You can access this menu item again at a later time via **<Settings>** → **<Information>**.

Selecting system settings

Fit the on-board computer in the holder and proceed as follows while the bicycle is stationary: Go to the status page (use the **<** button **(10)** on the operating unit to get to the first display) and open the **<Settings>** with the select button **(9)**.

You can use the **- (11)** and **+ (12)** buttons to select the setting you want. You can open the settings, as well as any additional submenus, using the select button **(9)**. You can use the button **< (10)** to go back to the previous menu from any settings menu.

The following settings can be changed in the **<Sys settings>**:

- **<Brightness>**

- **<Time>**
- **<Date>**
- **<Time zone>**
- **<24h format>**
- **<Bright background>**
- **<Imperial units>**
- **<Language>**
- **<Factory reset>**

Starting Operation of the eBike

Requirements

The eBike can only be activated when the following requirements are met:

- A sufficiently charged eBike battery is inserted (see operating instructions for the eBike battery).
- The on-board computer is properly inserted in the holder.

Switching the eBike on/off

The following options are available for **switching on** the eBike:

- Once the on-board computer and the eBike battery are fitted, briefly press the on/off button **(4)** on the on-board computer.
- With the on-board computer inserted, push the on/off button on the eBike battery (bicycle manufacturer-specific solutions are possible when there is no access to the eBike battery on/off button; see the eBike battery operating instructions).

The drive is activated as soon as you start pedaling (except for in the push assistance function or with the assistance level **OFF**). The drive output depends on the settings of the assistance level.

As soon as you stop pedaling when in normal operation, or as soon as you have reached a speed of **20/28 mph**, the drive switches off the assistance. The drive is automatically re-activated as soon you start pedaling again and the speed is below **20/28 mph**.

The following options are available for **switching off** the eBike:

- Briefly press the on/off button **(4)** of the on-board computer.
- Switch off the eBike battery using its on/off button (bicycle manufacturer-specific solutions are possible when there is no access to the eBike battery on/off button; see the bicycle manufacturer operating instructions).
- Remove the on-board computer from its holder. If no power is drawn from the drive for about **10** minutes (e.g. because the eBike is not moving) and no button is pressed on the on-board computer or the operating unit of the eBike, the eBike will switch off automatically.

Energy supply of the on-board computer

If the on-board computer is in the holder **(5)**, a sufficiently charged eBike battery is inserted into the eBike and the eBike is switched on, then the on-board computer's internal battery is powered and charged by the eBike battery.

If the on-board computer is removed from the holder **(5)**, the power is supplied by the on-board computer's internal battery. If the charge of the on-board computer's internal battery is running low, a warning message appears on the display.

To charge the on-board computer's internal battery, slide the on-board computer back onto the holder **(5)**. Note that if you do not charge the eBike battery straight away, the eBike will automatically switch off after ten minutes of inactivity. If this hap-

pens, the on-board computer's internal battery will also stop charging.

You can also charge the on-board computer via the USB port **(6)**. To do this, open the protective cap **(17)**. Use a Micro USB cable to connect the USB port on the on-board computer to a commercially available USB charger (not included with the product as standard) or to the USB port of a computer (max. **5 V** charging voltage; max. **1000 mA** charging current).

If the on-board computer is removed from the holder **(5)**, all values of the functions are saved and are still displayed.

Following use, the USB port must be carefully resealed with the protective cap **(17)**.

If the on-board computer's internal battery is not recharged, the date and time will be retained for up to 6 months. When the on-board computer is switched on again, the date and time will be reset if a *Bluetooth*[®] connection to the app has been established and the smartphone has successfully identified the current location via GPS.

Note: The Kiox **only** charges while it is switched on.

Note: If the Kiox is switched off during charging via a USB cable, the Kiox can only be switched on again once the USB cable has been disconnected.

Note: To maximize the service life of the on-board computer's internal battery, it should be recharged for one hour every three months.

Resetting Storage Mode/Kiox

The on-board computer has an energy-saving storage mode which minimizes the rate at which the internal battery discharges. Setting to this mode erases the date and time.

This mode can only be activated by pressing and holding the on/off button **(4)** of the on-board computer (for at least eight seconds).

If the on-board computer does not start when the on/off button **(4)** is pressed briefly, the on-board computer is in storage mode.

You can deactivate storage mode by pressing the on/off button **(4)** for at least two seconds.

The on-board computer detects whether it is in fully working order. If you press and hold the on/off button **(4)** for at least eight seconds while the on-board computer is in fully working order, it will go into storage mode. If, contrary to expectations, the Kiox is not in a fully functional condition and cannot be operated, pressing and holding the on/off button **(4)** (for at least eight seconds) will reset it. After being reset, the on-board computer will restart automatically after approx. five seconds. If the Kiox does not restart, press the on/off button **(4)** for two seconds.

To reset the Kiox to its factory settings, select **<Settings>** → **<Sys settings>** → **<Factory reset>**. All user data will be lost.

Battery charge indicator of the eBike battery

The battery charge indicator of the eBike battery **d** (see "Start page", page English – 16) can be read on the status page and in the statusbar. The eBike rechargeable battery's state of charge is also indicated by the LEDs on the eBike rechargeable battery itself.

Color of the indicator	Meaning
Green	The eBike rechargeable battery is over 30 % charged.
Orange	The eBike rechargeable battery is charged between 15 % and 30 %.
Red	The eBike rechargeable battery is charged between 0 % and 15 %.
Red + !	The capacity for assisting the drive has been used up, and assistance is switched off. The remaining capacity will be provided for the bike lights

Color of the indicator	Meaning
	and the on-board computer.

If the eBike battery is being charged on the eBike, a corresponding notification will be displayed.

If the on-board computer is removed from the holder **(5)**, the state of charge that was last displayed for the eBike rechargeable battery is saved.

Setting the assistance level

On the operating unit **(7)**, you can set the level of assistance you want the eBike drive to provide you with while pedaling. The assistance level can be changed at any time, even while cycling.

Note: In some models, the assistance level may be preset and cannot be changed. There may also be fewer assistance levels available than stated here.

The following assistance levels are available as a maximum:

- **OFF:** Drive assistance is switched off. The eBike can only be moved by pedaling, as with a normal bicycle. The push assistance cannot be activated at this assistance level.
- **ECO:** Effective assistance with maximum efficiency, for maximum range
- **TOUR/TOUR+:**
 - TOUR:** Steady support, for long-range touring
 - TOUR+:** Dynamic support for natural and sporty driving (only in conjunction with **eMTB**)
- **SPORT/eMTB:**
 - SPORT:** Powerful assistance, for mountain biking and for cycling in urban traffic
 - eMTB:** Optimum assistance whatever the terrain, rapid acceleration when starting from a standstill, improved dynamics, top performance (**eMTB** is only available in combination with drive units BDU250P CX, BDU365, BDU450 CX and BDU480 CX. This also requires a software update.)
- **TURBO:** Maximum assistance even at high cadences, for biking sports

To **increase** the assistance level, press the **+** **(12)** button on the operating unit repeatedly until the de-

sired assistance level appears on the display. To **decrease** the assistance level, press the **- (11)** button. The requested drive power appears on the display **h** (see "Start page", page English – 16). The maximum drive power depends on the selected assistance level.

If the on-board computer is removed from the holder **(5)** and reinserted, the on-board computer always starts again at the assistance level **OFF**.

Switching the push assistance on/off

The push assistance aids you when pushing your eBike. The speed of this function depends on the selected gear and can reach a maximum of **3.7 mph**.

► **The push assistance function must only be used when pushing the eBike.** There is a risk of injury if the wheels of the eBike are not in contact with the ground while using the push assistance.

To **activate** the push assistance, briefly press the **WALK** button on your on-board computer. After activation, press the **+** button within 10 s and keep it pressed. The eBike drive is switched on.

Note: The push assistance cannot be activated at assistance level **OFF**.

The push assistance is **switched off** as soon as one of the following occurs:

- You release the **+** button **(12)**;
- the wheels of the eBike are locked (e.g. by applying the brakes or hitting an obstacle);
- the speed exceeds **3.7 mph**.

The push assistance function is subject to local regulations; the way it works may therefore differ from the description above. It can also be deactivated.

► **Do not activate push assistance function while riding on the bike.** Only use push assistance function when pushing the eBike.

Switching bicycle lights on/off

On the model in which the lighting is powered by the eBike system, the front and rear lights can be switched on and off at the same time via the on-board computer using the bike lights button **(3)**.

Before starting each journey, check that your bike lights are working correctly.

If the lighting is switched on, the bike light indicator **c** (see "Start page", page English – 16) lights up in the status bar of the display.

Switching the bike lights on and off has no effect on the backlighting of the display.

Creating a user ID

In order to be able to use all the functions of the on-board computer, you must register online.

With a user ID, you can analyze your ride data, plan offline routes and transfer these routes to the on-board computer.

You can set up a user ID via your **Bosch eBike Connect** smartphone app or simply at www.ebike-connect.com. Enter the details required for registration. The **Bosch eBike Connect** smartphone app is available to download free of charge from the App Store (for Apple iPhones) or from the Google Play store (for Android devices).

Connecting the On-Board Computer with the Bosch eBike Connect App

Follow these steps to establish a connection to your smartphone:

- Load the app.
- Select the tab **<My eBike>**.
- Select **<Add new eBike device>**.
- Add **Kiox**.

The app will then display an instruction to press and hold the bike lighting button **(3)** on the on-board computer for 5 seconds.

Press and hold the button **(3)** for at least 5 seconds. The on-board computer automatically activates the *Bluetooth® Low Energy* connection and switches to pairing mode.

Follow the instructions on the screen. Once pairing is complete, the user data is synchronized.

Note: The *Bluetooth®* connection does not need to be activated manually.

Activity tracking

In order to record activities, you must be registered with and logged into the eBike Connect portal or the eBike Connect app.

To record activities, you must consent to the storage of your location data either in the portal or in the app. Without this, your activities will not be shown in the portal or the app. The position is only recorded if you as a user are logged into the on-board computer.

eShift (optional)

eShift is the integration of electronic gear-shifting systems into the eBike. The eShift components are electrically connected to the drive unit by the manufacturer. The separate operating instructions describe how to operate the electronic gear-shifting systems.

eSuspension (optional)

eSuspension is the integration of electronic shock absorption and suspension elements into the eBike.

Predefined settings for the eSuspension system can be selected in the **Quick Menu**.

For details of these settings, please refer to the operating instructions provided by the eSuspension manufacturer.

eSuspension is only available in combination with the Kiox on-board computer and can only be used with the BDU450 CX, BDU480 CX and BDU490P drive units.

Lock (premium function)

The lock function is available to purchase from the **<Shop>** in the eBike Connect app. Once the lock function is switched on, the assistance from the eBike drive unit is deactivated by removing the on-board computer. Activation is then only possible via the on-board computer that is associated with the eBike.

More detailed instructions regarding this can be found in the online operating instructions at www.Bosch-eBike.com/Kiox-manual.

Software updates

Software updates are transferred from the app to the on-board computer in the background as soon as the app is connected with the on-board computer. If an update has been fully transferred, this is shown **three times** upon restarting the on-board computer. The update can then be started. The eBike should not be used during the update.

Alternatively, you can check for the presence of any updates via **<Sys settings>** and then start these.

Powering external devices from the USB port

The USB port can be used to operate or charge most devices that can be powered via USB (e.g. various mobile phones).

Charging requires the on-board computer to be mounted and a sufficiently charged eBike battery to be inserted in the eBike.

Open the protective cap **(17)** for the USB port on the on-board computer. Use the Micro A–Micro B USB charging cable (available from your Bosch eBike dealer) to connect the USB port of the external device to the USB port **(6)** of the on-board computer.

Once the electrical load has been disconnected, the USB port must be carefully resealed with the protective cap **(17)**.

► **A USB connection is not a watertight plug connection. When cycling in wet conditions, ensure no external devices are connected and that the USB port is fully covered by the protective cap (17).**

Attention: Any electrical devices connected can reduce the range of the eBike.

Displays and settings of the on-board computer

Note: All interface displays and texts on the following pages correspond to the release status of the software. The interface displays and texts may change slightly following a software update.

Operating logic

You can use the **< (10)** and **> (8)** buttons to switch between the different riding value information pages (even while riding). This way, you can keep both hands on the handlebars while cycling.

You can use the **+ (12)** and **- (11)** buttons to increase or decrease the assistance level.

The **<Settings>** that can be accessed via the **Status screen** cannot be changed while riding.

You can use the select button **(9)** to perform the following functions:

- You can access the quick menu while riding.
- You can access the settings menu from the **Status screen** while stationary.
- You can confirm values and acknowledge informative hints.
- You can exit a dialog.

If the on-board computer is removed from its holder and not switched off, it will display information regarding the last journey, as well as status information. Press the bike lights button **(3)** to go to the next page. If no button is pressed after the on-board computer is removed from the holder, it will switch itself off after 1 minute.

Screen sequence

Provided the on-board computer is fitted to the holder, you can view the following displays one after the other:

1. Start page
2. Time and range
3. Distance and journey time
4. My performance, cadence and heart rate
5. Average and maximum speed
6. Distance, range, my performance and heart rate
7. Gradient, calories burned and total distance

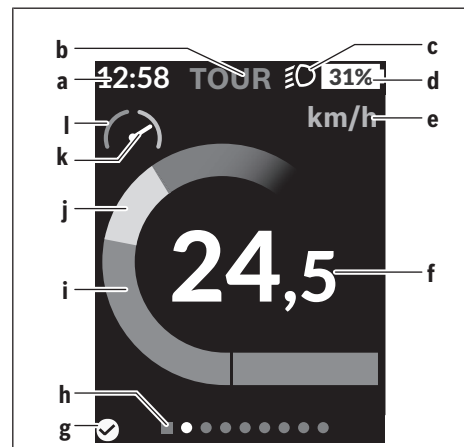
8. Information page for navigation:

<Plan a route in the eBike Connect Smartphone app>

9. Status page

Start page

When you insert the on-board computer into the holder for the first time while it is switched on, it will display the following start page. The on-board computer will then remember the most recently displayed page and will show this page again the next time it is switched on.



- a** Time/speed indicator
 - b** Assistance level indicator
 - c** Lighting indicator
 - d** Battery charge indicator of eBike battery
 - e** Unit of speed indicator^{a)}
 - f** Speed
 - g** Connection status
 - h** Navigation bar
 - i** Drive power
 - j** Your performance
 - k** Average speed
 - l** Performance evaluation
- a) Can be changed between km/h and mph via the status page **<Settings>/<Sys settings>**

The **a** ... **d** indicators form the status bar and are shown on every page. If the speed is already being displayed on the screen itself, the **a** indicator will change to the current time in hours and minutes. The status bar displays:

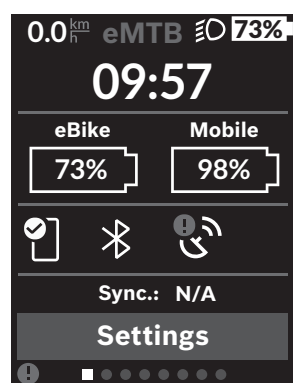
- **Speed/time:** The current speed in km/h or mph or the current time
- **Assistance level:** Indicates the current level of assistance using a color code
- **Light:** A symbol that indicates whether the light is on
- **eBike battery state of charge:** Indicates the current state of charge as a percentage

The performance evaluation **l** graphically displays your current speed in comparison to your average speed **k**.

- Indicator in orange area (left side): Below your average speed
- Indicator in green area (right side): Above your average speed
- Indicator in the middle: Corresponds to your average speed

The navigation bar **h** indicates which page you are on. Your current page is highlighted. You can use the **< (10)** and **> (8)** buttons to move to additional pages. From the initial start page, you can access the status page via the **< (10)** button.

Status screen



As well as the status bar, the status page also shows you the current time and the state of charge of all your eBike's batteries, as well as the state of charge of your smartphone battery if the smartphone is connected via *Bluetooth*®.

- ✓ Good connection
- ! Poor connection
- ✗ No connection

You will also be shown the date of the most recent synchronization between the smartphone and Kiox. You can access the **<Settings>** from the bottom section.

<Settings>

You can access the settings menu via the status page. The **<Settings>** cannot be accessed or changed while riding.

You can use the **- (11)** and **+ (12)** buttons to select the setting you want. You can open the settings, as well as any additional submenus, using the select button **(9)**. You can use the button **< (10)** to go back to the previous menu from any settings menu.

You can find the following superordinate sections on the first navigation level:

- **<Registration>** – Registration notification: This menu item is only shown if you have not yet registered on eBike Connect.
- **<My eBike>** – Settings for your eBike: You can reset the counters (such as the number of kilometers traveled that day or average values) to zero either automatically or manually, and you can reset the range. You can change the wheel circumference value that was preset by the manufacturer by $\pm 5\%$. If your eBike features **eShift**, you can also configure your eShift system here. The bicycle manufacturer or dealer may base the service date on the distance traveled and/or a period of time. The due date for the service is displayed under **<Next Service: ...>**. The bike component page displays the serial number and hardware and software versions for each component, in addition to other key data that is relevant for the components.
- **<Screens>** Here you can set the content and order of the screens, and reset these to factory settings if required.
- **<Bluetooth>** – Switching the *Bluetooth*® function on or off: Connected devices, for example heart rate monitors, are displayed.
- **<My profile>** – Active user data: Is only displayed if the user is registered.

- **<Sys settings>** – A list of options for adjusting the settings of your on-board computer:
You can display the speed and distance in kilometers or miles, display the clock in 12- or 24-hour format, adjust the time, date and time zone and select your preferred language. You can reset the Kiox to its factory settings, run a software update (if available) and choose between a black or white design.
- **<Information>** – Information about your Kiox: References to FAQs (frequently asked questions), certifications, contact information, license information
- **<Certifications>**



You can find a detailed description of each parameter in the online operating instructions at www.Bosch-eBike.com/Kiox-manual.

Quick Menu

Selected settings are displayed on the **Quick Menu**. These settings can be changed even while riding. You can access the **Quick Menu** via the select button **(9)**. It cannot be accessed from the **Status screen**.

The following settings can be changed via the **Quick Menu**:

- **<Reset trip data?>**
All data on the distance traveled so far is reset to zero.
- **<eShift>** (optional)
You can set the cadence here.
- **<eSuspension>** (optional)
This is where you can set a manufacturer-defined shock absorption or suspension mode.

Maintenance and cleaning

Do not clean any of the components with pressurized water.

Keep the display of your on-board computer clean.

Dirt can cause faulty brightness detection.

Clean your on-board computer using a soft cloth dampened only with water. Do not use cleaning products of any kind.

Have your eBike checked by an expert at least once a year (including mechanical parts, up-to-dateness of system software).

The bike retailer can also schedule the service based on a mileage and/or a time period. In this case, the on-board computer displays a message telling you when the service date is due each time it is switched on.

Please have your eBike serviced and repaired by an authorized bicycle dealer.

► **Only have repairs performed by a certified bicycle dealer.**

Troubleshooting

The eBike's components are continuously and automatically monitored. If a fault is detected, the corresponding fault code will appear on the on-board computer.

The drive may also be switched off automatically depending on what type of fault has occurred. You can

continue riding at any time without assistance from the drive, but you should have your eBike checked before completing any more journeys.

► **Only have repairs performed by a certified bicycle dealer.**

Code	Cause	Corrective measures
410	One or more buttons of the on-board computer are disabled.	Check whether any buttons are stuck, e.g. as a result of dirt finding its way in. Clean the buttons if need be.
414	Operating unit connection problem	Have the connections checked
418	One or more buttons on the operating unit are disabled.	Check whether any buttons are stuck, e.g. as a result of dirt finding its way in. Clean the buttons if need be.
419	Configuration error	Restart the system. If the problem persists, contact your Bosch eBike dealer.
422	Drive unit connection problem	Have the connections checked
423	eBike battery connection problem	Have the connections checked
424	Communication problem between components	Have the connections checked
426	Internal time-out error	Restart the system. If the problem persists, contact your Bosch eBike dealer. With this error, it is not possible to bring up the wheel circumference in the basic settings menu or to adjust it.
430	Internal battery of the on-board computer is flat (does not apply to BUI350)	Charge the on-board computer (in the holder or via the USB port)
431	Software version error	Restart the system. If the problem persists, contact your Bosch eBike dealer.
440	Internal drive unit fault	Restart the system. If the problem persists, contact your Bosch eBike dealer.
450	Internal software error	Restart the system. If the problem persists, contact your Bosch eBike dealer.
460	Error at USB port	Remove the cable from the USB port of the on-board computer. If the problem persists, contact your Bosch eBike dealer.
490	Internal fault of the on-board computer	Have the on-board computer checked

Code	Cause	Corrective measures
500	Internal drive unit fault	Restart the system. If the problem persists, contact your Bosch eBike dealer.
502	Bike light fault	Check the light and the associated wiring. Restart the system. If the problem persists, contact your Bosch eBike dealer.
503	Speed sensor fault	Restart the system. If the problem persists, contact your Bosch eBike dealer.
504	Speed signal distortion detected.	Check that the spoke magnet is positioned correctly, and adjust it if necessary. Check that nothing has been tampered with (tuning). Drive assistance is reduced.
510	Internal sensor fault	Restart the system. If the problem persists, contact your Bosch eBike dealer.
511	Internal drive unit fault	Restart the system. If the problem persists, contact your Bosch eBike dealer.
530	Battery fault	Switch off the eBike, remove the eBike battery and reinsert the eBike battery. Restart the system. If the problem persists, contact your Bosch eBike dealer.
531	Configuration error	Restart the system. If the problem persists, contact your Bosch eBike dealer.
540	Temperature error	The eBike is outside of the permissible temperature range. Switch off the eBike system and allow the drive unit to either cool down or heat up to the permissible temperature range. Restart the system. If the problem persists, contact your Bosch eBike dealer.
550	An impermissible load has been detected.	Remove the load. Restart the system. If the problem persists, contact your Bosch eBike dealer.
580	Software version error	Restart the system. If the problem persists, contact your Bosch eBike dealer.
591	Authentication error	Switch off the eBike system. Remove the battery pack and reinsert it. Restart the system. If the problem persists, contact your Bosch eBike dealer.
592	Incompatible component	Use a compatible display. If the problem persists, contact your Bosch eBike dealer.
593	Configuration error	Restart the system. If the problem persists, contact your Bosch eBike dealer.
595, 596	Communication error	Check the wiring to the drive and restart the system. If the problem persists, contact your Bosch eBike dealer.

Code	Cause	Corrective measures
602	Internal battery fault	Restart the system. If the problem persists, contact your Bosch eBike dealer.
603	Internal battery fault	Restart the system. If the problem persists, contact your Bosch eBike dealer.
605	Battery temperature error	The battery is outside of the permissible temperature range. Switch off the eBike system and allow the battery to either cool down or heat up to the permissible temperature range. Restart the system. If the problem persists, contact your Bosch eBike dealer.
606	External battery fault	Check the wiring. Restart the system. If the problem persists, contact your Bosch eBike dealer.
610	Battery voltage error	Restart the system. If the problem persists, contact your Bosch eBike dealer.
620	Charger fault	Replace the charger. Contact your Bosch eBike dealer.
640	Internal battery fault	Restart the system. If the problem persists, contact your Bosch eBike dealer.
655	Multiple battery faults	Switch off the eBike system. Remove the battery pack and reinsert it. Restart the system. If the problem persists, contact your Bosch eBike dealer.
656	Software version error	Contact your Bosch eBike dealer so that they can perform a software update.
7xx	Error relating to third-party components	Observe the information in the operating instructions of the respective component manufacturer.
Display is blank	Internal fault of the on-board computer	Restart your eBike system by switching it off and back on.

Battery Recycling Program



The drive unit, on-board computer incl. operating unit, eBike battery, speed sensor, accessories and packaging should be disposed of in an environmentally correct manner.

Do not dispose of eBikes and their components with household waste.



You may recycle your Bosch battery pack by calling 1.800.822.8837.

Table des matières

Introduction	2
À propos des avertissements.....	2
Avertissements généraux.....	2
Utilisez votre notice d'utilisation	3
Utilisation de votre système de commande Bosch	4
Consignes de sécurité	4
Description des prestations et du produit.....	8
Utilisation conforme.....	9
Caractéristiques techniques.....	9
Montage.....	10
Utilisation.....	11
Affichage et configuration de l'ordinateur de bord	17
Nettoyage et entretien.....	20
Résolution des problèmes	21
Programme de recyclage des accus.....	24

Introduction

À propos des avertissements

Cette notice contient de nombreuses mentions de danger de type **DANGER, AVERTISSEMENT** et **ATTENTION** destinées à attirer l'attention sur les conséquences d'erreurs, dans le but d'utiliser, d'assembler, d'entretenir, de conserver et d'éliminer dans les règles et en toute sécurité les vélos électriques dotés d'un système eBike Bosch.

- Le symbole de sécurité et le mot **DANGER** signalent une situation à risque élevé, qui entraîne inévitablement des blessures graves, voire la mort, si elle n'est pas évitée.

- Le symbole de sécurité et le mot **AVERTISSEMENT** signalent une situation à risque élevé, pouvant entraîner des blessures graves, voire la mort, si elle n'est pas évitée.
- Le symbole de sécurité et le mot **ATTENTION** signalent une situation à risque modéré pouvant entraîner des blessures légères ou modérées si elle n'est pas évitée.

Avertissements généraux



Lisez tous les avertissements de sécurité et toutes les instructions. Le fait de ne pas respecter les avertissements et les instructions peut entraîner des blessures graves ou mortelles.

Conservez tous les avertissements et toutes les instructions pour pouvoir s'y reporter ultérieurement.

Le terme **batterie de VAE** utilisé dans cette notice désigne toutes les batteries de VAE Bosch d'origine.

- **Lisez TOUS les manuels et TOUTES les notices jointes avant d'utiliser votre vélo pour la première fois.** Votre système d'entraînement Bosch est livré avec d'autres manuels et documents fournis par le fabricant du vélo et des autres éléments. Ne pas lire ou ne pas comprendre les informations de sécurité peut entraîner des blessures graves ou mortelles.

▲ AVERTISSEMENT

- **Cette notice contient d'importantes informations sur la sécurité, les performances et l'entretien.** Veuillez la lire avant d'utiliser votre vélo pour la première fois, et la conserver pour référence ul-

térieure. Vous pouvez également retrouver cette notice en ligne à l'adresse www.bosch-ebike.com.

- **Cette notice est destinée à être lue conjointement avec le manuel utilisateur séparé fourni avec votre vélo.** Assurez-vous de lire tous les documents fournis y compris les étiquettes apposées sur le produit avant la première utilisation.
- **Assumez la responsabilité de votre propre SÉCURITÉ.** En cas de question ou d'incompréhension, contactez votre revendeur ou le fabricant du vélo ou de l'élément.
- **Certains accessoires de l'eBike peuvent présenter un risque d'étouffement pour les petits enfants.** Conservez ces accessoires hors de portée des enfants.

▲ ATTENTION

- **Le système d'entraînement Bosch alourdit votre vélo. Vous n'avez peut-être pas l'habitude de le soulever.** Évitez de vous blesser en utilisant des techniques de levage appropriées.

Utilisez votre notice d'utilisation

Nous nous réservons le droit d'apporter à tout moment des modifications au logiciel pour corriger des erreurs ou pour modifier les fonctionnalités décrites dans la présente notice.

Graphiques

Le vélo illustré dans cette notice peut être légèrement différent de votre vélo, mais il est suffisamment similaire pour vous permettre de comprendre nos instructions.

Les côtés DROIT et GAUCHE sont déterminés en se plaçant en situation, dans le sens de la marche du vélo. Lorsqu'une ligne en pointillé (-----) apparaît, l'élément auquel il est fait référence n'est pas visible.

Utilisation de votre système de commande Bosch

Consignes de sécurité



Lisez attentivement toutes les instructions et consignes de sécurité. Le non-respect des instructions et consignes de sécurité peut provoquer un choc électrique, un incendie et/ou entraîner de graves blessures.

Conservez tous les avertissements et toutes les instructions pour pouvoir s'y reporter ultérieurement.

Le terme **batterie de VAE** utilisé dans cette notice désigne toutes les batteries de VAE Bosch d'origine.

- ▶ **Lisez et respectez les consignes de sécurité et les instructions de toutes les notices d'utilisation du système eBike, ainsi que la notice d'utilisation de votre eBike.**
- ▶ **Ne vous laissez pas distraire par l'affichage sur l'ordinateur de bord.** Si vous ne vous concentrez pas pleinement sur les conditions de circulation, vous risquez d'être impliqué dans un accident. Pour changer de niveau d'assistance et effectuer des entrées dans votre ordinateur de bord, arrêtez-vous et saisissez les données souhaitées.
- ▶ **Réglez la luminosité de l'écran de façon à pouvoir bien voir les informations importantes telles que la vitesse ou les symboles d'avertissement.** Une luminosité mal réglée peut conduire à des situations dangereuses.
- ▶ **N'ouvrez pas l'ordinateur de bord.** Le fait de l'ouvrir annule la garantie. Il risquerait par ailleurs d'être détérioré.
- ▶ **Ne vous servez pas de l'ordinateur de bord comme d'une poignée.** Si vous soulevez votre vélo en le saisissant par l'ordinateur de bord, ce dernier risque d'être endommagé irrémédiablement.
- ▶ **La fonction assistance à la poussée ne doit être utilisée que quand vous poussez le vélo électrique.** Les roues du vélo doivent être en contact avec le sol lorsque l'assistance à la poussée est utilisée, sans quoi vous risqueriez de vous blesser.
- ▶ **Quand l'assistance à la poussée est active, les pédales peuvent tourner toutes seules dans le vide.** Veillez à garder une distance suffisante entre vos jambes et les pédales lorsque l'assistance à la poussée est active. Il y a risque de blessure.
- ▶ **Lors de l'utilisation de l'assistance à la poussée, veillez à toujours garder le contrôle et la maîtrise du VAE.** Dans certaines circonstances, l'assistance à la poussée peut se désactiver (p. ex. quand une pédale bute contre un obstacle ou quand votre doigt glisse et que vous relâchez par inadvertance la touche de l'unité déportée). Le VAE peut alors reculer subitement ou basculer sur le côté. Cela peut être dangereux, surtout si le vélo est lourdement chargé. Lorsque vous utilisez l'assistance à la poussée, faites en sorte de ne pas vous retrouver dans des situations où vous risquez de ne pas avoir suffisamment de force pour tenir le vélo !
- ▶ **Ne retournez pas le vélo en prenant appui sur le guidon et la selle quand l'ordinateur de bord ou son support sont montés sur le guidon.** L'ordinateur de bord ou son support de fixation risqueraient de subir des dommages irréparables. Retirez l'ordinateur de bord avant de fixer le vélo dans un support de montage, pour éviter que l'ordinateur de bord tombe ou soit endommagé.
- ▶ **Attention !** L'utilisation du *Bluetooth*[®] pour la commande déportée peut perturber le fonctionnement d'autres appareils et installations ainsi que des avions et des équipements/dispositifs médicaux (par ex. stimulateurs cardiaques, prothèses auditives). Les ondes émises peuvent aussi avoir un effet nocif sur les personnes et les animaux qui se trouvent à proximité immédiate de l'appareil. N'utilisez pas le *Bluetooth*[®] pour la commande déportée à proximité d'appareils médicaux, de stations-ser-

vice, d'usines chimiques, ou dans des zones à risque d'explosion ou des zones de dynamitage. N'utilisez pas le *Bluetooth*® pour la commande déportée dans les avions. Évitez une utilisation prolongée très près du corps.

- ▶ Le nom de marque *Bluetooth*® et le logo associé sont des marques déposées de la Bluetooth SIG, Inc. Toute utilisation de cette marque/de ce logo par la société Robert Bosch GmbH, Bosch eBike Systems s'effectue sous licence.
- ▶ **L'ordinateur de bord est doté d'une interface radio. Observez les restrictions d'utilisation locales en vigueur, par ex. dans les avions ou les hôpitaux.**
- ▶ **N'entrez aucune information et n'effectuez aucune sélection en roulant.** Toute interaction avec l'écran pendant la conduite peut provoquer des accidents graves voire mortels. Vous devez vous concentrer pleinement sur la route et sur la circulation routière et respecter le code de la route à tout instant.
- ▶ **L'utilisation de votre téléphone mobile en roulant détourne votre attention. Toute perte d'attention compromet la sécurité et risque de provoquer des accidents graves voire mortels. La grande majorité des appareils mobiles sont dotés d'un mode « Ne pas déranger » évitant tout risque de distraction en roulant. Pour plus de sécurité, activez toujours le mode « Ne pas déranger » pendant que vous roulez.** Pour plus d'informations, consultez la notice de votre téléphone mobile. Lorsque vous utilisez votre vélo électrique, vous êtes tenu de tenir compte des conditions de circulation et de respecter le code de la route à tout instant.
- ▶ **N'activez pas l'assistance à la poussée pendant que vous roulez.** N'utilisez l'assistance à la poussée que pour pousser votre vélo électrique.
- ▶ Veuillez noter que certaines lois nationales ou locales peuvent exiger que les vélos électriques de classe III soient équipés d'un indicateur de vitesse en état de marche qui affiche la vitesse en kilo-

mètres par heure. Avant toute mise en fonctionnement ou utilisation du produit, les cyclistes doivent connaître et observer toutes les règles et réglementations applicables relatives au fonctionnement ou à l'utilisation des vélos de classe III déterminées par la juridiction concernée.

Consignes de sécurité pour la recharge de l'accu de l'ordinateur de bord

- ▶ **Ne rechargez l'ordinateur de bord que via une source d'alimentation USB (5 V, 1000 mA maxi) et un câble USB pour courant de charge d'au moins 1000 mA.** En cas d'utilisation d'une source d'alimentation USB ou d'un câble USB inadaptés, il y a risque d'incendie, d'explosion ou de blessures.
- ▶ **Rechargez l'ordinateur de bord à des températures supérieures à +32 °F (0 °C) et inférieures à +104 °F (40 °C). Rangez et conservez l'ordinateur de bord dans des endroits où la température n'excède pas 104 °F (40 °C).** Cela est important pour prévenir tout endommagement de l'accu de l'ordinateur de bord.
- ▶ **N'exposez pas l'ordinateur de bord à une source de chaleur ou à des températures excessives.** L'exposition à une source de chaleur (p. ex. flamme nue) ou à des températures supérieures à 212 °F (100 °C) risque de provoquer une explosion.
- ▶ **Ne rechargez pas l'ordinateur de bord (via la prise USB) dans un environnement moite ou humide.** Toute pénétration d'eau dans l'ordinateur de bord peut provoquer un incendie ou un choc électrique.
- ▶ **Ne plongez jamais l'ordinateur de bord dans un liquide quel qu'il soit et évitez à tout prix toute pénétration de liquide à l'intérieur.** Les liquides corrosifs ou conducteurs (eau de mer, produits chimiques, produits désinfectants type eau de Javel, etc.) peuvent provoquer des courts-circuits susceptibles de déclencher un incendie, causer des blessures ou entraîner des dommages matériels.
- ▶ **Dans des conditions d'utilisation ou à des températures extrêmes, l'accu risque de fuir. Évitez**

tout contact avec la peau et les yeux. L'électrolyte de l'accu est caustique et risque de brûler la peau et les tissus. En cas de contact avec la peau, rincez abondamment avec de l'eau et du savon. En cas de contact avec les yeux, rincez immédiatement avec de l'eau pendant au moins 15 minutes et demandez une assistance médicale.

- ▶ **Pour recharger l'ordinateur de bord avec une source d'alimentation USB externe, placez-le sur une surface plane ininflammable, loin de tout matériau inflammable.** Ne le posez pas sur de la moquette et d'autres isolants thermiques. Ils bloquent la circulation de l'air et peuvent causer une surchauffe de l'ordinateur de bord. Si vous observez un dégagement de fumée ou des traces de fusion au niveau de l'ordinateur de bord, débranchez aussitôt la source d'alimentation USB externe et n'utilisez plus l'ordinateur de bord. Contactez sans délai le service clients.
- ▶ **Contrôlez l'état de l'ordinateur de bord, du câble et de la prise avant chaque utilisation.** N'utilisez plus l'ordinateur de bord si vous constatez un quelconque dommage. Un ordinateur de bord, un câble de charge ou une prise qui ne sont pas en parfait état augmentent le risque d'incendie, d'explosion ou de blessure corporelle.
- ▶ **Ne démontez pas l'ordinateur de bord.** Il ne comporte aucune pièce réparable ou remplaçable par l'utilisateur. Un remontage incorrect peut provoquer un incendie ou une explosion.

REMARQUE : Cet appareil est conforme à la partie 15 du règlement de la FCC. L'utilisation est autorisée sous réserve des deux conditions suivantes :

1. L'appareil ne doit pas produire de brouillage, et
2. l'utilisateur de l'appareil doit accepter tout brouillage radioélectrique subi, même si le brouillage est susceptible d'en compromettre le fonctionnement.

REMARQUE : Tous les changements et toutes les modifications apportés à cet équipement qui ne sont pas approuvés de façon explicite par Robert Bosch GmbH

risquent d'annuler l'autorisation FCC d'utilisation de cet équipement.

REMARQUE : Cet équipement a été testé et déclaré conforme aux limites applicables aux appareils numériques de classe B, selon la section 15 de la réglementation FCC. Ces limites sont destinées à assurer une protection raisonnable contre les interférences nuisibles dans une installation résidentielle. Cet équipement génère, utilise et peut émettre de l'énergie radiofréquence qui, en cas d'installation et d'utilisation non conforme aux instructions, peut provoquer des interférences susceptibles de perturber les communications radio. Toutefois, rien ne garantit l'absence d'interférences dans une installation particulière. Si cet appareil produit des interférences perturbant la réception des programmes radio ou télévision (peut être mis en évidence en éteignant et rallumant l'appareil), il est conseillé à l'utilisateur d'essayer de réduire ces interférences en prenant l'une ou plusieurs des mesures suivantes :

- Modifier l'orientation ou l'emplacement de l'antenne réceptrice.
- Éloigner l'appareil du récepteur.
- Connecter l'appareil à une prise différente de celle dans laquelle est branché le récepteur.
- Demander conseil au fournisseur ou à un technicien spécialisé en radio/télévision.

Information sur l'exposition aux rayonnements radiofréquence : La puissance rayonnée par cet appareil est très inférieure aux limites d'exposition aux ondes radio définies par la FCC. Néanmoins, l'appareil doit être utilisé de façon à minimiser la possibilité de contact humain avec l'antenne en fonctionnement normal.

Cet équipement respecte les limites d'exposition aux rayonnements définies par FCC pour un environnement non contrôlé. Cet équipement doit être installé et utilisé en maintenant une distance minimale de 20 cm entre la source de rayonnement et votre corps. Cet émetteur ne doit pas être placé à proximité d'une autre antenne ou d'un autre émetteur ou être utilisé

en combinaison avec n'importe quelle autre antenne ou émetteur.

Remarques ISDE (Canada)

Cet appareil contient un/des émetteur(s)/récepteur(s) exempt(s) de licence conforme(s) aux CNR d'Innovation, Sciences et Développement économique Canada applicables aux équipements exempts de licence. L'utilisation est autorisée sous réserve des deux conditions suivantes :

1. l'appareil ne doit pas produire de brouillage, et
2. l'appareil doit accepter tout brouillage radioélectrique subi, même si le brouillage est susceptible d'en compromettre le fonctionnement.

Cet équipement respecte les limites d'exposition aux rayonnements définies par le Canada pour un environnement non contrôlé. Cet équipement doit être installé et utilisé en maintenant une distance minimale de 20 cm entre la source de rayonnement et votre corps. Cet émetteur ne doit pas être placé à proximité d'une autre antenne ou d'un autre émetteur ou être utilisé en combinaison avec n'importe quelle autre antenne ou émetteur.

Consignes de sécurité en rapport avec la navigation

- ▶ **Ne planifiez pas d'itinéraires pendant que vous roulez. Arrêtez-vous pour entrer une nouvelle destination.** Si vous ne vous concentrez pas pleinement sur la circulation routière, vous risquez d'être impliqué dans un accident.
- ▶ **Modifiez votre itinéraire si la navigation vous suggère un trajet qui s'avère risqué ou dangereux compte tenu de vos compétences de conduite.** Laissez votre appareil de navigation vous proposer un autre itinéraire.
- ▶ **Respectez toujours tous les panneaux de signalisation, même si la navigation préconise un chemin particulier.** Le système de navigation peut ne pas tenir compte des chantiers ou des déviations temporaires.
- ▶ **N'utilisez pas la navigation dans des situations critiques ou incertaines en termes de sécurité**

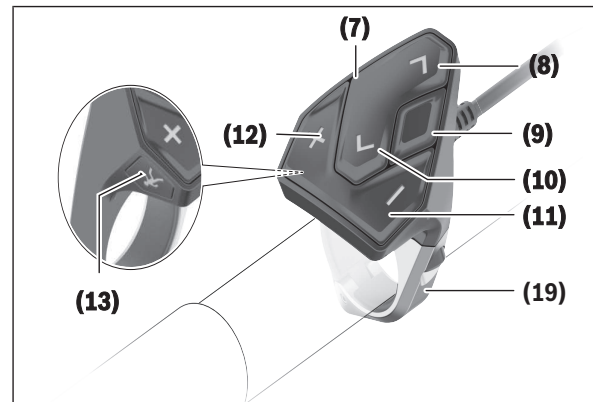
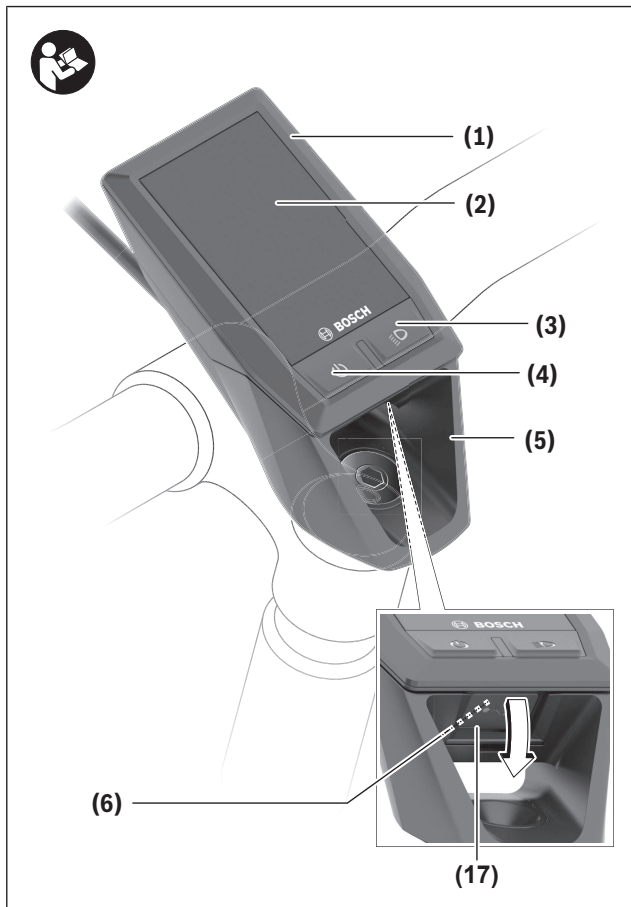
(routes barrées, déviations, etc.). Emportez toujours avec vous des cartes routières et aux moyens de communication supplémentaires.

- ▶ **Le système de navigation vous invite à effectuer une manœuvre illégale ou dangereuse sur le plan de la sécurité.** Interrompez la navigation et sélectionnez un autre itinéraire.
- ▶ **Le système de navigation vous fait passer dans une zone à risque sur le plan de la sécurité.** Interrompez la navigation et sélectionnez un autre itinéraire.
- ▶ **Le système de navigation ne vous guide pas vers le service d'urgence le plus proche en cas de nécessité.** Envoyez un appel d'urgence et renseignez-vous sur le chemin le plus direct.
- ▶ **Le système de navigation indique une position incorrecte du vélo.** Informez-vous auprès d'une autre source sur votre position actuelle.
- ▶ **Le volume du système de navigation empêche le cycliste d'entendre le trafic environnant.** Assurez-vous de pouvoir à tout moment entendre les bruits de la circulation pour pouvoir réagir à temps aux dangers.
- ▶ LES SERVICES DE NAVIGATION FOURNIS SONT UNIQUEMENT DESTINÉS À LA PLANIFICATION D'ITINÉRAIRES. LES INFORMATIONS ÉMANANT DES SERVICES DE NAVIGATION PEUVENT DIFFÉRER DES CONDITIONS RÉELLES. LES UTILISATEURS DOIVENT FAIRE PREUVE DE DISCERNEMENT LORS DE L'UTILISATION DES SERVICES DE NAVIGATION ET S'ASSURER QUE L'ITINÉRAIRE PROPOSÉ PAR LES SERVICES DE NAVIGATION EST SÛR ET ADAPTÉ AUX VÉLOS ÉLECTRIQUES.

Remarque relative à la protection des données

Quand l'ordinateur de bord est envoyé au Service Bosch pour entretien ou réparation, il se peut que les données enregistrées en mémoire soient transmises à Bosch.

Description des prestations et du produit



- (1)** Ordinateur de bord
- (2)** Écran
- (3)** Touche d'éclairage du vélo
- (4)** Touche Marche/Arrêt de l'ordinateur de bord
- (5)** Support de fixation ordinateur de bord
- (6)** Prise USB
- (7)** Unité de commande
- (8)** Touche Défilement vers l'avant/la droite >
- (9)** Touche de sélection
- (10)** Touche Défilement vers l'arrière/la gauche <
- (11)** Touche réduction de l'assistance - /
Touche défilement vers le bas
- (12)** Touche augmentation de l'assistance + /
Touche défilement vers le haut

- (13)** Touche de l'assistance à la poussée
 - (17)** Cache protecteur de la prise USB^{a)}
 - (19)** Support de l'unité de commande
- a) disponible en tant que pièce de rechange

Utilisation conforme

L'ordinateur de bord **Kiox** sert à commander le vélo électrique et à afficher les données de parcours. Pour pouvoir utiliser toutes les fonctions de l'ordinateur de bord Kiox, vous avez besoin d'un smartphone

compatible doté de l'application Bosch eBike Connect (disponible dans l'App Store ou dans le Google Play Store) et de vous inscrire sur le portail eBike Connect (www.ebike-connect.com).

Caractéristiques techniques

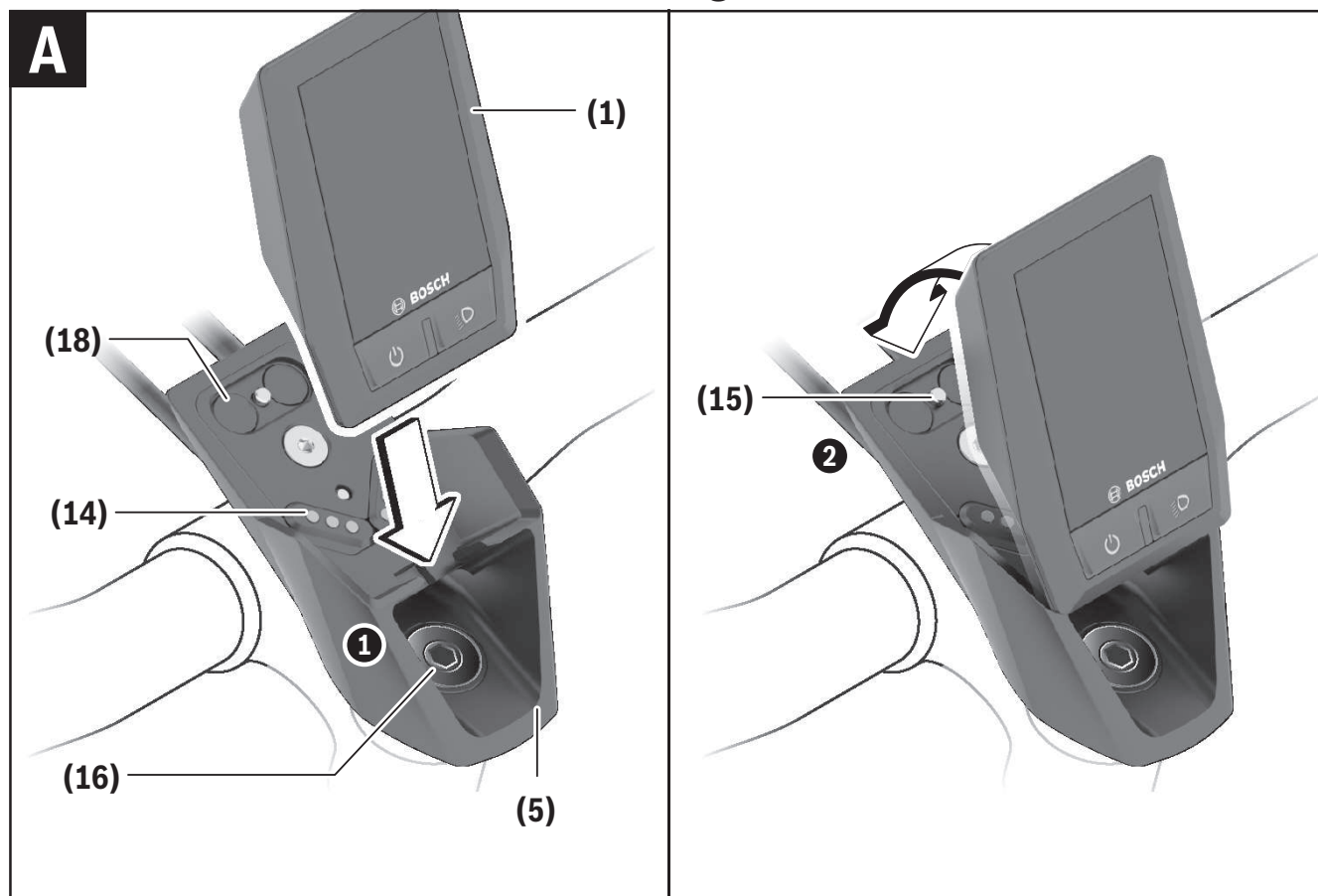
Ordinateur de bord		Kiox
Code produit		BUI330
Courant de charge maxi de la prise USB ^{A)}	mA	1000
Tension de charge de la prise USB	V	5
Câble de charge USB ^{B)}		1 270 016 360
Températures de fonctionnement	°F	+23 ... +104
Températures de charge	°F	+32 ... +104
Températures de stockage	°F	+50 ... +104
Accu Li-ion interne	V mAh	3,7 230
Indice de protection ^{C)}		IP55
Poids (approx.)	lbs	0,13
<i>Bluetooth® Low Energy</i>		
– Fréquence	MHz	2 400–2 480
– Puissance d'émission	mW	< 10

A) à une température ambiante < 77 °F

B) non compris dans la fourniture d'origine

C) quand le cache de protection USB est fermé

Montage



- (1)** Ordinateur de bord
- (5)** Support de fixation ordinateur de bord
- (14)** Contacts vers l'unité d'entraînement
- (15)** Vis de blocage de l'ordinateur de bord
- (16)** Vis de jeu de direction
- (18)** Support magnétique

Mise en place et retrait de l'ordinateur de bord (voir figure A)

Positionnez d'abord la partie inférieure contre le support de fixation **(5)** et rabattez-la légèrement vers l'avant jusqu'à ce que l'ordinateur de bord s'enclenche dans le support magnétique.

Pour retirer l'ordinateur de bord, saisissez-le à sa partie supérieure et tirez-le vers vous jusqu'à ce qu'il se détache du support magnétique.

► **Retirez l'ordinateur de bord lorsque vous garez votre vélo électrique.**

Il est également possible de verrouiller l'ordinateur de bord dans son support pour qu'il ne puisse pas être enlevé. Desserrez pour cela la vis de jeu de direction **(16)** jusqu'à ce que le support de fixation du Kiox puisse être basculé sur le côté. Placez l'ordinateur de bord sur son support. Vissez par en dessous la vis de blocage (filetage M3, 6 mm de long) dans le trou fileté de l'ordinateur de bord prévu à cet effet (en cas d'utilisation d'une vis plus longue, l'ordinateur de bord risque d'être endommagé). Remplacez le support dans sa position normale et serrez la vis de jeu de direction conformément aux indications du fabricant.

Utilisation

Avant de prendre la route pour la première fois

L'ordinateur de bord **Kiox** est livré avec un accu partiellement chargé. Avant la première utilisation, chargez l'accu pendant au moins 1 h via la prise USB (voir « Alimentation en énergie de l'ordinateur de bord », Page Français – 12) ou via le vélo électrique.

Positionnez la commande déportée de façon à ce que les touches se trouvent presque à la verticale du guidon.

Lors de la première utilisation, il apparaît d'abord la sélection de langue. Une fois la langue choisie, vous pouvez avec l'option de menu **<Présent. de Kiox>** obtenir des explications sur les fonctions essentielles et les principaux affichages. L'option de menu peut aussi être sélectionnée ultérieurement via **<Configuration>** → **<Informations>**.

Sélection des paramètres du système

Placez l'ordinateur de bord dans son support de fixation et procédez comme suit quand le vélo est à l'arrêt :

Faites apparaître le masque d'état (en actionnant la touche **<(10)>** de l'unité déportée jusqu'au premier affichage) et sélectionnez-le avec la touche de sélection **(9) <Configuration>**.

Sélectionnez le réglage souhaité avec les touches **– (11)** et **+ (12)** et activez-le ainsi que les sous-menus

éventuels avec la touche de sélection **(9)**. La touche **<(10)>** permet de revenir au menu précédent à partir du menu Paramètres.

Vous pouvez sous **<Config. système>** effectuer les réglages suivants :

- **<Luminosité>**
- **<Heure>**
- **<Date>**
- **<Fuseau horaire>**
- **<24 h>**
- **<Fond lumin>**
- **<Impériales>**
- **<Langue>**
- **<Réinitialisation>**

Mise en service du VAE

Conditions préalables

Le VAE ne peut être activé que si les conditions suivantes sont réunies :

- La batterie de VAE utilisée est suffisamment chargée (voir la notice d'utilisation de la batterie).
- L'ordinateur de bord est correctement inséré dans son support.

Mise en marche/arrêt du VAE

Pour **mettre en marche** le vélo électrique, vous avez plusieurs possibilités :

- L'ordinateur de bord et la batterie étant en place sur le vélo, appuyez brièvement une fois sur la touche Marche/Arrêt **(4)** de l'ordinateur de bord.
- L'ordinateur de bord étant en place dans son support, appuyez sur la touche Marche/Arrêt de la batterie de VAE (certains fabricants de vélos proposent des solutions sans accès possible à la touche Marche/Arrêt de la batterie ; voir la notice d'utilisation de la batterie de VAE).

Le système d'entraînement est activé dès que vous appuyez sur les pédales (sauf quand l'assistance à la poussée est active ou avec le niveau d'assistance **OFF**). La puissance d'entraînement dépend du niveau d'assistance réglé.

Dès que vous arrêtez de pédaler en mode normal ou dès que vous avez atteint une vitesse de **20/28 mph**, la Drive Unit désactive l'assistance. La Drive Unit se réactive automatiquement dès que vous vous mettez à pédaler et que la vitesse est inférieure à **20/28 mph**.

Pour **éteindre** le vélo électrique, vous avez plusieurs possibilités :

- Actionnez brièvement la touche Marche/Arrêt **(4)** de l'ordinateur de bord.
- Désactivez la batterie de VAE en actionnant sa touche Marche/Arrêt (certains fabricants de vélos proposent des solutions sans accès possible à la touche Marche/Arrêt de la batterie ; voir la notice d'utilisation de la batterie).
- Retirez l'ordinateur de bord de son support.

Si la Drive Unit n'est pas sollicitée pendant **10** minutes (du fait par ex. que le vélo est à l'arrêt) et que dans le même temps aucune touche de l'ordinateur de bord ou de la commande déportée de votre vélo électrique n'est actionnée, le vélo électrique s'éteint automatiquement.

Alimentation en énergie de l'ordinateur de bord

Trois conditions doivent être réunies pour que la batterie du vélo électrique alimente en énergie et charge l'accu interne de l'ordinateur de bord : L'ordinateur de bord doit être en place dans son support **(5)**, la batterie du VAE doit être suffisamment chargée et le VAE doit être activé.

Après avoir été retiré de son support **(5)**, l'ordinateur de bord est alimenté en énergie par son accu interne. Si la charge de l'accu interne de l'ordinateur de bord est faible, un message d'avertissement s'affiche à l'écran.

Pour recharger l'accu interne de l'ordinateur de bord, remplacez-le sur son support **(5)**. Ayez à l'esprit que si vous n'êtes pas en train de recharger la batterie de votre vélo, celui-ci se désactive automatiquement au bout de 10 minutes en l'absence d'actionnement d'une touche. Dans ce cas, l'accu interne de l'ordinateur de bord cessera lui aussi d'être rechargé.

Vous pouvez également recharger l'ordinateur de bord via la prise USB **(6)**. Pour cela, ouvrez le capuchon de protection **(17)**. Branchez la prise USB de l'ordinateur de bord via un câble micro-USB compatible à un chargeur USB standard (pas fourni) ou à la prise USB d'un ordinateur (tension de charge maxi de **5 V**, courant de charge maxi **1000 mA**).

Après avoir retiré l'ordinateur de bord de son support **(5)**, toutes les valeurs des fonctions restent sauvegardées et peuvent continuer à être affichées.

Après utilisation, remettez soigneusement en place le cache de protection **(17)** sur la prise USB.

Sans recharge de l'accu interne de l'ordinateur de bord, la date et l'heure seront conservées pendant 6 mois maximum. Après le redémarrage, la date et l'heure seront actualisées si l'ordinateur de bord est connecté à l'application mobile via *Bluetooth*® et si la géolocalisation GPS est activée sur le smartphone.

Remarque : Le Kiox ne se recharge **que** quand il est en marche.

Remarque : Si le Kiox est éteint alors qu'il est en train d'être rechargé via le câble USB, il ne pourra être réactivé qu'après avoir débranché le câble USB.

Remarque : Pour prolonger au maximum la durée de vie de l'accu interne de l'ordinateur de bord, il est conseillé de le recharger pendant une heure tous les trois mois.

Mode de stockage/réinitialisation du Kiox

L'ordinateur de bord dispose d'un mode de stockage faible consommation réduisant fortement la décharge de l'accu interne. La date et l'heure sont alors effacées.

Pour activer ce mode, actionnez de manière prolongée (au moins 8 s) la touche Marche/Arrêt **(4)** de l'ordinateur de bord.

Si l'ordinateur de bord ne s'active pas lors d'un appui court de la touche Marche/Arrêt **(4)**, c'est qu'il se trouve en mode de stockage.

Pour quitter le mode de stockage, actionnez la touche Marche/Arrêt **(4)** pendant au moins 2 s.

L'ordinateur de bord reconnaît s'il se trouve dans un état pleinement fonctionnel. Quand il se trouve dans un état pleinement fonctionnel, un appui prolongé (au moins 8 s) de la touche Marche/Arrêt **(4)** déclenche le passage en mode de stockage. Quand le Kiox est complètement bloqué ou ne se trouve pas dans un état fonctionnel, un appui prolongé (au moins 8 s) de la touche Marche/Arrêt **(4)** a pour effet de le réinitialiser. Au terme de la réinitialisation, l'ordinateur de bord se remet automatiquement en marche après env. 5 s. Si le Kiox ne redémarre pas, actionnez la touche Marche/Arrêt **(4)** pendant 2 s.

Pour réinitialiser le Kiox et restaurer les réglages usine, sélectionnez **<Configuration>** → **<Config. système>** → **<Réinitialisation>**. Toutes les données utilisateur sont alors perdues.

Indicateur de niveau de charge de la batterie du VAE

Le niveau de charge de la batterie du vélo **d** (voir « Masque de départ », Page Français – 17) apparaît dans le masque d'état et sur la ligne d'état. Le niveau

de charge de la batterie du vélo électrique est également indiqué par les LED de la batterie proprement dite.

Couleur de l'affichage	Explication
vert	La batterie du vélo électrique est chargée à plus de 30 %.
orange	La batterie du vélo électrique est chargée entre 15 % et 30 %.
rouge	La batterie du vélo électrique est chargée entre 0 % et 15 %.
rouge + !	La capacité à disposition pour l'assistance électrique est épuisée. L'assistance est désactivée. La capacité restante de la batterie sera utilisée pour l'éclairage du vélo et pour l'ordinateur de bord.

Si la batterie du vélo est chargée, un message le signale.

Si l'ordinateur de bord est retiré de son support **(5)**, le dernier niveau de charge affiché de la batterie du vélo restera mémorisé.

Réglage du niveau d'assistance

Vous pouvez sélectionner sur la commande déportée **(7)** le niveau d'assistance au pédalage. Le niveau d'assistance peut être modifié à tout moment, même en roulant.

Remarque : Sur certaines versions, le niveau d'assistance est préréglé et ne peut pas être modifié. Sur d'autres, il peut y avoir moins de niveaux d'assistance que ce qui est indiqué ici.

Les niveaux d'assistance suivants sont disponibles :

- **OFF :** l'assistance électrique est désactivée, le vélo se comporte comme un vélo normal sans assistance. L'assistance à la poussée ne peut pas être activée.

- **ECO** : assistance de base avec le rendement maximal, pour disposer de l'autonomie maximale
- **TOUR/TOUR+** :
TOUR : assistance uniforme, pour disposer d'une grande autonomie lors de grands trajets
TOUR+ : assistance dynamique pour une conduite naturelle et sportive (seulement en combinaison avec **eMTB**)
- **SPORT/eMTB** :
SPORT : assistance puissante pour les parcours sportifs sur chemins montagneux ainsi que pour la circulation urbaine
eMTB : assistance optimale sur tous les terrains, démarrage sportif, dynamique améliorée, performances maximales (**eMTB** seulement disponible avec les Drive Units BDU250P CX, BDU365, BDU450 CX et BDU480 CX. Une mise à jour logicielle est parfois nécessaire.)
- **TURBO** : assistance maximale jusqu'à des fréquences de pédalage élevées, pour une conduite sportive

Pour **augmenter** le niveau d'assistance, appuyez sur la touche **+** (**12**) de l'unité de commande, jusqu'à ce que le niveau d'assistance souhaité s'affiche à l'écran. Pour **réduire** le niveau d'assistance, appuyez sur la touche **-** (**11**).

La puissance d'entraînement actuelle apparaît au niveau de l'affichage **h** (voir « Masque de départ », Page Français – 17). La puissance d'entraînement maximale dépend du niveau d'assistance sélectionné. Lorsque l'ordinateur est retiré de son support (**5**) puis réinséré, il redémarre automatiquement avec le niveau d'assistance **OFF**.

Activation/désactivation de l'assistance à la poussée

L'assistance à la poussée vous permet de pousser le vélo électrique en exerçant moins d'effort. La vitesse atteignable avec cette fonction dépend de la vitesse sélectionnée sur le dérailleur. Elle est au maximum de **3,7 mph**.

- **La fonction assistance à la poussée ne doit être utilisée que quand vous poussez le vélo électrique.** Les roues du vélo doivent être en contact avec le sol lorsque l'assistance à la poussée est utilisée, sans quoi vous risqueriez de vous blesser.

Pour **activer** l'assistance à la poussée, actionnez brièvement la touche **WALK** de votre ordinateur de bord. Après l'activation, appuyez dans les 10 secondes qui suivent sur la touche **+** et maintenez-la enfoncée. L'assistance électrique eBike est alors activée.

Remarque : L'assistance à la poussée n'est pas activable dans le niveau d'assistance **OFF**.

L'assistance à la poussée **se désactive** dès que l'une des situations suivantes se produit :

- vous relâchez la touche **+** (**12**),
- les roues du vélo électrique se bloquent (par ex. si vous actionnez les freins ou heurtez un obstacle),
- la vitesse devient supérieure à **3,7 mph**.

Le fonctionnement de l'assistance de poussée est tributaire de la législation en vigueur dans chaque pays et peut donc différer de ce qui a été indiqué ci-dessus. L'assistance à la poussée peut même être désactivée.

- **N'activez pas l'assistance à la poussée pendant que vous roulez.** N'utilisez l'assistance à la poussée que pour pousser votre vélo électrique.

Activation/désactivation de l'éclairage du vélo

Sur les vélos où l'éclairage est alimenté par le système d'assistance électrique, le phare avant et le feu arrière peuvent être allumés et éteints simultanément en actionnant la touche (**3**) de l'ordinateur de bord. Vérifiez le fonctionnement de l'éclairage du vélo avant chaque départ.

Quand l'éclairage est allumé, l'affichage éclairage vélo **c** (voir « Masque de départ », Page Français – 17) s'allume sur la barre d'état de l'écran.

Le fait d'allumer ou d'éteindre l'éclairage du vélo n'a aucune incidence sur le rétro-éclairage de l'écran.

Création d'un identifiant

Pour pouvoir utiliser toutes les fonctions de l'ordinateur de bord, vous devez vous inscrire en ligne.

Un identifiant vous permet entre autres d'afficher vos données de parcours, de planifier vos itinéraires en mode hors connexion puis de les transférer vers l'ordinateur de bord.

Vous pouvez créer un identifiant de deux façons : dans l'application **Bosch eBike Connect** de votre smartphone ou directement sur le site www.ebike-connect.com. Pour vous inscrire, renseignez les données requises. L'application **Bosch eBike Connect** est téléchargeable gratuitement dans l'App Store (pour les iPhones Apple) ou dans le Google Play Store (pour les smartphones Android).

Connexion de l'ordinateur de bord à l'application Bosch eBike Connect

Pour établir une connexion avec le smartphone, procédez comme suit :

- Ouvrez l'application.
- Sélectionnez l'onglet **<Mon VAE>**.
- Sélectionnez **<Ajouter un nouveau VAE>**.
- Ajoutez **Kiox**.

Il apparaît alors dans l'application un message vous invitant à actionner sur l'ordinateur de bord la touche éclairage vélo **(3)** pendant 5 s.

Actionnez la touche **(3)** pendant 5 s. L'ordinateur de bord active automatiquement la connexion *Bluetooth® Low Energy* et passe dans le mode appairage.

Suivez les indications apparaissant sur l'écran. Au terme de la procédure d'appairage, les données utilisateur sont synchronisées.

Remarque : La connexion *Bluetooth®* ne doit pas être activée manuellement.

Le suivi des déplacements

Pour enregistrer les activités, il est nécessaire de vous inscrire ou connecter sur le portail eBike Connect ou l'application Bosch eBike Connect.

Pour saisir les activités, vous devez accepter la mémorisation des données de position sur le portail et dans l'application. Il n'est sinon pas possible d'afficher vos activités sur le portail ou l'application. Pour que la position soit enregistrée, il faut que vous soyez connecté en tant qu'utilisateur sur l'ordinateur de bord.

eShift (optionnel)

eShift indique que le vélo électrique intègre un système de changement de vitesses électronique. Les composants eShift sont reliés électriquement à la Drive Unit par le fabricant. Les systèmes de passage de vitesses électroniques sont décrits dans une notice d'utilisation à part.

eSuspension (optionnel)

eSuspension indique que le vélo électrique intègre des éléments d'amortissement et de suspension électroniques. Vous pouvez dans le **Menu rapide** sélectionner des réglages prédéfinis pour le système eSuspension.

Pour plus de détails sur les réglages, consultez la notice d'utilisation eSuspension.

eSuspension n'est disponible qu'avec l'ordinateur de bord Kiox et en combinaison avec les Drive Units BDU450 CX, BDU480 CX et BDU490P.

Lock (fonction premium)

La fonction Lock peut être achetée dans la **<Acheter>** de l'application eBike Connect. Après avoir activé la fonction Lock, l'assistance électrique de l'unité d'entraînement est désactivée lors du retrait de l'ordinateur de bord. Elle ne peut être activée qu'à partir de l'ordinateur de bord du vélo électrique.

Vous trouverez des instructions détaillées dans la notice d'utilisation en ligne sous www.Bosch-eBike.com/Kiox-manual.

Mises à jour logicielles

Les mises à jour logicielles sont transférées en arrière-plan de l'application vers l'ordinateur de bord dès que l'application est connectée à l'ordinateur de bord. La transmission réussie d'une mise à jour est si-

gnalée **trois fois** lors du redémarrage de l'ordinateur de bord. Il est conseillé de ne pas utiliser le vélo pendant la durée de la mise à jour.

Vous pouvez aussi contrôler sous **<Config. système>** si une mise à jour est disponible et, si oui, la démarrer.

Alimentation en énergie d'appareils externes via la prise USB

La prise USB peut être utilisée pour faire fonctionner ou pour recharger la plupart des appareils pouvant être alimentés via un câble USB (par ex. téléphones portables).

Pour pouvoir recharger un appareil, il faut l'ordinateur de bord soit logé dans son support et qu'une batterie suffisamment chargée soit en place sur le vélo électrique.

Ouvrez le cache de protection **(17)** de la prise USB de l'ordinateur de bord. Connectez la prise USB de l'appareil externe à la prise USB **(6)** de l'ordinateur de bord au moyen d'un câble USB Micro A – Micro B normalisé (disponible chez votre revendeur VAE Bosch). Après avoir déconnecté le consommateur électrique, remettez soigneusement en place le cache de protection **(17)** sur la prise USB.

► **Une connexion USB n'est pas étanche à l'eau. En cas de trajets sous la pluie, ne branchez aucun appareil externe à la prise USB et assurez-vous que le cache de protection (17) est bien en place.**

Attention : Le fait de brancher des consommateurs électriques à la prise peut réduire l'autonomie du vélo électrique.

Affichage et configuration de l'ordinateur de bord

Remarque : Toutes les représentations écran et textes d'interface des pages suivantes se rapportent à la version initiale du logiciel au moment de sa mise sur le marché. Il peut arriver après une mise à jour que les représentations écran et/ou texte d'interface diffèrent quelque peu.

Logique de commande

Les touches **< (10)** et **> (8)** permettent de sélectionner, aussi bien à l'arrêt qu'en roulant, les différents masques contenant des formations sur la conduite et le parcours. Vous pouvez ainsi garder les deux mains sur le guidon lorsque vous roulez.

Les touches **+ (12)** et **- (11)** permettent d'augmenter et de réduire le niveau d'assistance.

Les **<Configuration>** sélectionnables à partir du **Écran d'état** ne sont pas modifiables pendant que vous roulez.

La touche de sélection **(9)** remplit les fonctions suivantes :

- Elle permet d'accéder au menu rapide pendant la conduite.
- Elle permet d'appeler à l'arrêt le menu Paramètres dans le **Écran d'état**.
- Elle permet de valider des valeurs et des informations.
- Elle permet de quitter un dialogue.

Au cas où l'ordinateur de bord est retiré de son support mais pas éteint, sur l'écran s'affichent des informations relatives au dernier parcours ainsi que des informations d'état. La touche d'éclairage **(3)** permet de passer au masque d'écran suivant.

Après avoir été retiré de son support, l'ordinateur de bord s'éteint au bout d'1 minute si aucune touche n'est actionnée.

Ordre de défilement des masques d'écran

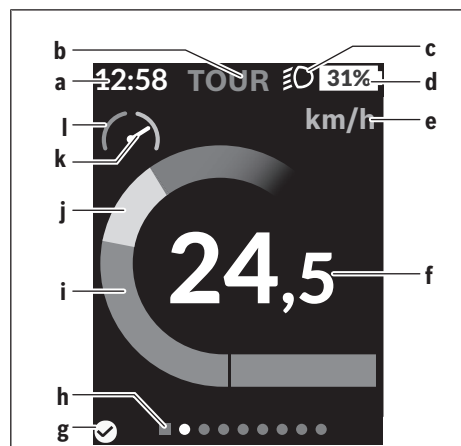
Quand l'ordinateur de bord est en place dans son support, vous pouvez sélectionner successivement les affichages suivants :

1. Masque de départ

2. Heure et autonomie
3. Parcours et durée de roulage
4. Ma puissance, fréquence de pédalage et fréquence cardiaque
5. Vitesse moyenne et vitesse maximale
6. Parcours, autonomie, ma puissance et fréquence cardiaque
7. Dénivelé, calories dépensées et kilométrage total parcouru
8. Masque d'information pour la navigation : **<Planifier un itinéraire dans l'application eBike Connect pour smartphones>**
9. Masque d'état

Masque de départ

Lorsque vous placez pour la première fois l'ordinateur de bord allumé dans son support, il apparaît le masque de départ. L'ordinateur de bord se souvient ensuite du dernier masque affiché et ce dernier réapparaît automatiquement lors de la prochaine mise en marche de l'ordinateur.



- a Affichage heure/vitesse
- b Niveau d'assistance
- c Affichage éclairage vélo
- d Indicateur de niveau de charge de la batterie du VAE
- e Affichage unité de vitesse^{a)}

- f** Vitesse de roulage
- g** État de la connexion
- h** Barre d'orientation
- i** Puissance d'entraînement
- j** Puissance de pédalage
- k** Vitesse moyenne
- l** Évaluation de performance

a) Il est possible via le masque d'état **<Configuration>/<Config. système>** de commuter entre km/h et mph

Les affichages **a...d** forment la barre d'état, ils apparaissent dans chaque masque d'écran. Si la vitesse apparaît déjà dans le masque proprement dit, elle est remplacée par l'heure actuelle (en heures et minutes) au niveau de l'affichage **a**. La barre d'état fournit les informations suivantes :

- **Vitesse/heure** : la vitesse actuelle en km/h ou mph/l'heure actuelle
- **Niveau d'assistance** : le niveau d'assistance sélectionné sous forme de codage couleur
- **Éclairage** : symbole « éclairage » quand l'éclairage du vélo est allumé
- **État de charge batterie vélo** : niveau de charge actuel du vélo électrique en %

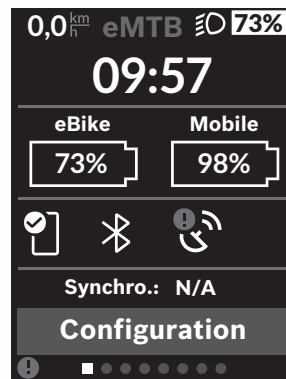
Au niveau de l'évaluation de performance **l** est représentée sous forme graphique la vitesse momentanée par rapport à votre vitesse moyenne **k**.

- Aiguille dans la zone orange (côté gauche) : vitesse momentanée inférieure à la vitesse moyenne
- Aiguille dans la zone verte (côté gauche) : vitesse momentanée supérieure à la vitesse moyenne
- Aiguille au centre : la vitesse momentanée correspond exactement à la vitesse moyenne

La barre d'orientation **h** vous indique dans quel masque d'écran vous vous trouvez. Le masque d'écran actuel apparaît en surbrillance. Les touches **< (10)** et **> (8)** permettent de changer de masque d'écran.

À partir du masque de départ, vous atteignez le masque d'état en actionnant la touche **< (10)**.

Écran d'état



Le masque d'état affiche, en plus de la barre d'état, l'heure actuelle, le niveau de charge de toutes les batteries de votre vélo électrique et l'état de charge de l'accu de votre smartphone si le smartphone est connecté via *Bluetooth®*.

- ✓ Bonne connexion
- ! Mauvaise connexion
- ✗ Pas de connexion

Il apparaît également la date de la dernière synchronisation entre smartphone et Kiox.

Tout en bas, vous pouvez accéder aux **<Configuration>**.

<Configuration>

Le menu Paramètres est accessible à partir du masque d'état. Les **<Configuration>** ne sont pas accessibles et modifiables pendant que vous roulez. Sélectionnez le réglage souhaité avec les touches **- (11)** et **+ (12)** et activez-le ainsi que les sous-menus éventuels avec la touche de sélection **(9)**. La touche **< (10)** permet de revenir au menu précédent à partir du menu Paramètres.

Dans le premier niveau de navigation, vous trouverez les rubriques suivantes :

- **<Inscription>** – Remarques sur l'inscription : Cette option de menu n'apparaît que si vous ne vous êtes pas encore inscrit sur eBike Connect.
- **<Mon VAE>** – Réglages relatifs à votre vélo électrique :

Vous pouvez remettre à zéro automatiquement ou manuellement les compteurs (kilométrage journalier, valeurs moyennes, etc.) et l'autonomie. Vous pouvez modifier de $\pm 5\%$ la circonférence de roue pré-réglée par le fabricant. Si votre vélo électrique est doté d'un système **eShift**, vous pouvez ici confi-

gurer aussi votre système eShift. Le fabricant de vélos ou concessionnaire de vélos peut programmer un certain kilométrage et/ou intervalle de temps comme échéance d'entretien. **<Prochain entretien: ...>** vous indique l'échéance du prochain entretien. Sur la page Composants VAE sont affichés le numéro de série, les versions matérielle et logicielle ainsi que d'autres caractéristiques importantes de chaque composant.

- **<Écrans>** Permet de modifier le contenu et l'ordre des écrans ou d'effectuer une réinitialisation complète.
- **<Bluetooth>** – Activation/désactivation de la fonction *Bluetooth*[®] : affichage des appareils connectés (p. ex. cardiofréquence-mètre).
- **<Mon profil>** – Données de l'utilisateur actif
N'apparaît que si l'utilisateur s'est inscrit.
- **<Config. système>** – Une liste des options pour le réglage de votre ordinateur de bord :
Vous permet d'afficher la vitesse et la distance en kilomètres ou en miles, l'heure au format 12 heures ou 24 heures, de sélectionner l'heure, la date et le fuseau horaire et de choisir la langue de votre choix. Vous pouvez réinitialiser le Kiox, démarrer une mise à jour du logiciel (si disponible) et choisir entre un design noir ou un design blanc.
- **<Informations>** – Informations sur votre Kiox :
Remarques sur la FAQ (Foire Aux Questions), certifications, données de contact, informations sur les licences.

– **<Certificats>**



Vous trouverez une description détaillée des différents paramètres dans la notice d'utilisation en ligne disponible à l'adresse www.Bosch-eBike.com/Kiox-manual.

Menu rapide

Le **Menu rapide** affiche certains réglages pouvant aussi être modifiés pendant que vous roulez.

Le **Menu rapide** est accessible à l'aide de la touche de sélection **(9)**. Il n'est pas accessible à partir du **Écran d'état**.

Le **Menu rapide** permet d'effectuer les réglages suivants :

- **<Réinit. trajet?>**
Toutes les données relatives au trajet effectué jusque là sont remises à zéro.
- **<eShift>** (facultatif)
Permet de régler la fréquence de pédalage.
- **<eSuspension>** (facultatif)
Permet de régler un mode de suspension / amortissement défini par le fabricant.

Nettoyage et entretien

Ne nettoyez jamais les composants avec de l'eau sous pression.

Veillez à une bonne propreté de l'écran de votre ordinateur de bord. En cas d'encrassement, la détection de la luminosité ambiante risque de ne plus fonctionner.

Pour nettoyer votre ordinateur de bord, utilisez un chiffon doux, légèrement humide. N'utilisez pas de détergent.

Faites contrôler votre VAE au moins une fois par an sur le plan technique (partie mécanique, version du logiciel, etc.).

Le concessionnaire de vélos peut en plus programmer un certain kilométrage et/ou intervalle de temps comme échéance d'entretien. Quand le prochain entretien est arrivé à échéance, l'ordinateur de bord vous en informe à chaque mise en marche.

Pour le service après-vente ou les réparations sur votre vélo électrique, adressez-vous à un vélociste agréé.

► **Ne confiez les réparations qu'à un revendeur agréé.**

Résolution des problèmes

Les composants du vélo électrique sont contrôlés automatiquement en permanence. Si un défaut est détecté, le code de défaut correspondant s'affiche sur l'ordinateur de bord.

Certains défauts déclenchent la désactivation automatique de l'assistance électrique. Il est alors pos-

sible de continuer à rouler mais à la seule force des mollets. Faites contrôler votre vélo électrique avant de l'utiliser pour d'autres trajets.

► **Ne confiez les réparations qu'à un revendeur agréé.**

Code	Cause	Remède
410	Une ou plusieurs touches de l'ordinateur de bord sont bloquées.	Contrôlez si les touches sont coincées, par ex. suite à la pénétration de saletés. Le cas échéant, nettoyez les touches.
414	Problème de connexion de l'unité d'affichage	Faites contrôler les raccordements et connexions
418	Une ou plusieurs touches de l'unité de commande sont bloquées.	Contrôlez si les touches sont coincées, par ex. suite à la pénétration de saletés. Le cas échéant, nettoyez les touches.
419	Erreur de configuration	Redémarrez le système. Si le problème persiste, rendez-vous chez votre revendeur Bosch.
422	Problème de connexion de l'unité d'entraînement	Faites contrôler les raccordements et connexions
423	Problème de connexion de la batterie du vélo électrique	Faites contrôler les raccordements et connexions
424	Erreur de communication des composants entre eux	Faites contrôler les raccordements et connexions
426	Erreur de timeout interne	Redémarrez le système. Si le problème persiste, rendez-vous chez votre revendeur Bosch. Il n'est pas possible, en présence de ce défaut, d'aller dans le menu Configuration de base pour afficher ou modifier la circonférence de pneu.
430	Accu interne de l'ordinateur de bord vide (pas pour BUI350)	Rechargez l'ordinateur de bord (dans son support ou via la prise USB)
431	Erreur de version de logiciel	Redémarrez le système. Si le problème persiste, rendez-vous chez votre revendeur Bosch.
440	Défaut interne de l'unité d'entraînement	Redémarrez le système. Si le problème persiste, rendez-vous chez votre revendeur Bosch.
450	Erreur interne du logiciel	Redémarrez le système. Si le problème persiste, rendez-vous chez votre revendeur Bosch.

Code	Cause	Remède
460	Défaut sur la prise USB	Débranchez le câble de la prise USB de l'ordinateur de bord. Si le problème persiste, rendez-vous chez votre revendeur Bosch.
490	Défaut interne de l'ordinateur de bord	Faites vérifier l'ordinateur de bord
500	Défaut interne de l'unité d'entraînement	Redémarrez le système. Si le problème persiste, rendez-vous chez votre revendeur Bosch.
502	Dysfonctionnement de l'éclairage du vélo	Contrôlez l'éclairage et son câblage. Redémarrez le système. Si le problème persiste, rendez-vous chez votre revendeur Bosch.
503	Défaut du capteur de vitesse	Redémarrez le système. Si le problème persiste, rendez-vous chez votre revendeur Bosch.
504	Manipulation du signal de vitesse détectée.	Contrôlez la position de l'aimant de rayon, corrigez sa position si nécessaire. Vérifiez s'il n'y a pas eu manipulation (tuning). L'assistance est réduite.
510	Défaut interne du capteur	Redémarrez le système. Si le problème persiste, rendez-vous chez votre revendeur Bosch.
511	Défaut interne de l'unité d'entraînement	Redémarrez le système. Si le problème persiste, rendez-vous chez votre revendeur Bosch.
530	Dysfonctionnement de la batterie	Arrêtez le système eBike, retirez la batterie et remettez-la en place. Redémarrez le système. Si le problème persiste, rendez-vous chez votre revendeur Bosch.
531	Erreur de configuration	Redémarrez le système. Si le problème persiste, rendez-vous chez votre revendeur Bosch.
540	Défaut de température	Le vélo électrique se trouve en dehors de la plage de températures admissible. Arrêtez le système eBike et laissez la température de l'unité d'entraînement remonter ou redescendre jusque dans la plage de températures admissibles. Redémarrez le système. Si le problème persiste, rendez-vous chez votre revendeur Bosch.
550	Un consommateur électrique non autorisé a été détecté.	Retirez le consommateur électrique. Redémarrez le système. Si le problème persiste, rendez-vous chez votre revendeur Bosch.
580	Erreur de version de logiciel	Redémarrez le système. Si le problème persiste, rendez-vous chez votre revendeur Bosch.
591	Erreur d'authentification	Arrêtez le système eBike. Retirez la batterie et remettez-la en place. Redémarrez le système. Si le problème persiste, rendez-vous chez votre revendeur Bosch.

Code	Cause	Remède
592	Composant non compatible	Utilisez un écran compatible. Si le problème persiste, rendez-vous chez votre revendeur Bosch.
593	Erreur de configuration	Redémarrez le système. Si le problème persiste, rendez-vous chez votre revendeur Bosch.
595, 596	Erreur de communication	Contrôlez le câblage vers le moyeu et redémarrez le système. Si le problème persiste, rendez-vous chez votre revendeur Bosch.
602	Défaut interne de la batterie	Redémarrez le système. Si le problème persiste, rendez-vous chez votre revendeur Bosch.
603	Défaut interne de la batterie	Redémarrez le système. Si le problème persiste, rendez-vous chez votre revendeur Bosch.
605	Défaut de température de la batterie	La batterie se trouve en dehors de la plage de températures admissible. Arrêtez le système eBike et laissez la batterie revenir dans la plage de températures admissibles. Redémarrez le système. Si le problème persiste, rendez-vous chez votre revendeur Bosch.
606	Défaut externe de la batterie	Vérifiez le câblage. Redémarrez le système. Si le problème persiste, rendez-vous chez votre revendeur Bosch.
610	Défaut de tension de la batterie	Redémarrez le système. Si le problème persiste, rendez-vous chez votre revendeur Bosch.
620	Dysfonctionnement du chargeur	Remplacez le chargeur. Rendez-vous chez votre revendeur Bosch.
640	Défaut interne de la batterie	Redémarrez le système. Si le problème persiste, rendez-vous chez votre revendeur Bosch.
655	Défaut multiple de la batterie	Arrêtez le système eBike. Retirez la batterie et remettez-la en place. Redémarrez le système. Si le problème persiste, rendez-vous chez votre revendeur Bosch.
656	Erreur de version de logiciel	Rendez-vous chez votre revendeur Bosch pour qu'il effectue une mise à jour du logiciel.
7xx	Défaut de composants d'autres fabricants	Consultez la notice d'utilisation du fabricant du composant.
Pas d'affichage	Défaut interne de l'ordinateur de bord	Redémarrez le système eBike en l'éteignant et en le rallumant.

Programme de recyclage des accus



La Drive Unit, l'ordinateur de bord, la commande déportée, la batterie VAE, le capteur de vitesse, les accessoires et l'emballage doivent être rapportés à un centre de recyclage respectueux de l'environnement.

Ne jetez pas les systèmes eBike et leurs éléments constitutifs dans les ordures ménagères !



Pour recycler votre batterie Bosch, appelez le 1.800.822.8837.

Índice

Introducción	2
Acerca de las advertencias	2
Advertencias generales	2
Utilización de sus Instrucciones de servicio	3
Operación de su sistema de transmisión Bosch.....	4
Indicaciones de seguridad.....	4
Descripción del producto y servicio	8
Utilización reglamentaria	9
Datos técnicos	9
Montaje.....	10
Operación	11
Indicaciones y configuración del ordenador de a bordo	17
Mantenimiento y limpieza	20
Resolución de problemas	21
Programa de reciclaje de baterías	24

Introducción

Acerca de las advertencias

Este manual contiene muchos **PELIGROS**, **ADVERTENCIAS**, y **PRECAUCIONES** sobre las consecuencias de una falta de uso, montaje, mantenimiento, almacenamiento, inspección y eliminación de una eBike equipada por Bosch de modo seguro.

- La combinación del símbolo de alerta de seguridad y la palabra **PELIGRO** indica una situación peligrosa que, si no se evita, ocasionará la muerte o lesiones graves.

- La combinación del símbolo de alerta de seguridad y la palabra **ADVERTENCIA** indica una situación peligrosa que, si no se evita, podría provocar la muerte o lesiones graves.
- La combinación del símbolo de alerta de seguridad y la palabra **PRECAUCIÓN** indica una situación peligrosa que, si no se evita, podría ocasionar lesiones leves o moderadas.

Advertencias generales



Lea íntegramente todas las indicaciones de seguridad e instrucciones. No seguir las advertencias e instrucciones siguientes puede provocar la muerte o lesiones graves.

Guarde todas las indicaciones de seguridad e instrucciones para posibles consultas futuras.

El término **Batería para eBike** utilizado en estas instrucciones de servicio se refiere a todas las baterías originales para eBikes de Bosch.

- ▶ **Lea TODOS los manuales incluidos antes de montar en la bicicleta por primera vez.** Su sistema de accionamiento de Bosch incluye manuales y documentación adicionales proporcionados por el fabricante de la bicicleta y de otros componentes. No leer o desconocer la información de seguridad puede provocar la muerte o lesiones graves.

ADVERTENCIA

- ▶ **Este manual contiene información importante de seguridad, rendimiento y mantenimiento.** Léalo antes de usar su nueva bicicleta y guárdelo a modo de referencia. Puede encontrar el manual también en línea en www.bosch-ebike.com.
- ▶ **Este manual está previsto para su lectura junto con el manual de usuario aparte que venía con su bicicleta.** Antes de usar la bici por primera vez,

asegúrese de leer toda la documentación facilitada, incluidas las etiquetas que lleva el producto.

- ▶ **Por su propia SEGURIDAD, sea responsable.** Si tiene dudas o no entiende algo, consúltelo con su distribuidor o con el fabricante de la bicicleta o del componente.
- ▶ **Algunos accesorios de la eBike pueden suponer un peligro de atragantamiento para los niños pequeños.** Mantenga esos accesorios alejados de los niños.

PRECAUCIÓN

- ▶ **El sistema de accionamiento de Bosch incrementa el peso de su bicicleta, que puede que no esté acostumbrado a levantar.** Evite las lesiones; utilice técnicas de elevación adecuadas.

Utilización de sus Instrucciones de servicio

Además de las funciones aquí representadas, puede ser que se introduzcan en cualquier momento modificaciones de software para la eliminación de errores y modificaciones de funciones.

Gráficos

La bicicleta que se muestra en este manual puede diferir ligeramente de la suya; no obstante, las similitudes son suficientes para ayudarle a entender nuestras instrucciones.

Los lados DERECHO e IZQUIERDO se indican mirando en el sentido que la bicicleta tendrá al circular hacia delante. Si ve una línea discontinua (-----), el elemento al que se refiere está oculto a la vista.

Operación de su sistema de transmisión Bosch

Indicaciones de seguridad



Lea íntegramente todas las indicaciones de seguridad e instrucciones. Las faltas de observación de las indicaciones de seguridad y de las instrucciones pueden causar descargas eléctricas, incendios y/o lesiones graves.

Guarde todas las indicaciones de seguridad e instrucciones para posibles consultas futuras.

El término **Batería para eBike** utilizado en estas instrucciones de servicio se refiere a todas las baterías originales para eBikes de Bosch.

- ▶ **Lea y siga todas las indicaciones de seguridad e instrucciones de todos los manuales de uso del sistema eBike, así como las instrucciones de uso de su eBike.**
- ▶ **No permita que las indicaciones del ordenador de a bordo le distraigan.** Si no centra su atención exclusivamente en el tráfico, se arriesga a verse implicado en un accidente. Si desea introducir en el ordenador de a bordo datos que van más allá del cambio de nivel de asistencia, deténgase para efectuar dichas entradas.
- ▶ **Ajuste la luminosidad de la pantalla de modo que pueda percibir adecuadamente las informaciones importantes, como la velocidad o los símbolos de advertencia.** Una luminosidad de la pantalla incorrectamente ajustada puede llevar a situaciones peligrosas.
- ▶ **No intente abrir el ordenador de a bordo.** El ordenador de a bordo se puede destruir al abrirlo y así se pierde el derecho de garantía.
- ▶ **No utilice el ordenador de a bordo como asidero.** Si se levanta la eBike por el ordenador de a bordo, este puede dañarse irreparablemente.
- ▶ **La función de asistencia de empuje se debe usar exclusivamente al empujar la eBike.** Si las ruedas de la eBike no están en contacto con el suelo cuando se usa la asistencia de empuje, existe riesgo de lesiones.
- ▶ **Cuando la asistencia de empuje está activada, los pedales pueden girar.** Con la asistencia de empuje activada, preste atención a que sus piernas tengan suficiente distancia hacia los pedales giratorios. Existe peligro de lesión.
- ▶ **En caso de utilizar la ayuda para empuje, asegúrese de poder controlar la eBike en todo momento y de sujetarla de forma segura.** La ayuda para el empuje puede interrumpirse en determinadas condiciones (p. ej. obstáculo en el pedal o deslizamiento accidental del botón de la unidad de mando). La eBike puede retroceder repentinamente hacia usted o empezar a volcar. Esto implica un riesgo para el usuario, especialmente con una carga adicional. No lleve la eBike con la ayuda para el empuje en situaciones, en las que no pueda sujetar la eBike con su propia fuerza!
- ▶ **No coloque la eBike boca abajo sobre el manillar y el sillín cuando el ordenador de a bordo o su soporte sobresalga del manillar.** El ordenador de a bordo o el soporte pueden dañarse irreparablemente. También retire el ordenador de a bordo antes de sujetar la eBike en un soporte de montaje para evitar que el ordenador de a bordo se caiga o se dañe.
- ▶ **¡Cuidado!** El uso de la unidad de mando con *Bluetooth*® puede provocar anomalías en otros aparatos y equipos, en aviones y en aparatos médicos (p. ej. marcapasos, audífonos, etc.). Tampoco puede descartarse por completo el riesgo de daños en personas y animales que se encuentren en un perímetro cercano. No utilice la unidad de mando con *Bluetooth*® cerca de aparatos médicos, gasolineras, instalaciones químicas, zonas con riesgo de explosión ni en zonas de voladuras. No utilice la unidad de mando con *Bluetooth*® en aviones. Evite el

uso prolongado de esta herramienta en contacto directo con el cuerpo.

- ▶ La marca denominativa *Bluetooth*[®] como también los logotipos son marcas registradas y propiedad de Bluetooth SIG, Inc. Cualquier uso de esta marca denominativa/figurativa por parte de Robert Bosch GmbH, Bosch eBike Systems se realiza bajo licencia.
- ▶ **El ordenador de a bordo está equipado con una interfaz inalámbrica. Observar las limitaciones locales de servicio, p. ej. en aviones o hospitales.**
- ▶ **No introduzca información o haga selecciones durante la circulación.** La interacción con la pantalla mientras se conduce puede provocar accidentes que causen lesiones graves o la muerte. Debe observar las condiciones de la carretera y el tráfico, y cumplir con las leyes de tráfico en todo momento.
- ▶ **El uso del dispositivo móvil mientras se maneja una eBike puede causar una distracción. La conducción distraída es un grave problema de seguridad y puede provocar accidentes que causen lesiones graves o la muerte. Para evitar la distracción al conducir, la mayoría de los dispositivos vienen equipados con un modo "No molestar". El modo "No molestar" debe ser usado mientras se conduce una eBike.** Por favor, consulte las instrucciones específicas de su dispositivo para obtener más información. Usted, como conductor de la bicicleta, es totalmente responsable de asegurar que en todo momento preste atención a las condiciones de la carretera y cumpla con las leyes de tráfico.
- ▶ **No active la función de asistencia de empuje mientras se conduce la bicicleta.** Sólo use la función de asistencia de empuje al empujar la eBike.
- ▶ Por favor, tenga en cuenta que algunas leyes estatales o locales pueden exigir que las bicicletas eléctricas (eBikes) de clase III estén equipadas con un velocímetro que indique la velocidad en millas por hora. Los ciclistas deben conocer y seguir todas las normas y reglamentos aplicables relacionados con

el funcionamiento o el uso de las eBikes de clase III en cualquier jurisdicción antes de operar o utilizar este producto.

Advertencias de seguridad para cargar la batería del ordenador de a bordo

- ▶ **Sólo cargue el ordenador de a bordo con una fuente de alimentación USB (5 V, 1000 mA máx.) y un cable USB con una capacidad de al menos 1000 mA.** El uso de una fuente de alimentación USB o de un cable USB no adecuado para la aplicación puede provocar un incendio, una explosión o lesiones personales.
- ▶ **Cargue el ordenador de a bordo a temperaturas superiores a +32 grados F (0 grados C) e inferiores a +104 grados F (40 grados C). Guarde el ordenador de a bordo en lugares donde la temperatura no exceda los 104 grados F (40 grados C).** Esto es importante para prevenir serios daños a la batería del ordenador de a bordo.
- ▶ **No exponga el ordenador de a bordo al fuego o a una temperatura excesiva.** La exposición al fuego o a temperaturas superiores a los 212 °F (100 °C) puede causar una explosión.
- ▶ **No recargue el ordenador de a bordo (a través del puerto USB) en un entorno húmedo o mojado.** La penetración de agua en el ordenador de a bordo puede provocar una descarga eléctrica o un incendio.
- ▶ **Nunca sumerja el ordenador de a bordo en ningún tipo de fluido ni permita que penetre en él.** Los fluidos corrosivos o conductores (como el agua de mar o los productos químicos industriales o que contienen lejía, etc.) pueden causar un cortocircuito que puede provocar incendios, lesiones personales y daños materiales.
- ▶ **La fuga de la batería puede ocurrir bajo condiciones extremas de uso o temperatura. Evite el contacto con la piel y los ojos.** El líquido de la batería es cáustico y podría causar quemaduras químicas a los tejidos. Si el líquido entra en contacto con la piel, debe lavarse rápidamente con agua y ja-

bón. Si el líquido entra en contacto con los ojos, lávelos inmediatamente con agua durante un mínimo de 15 minutos y busque atención médica.

► **Colocar el ordenador de a bordo en superficies planas no inflamables y lejos de materiales inflamables al recargar el ordenador de a bordo utilizando una fuente de alimentación externa USB.**

Las alfombras y otras superficies aislantes del calor bloquean la correcta circulación del aire, lo que puede causar un sobrecalentamiento del ordenador de a bordo. Si se observa humo o derretimiento del ordenador de a bordo, desenchufe inmediatamente la fuente de alimentación externa USB y no utilice el ordenador de a bordo. Contacte inmediatamente el servicio de atención al cliente.

► **Antes de cada uso, compruebe el ordenador de a bordo, el cable y el enchufe.** Si se detectan daños, no utilice el ordenador de a bordo. Daños en el ordenador de a bordo, los cables de carga y los enchufes aumentan el riesgo de incendio, explosión y lesiones personales.

► **No desarme el ordenador de a bordo.** No hay ninguna pieza utilizable por el usuario en el interior. El reensamblaje incorrecto o los daños pueden provocar un incendio o una explosión.

INDICACIÓN: Este dispositivo cumple con la Parte 15 de las Normas de la FCC. La operación está sujeta a las siguientes dos condiciones:

1. Este dispositivo no debe causar interferencias dañinas, y
2. este dispositivo debe aceptar cualquier interferencia que se reciba, incluida la interferencia que pueda causar un funcionamiento no deseado.

INDICACIÓN: Los cambios o modificaciones realizados en este equipo no aprobados expresamente por Robert Bosch GmbH pueden anular la autorización de la FCC para operar este equipo.

NOTA: Este equipo ha sido probado y cumple con los límites para un dispositivo digital de Clase B, de conformidad con la Parte 15 de las Normas de la FCC. Estos límites están diseñados para proporcionar una protección razonable contra interferencias perjudi-

ciales en una instalación residencial. Este equipo genera, utiliza y puede emitir energía de radiofrecuencia y, si no se instala y utiliza de acuerdo con las instrucciones, puede causar interferencias perjudiciales en las comunicaciones de radio. Sin embargo, no existe garantía de que no se produzcan interferencias en una instalación en particular. Si este equipo causa interferencias perjudiciales en la recepción de radio o televisión, lo cual puede determinarse encendiendo y apagando el equipo, se recomienda al usuario que intente corregir la interferencia mediante una o más de una de las siguientes medidas:

- Reorientar o reubicar la antena receptora.
- Aumente la separación entre el equipo y el receptor.
- Conecte el equipo a una toma de corriente en un circuito diferente al que está conectado el receptor.
- Diríjase al distribuidor o a un técnico de radio/TV experimentado para obtener ayuda.

Información de exposición a la radiación de radiofrecuencia: La potencia de salida irradiada del dispositivo está muy por debajo de los límites de exposición de radiofrecuencia de la FCC. Sin embargo, el dispositivo debe utilizarse de tal manera que se minimice la posibilidad de contacto humano durante el funcionamiento normal.

Este equipo cumple con los límites de exposición a la radiación de FCC establecidos para un ambiente no controlado. Este equipo debe ser instalado y operado con una distancia mínima de 20 cm entre el emisor y su cuerpo. Este transmisor no debe estar ubicado u operando en conjunto con ninguna otra antena o transmisor.

Nota de ISED (Canadá)

Este dispositivo contiene un(varios) transmisor(es)/receptor(es) exento(s) de licencia que cumple(n) con RSS(s) exento(s) de licencia del Ministerio de Innovación, Ciencia y Desarrollo Económico de Canadá. La

utilización está sujeta a las dos condiciones siguientes:

1. este dispositivo no debe causar interferencias perjudiciales, y
2. este dispositivo debe admitir cualquier interferencia, incluyendo las interferencias que puedan causar un funcionamiento no deseado del dispositivo.

Este equipo cumple con los límites de exposición a la radiación del Canadá establecidos para un ambiente no controlado. Este equipo debe ser instalado y operado con una distancia mínima de 20 cm entre el emisor y su cuerpo. Este transmisor no debe estar ubicado u operando en conjunto con ninguna otra antena o transmisor.

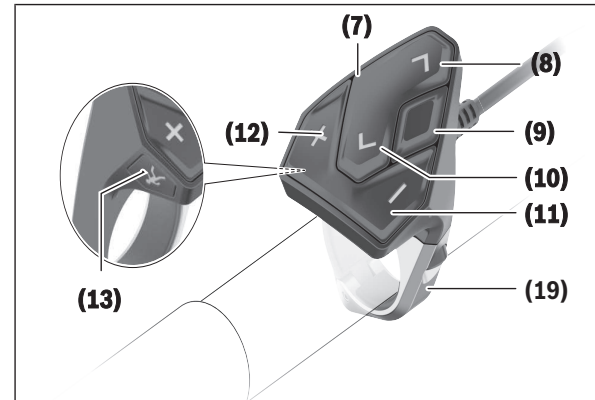
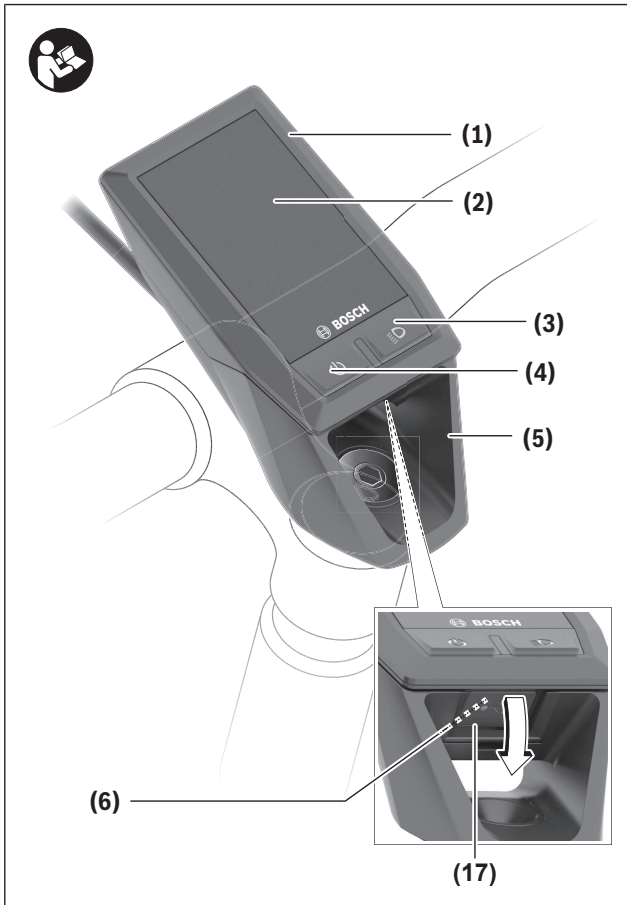
Advertencias de seguridad relativas a la navegación

- ▶ **No planifique rutas mientras conduce. Deténgase e ingrese un nuevo destino solo cuando está parado.** Si no centra su atención exclusivamente en el tráfico, se arriesga a verse implicado en un accidente.
- ▶ **Interrumpa su viaje cuando el sistema de navegación le proponga una ruta que resulte arriesgada o peligrosa en función de sus competencias de conducción.** Permita que el dispositivo de navegación le proponga una ruta alternativa.
- ▶ **No ignore ninguna señal de tráfico aunque el dispositivo de navegación le indique un camino determinado.** El sistema de navegación no puede saber si hay obras o desvíos temporales en un lugar.
- ▶ **No use la navegación en situaciones críticas de seguridad o poco claras (cierres de carreteras, desvíos, etc.).** Lleve siempre consigo mapas y medios de comunicación.
- ▶ **El sistema de navegación le indica que haga una maniobra insegura o ilegal.** Cancele el sistema de navegación y elija una ruta alternativa.
- ▶ **El sistema de navegación lo guía hacia un área insegura.** Cancele el sistema de navegación y elija una ruta alternativa.
- ▶ **El sistema de navegación no lo guía a la instalación de emergencia más cercana en caso de necesidad.** Haga una llamada de emergencia y pregunte cuál es la ruta más rápida disponible.
- ▶ **El sistema de navegación indica incorrectamente la ubicación de la bicicleta.** Utilice una fuente de información secundaria para determinar dónde se encuentra actualmente.
- ▶ **El volumen del sistema de navegación evita que se escuche el tráfico circundante mientras se conduce.** Asegúrese de poder percibir en todo momento los ruidos del tráfico en las inmediaciones, para poder reaccionar adecuadamente a los posibles peligros.
- ▶ **LOS SERVICIOS DE NAVEGACIÓN SE OFRECEN ÚNICAMENTE PARA PROPÓSITOS DE PLANIFICACIÓN. LA INFORMACIÓN DE LOS SERVICIOS DE NAVEGACIÓN PUEDE DIFERIR DE LAS CONDICIONES ACTUALES. EL USUARIO DEBE EJERCITAR SU JUICIO INDEPENDIENTE CUANDO UTILICE LOS SERVICIOS DE NAVEGACIÓN PARA ASEGURARSE DE QUE LA RUTA PROPORCIONADA POR LOS SERVICIOS DE NAVEGACIÓN ES SEGURA Y APROPIADA PARA EL USO DE LA EBIKE.**

Indicación de protección de datos

Si en caso de servicio se envía el ordenador de a bordo al servicio Bosch, es posible transferir a Bosch los datos guardados en el ordenador de a bordo.

Descripción del producto y servicio



- (1)** Ordenador de a bordo
- (2)** Display
- (3)** Tecla de iluminación de la bicicleta
- (4)** Tecla de conexión/desconexión del ordenador de a bordo
- (5)** Soporte del ordenador de a bordo
- (6)** Conexión USB
- (7)** Cuadro de mandos
- (8)** Tecla para hojear hacia delante/derecha >
- (9)** Tecla de selección
- (10)** Tecla para hojear hacia detrás/izquierda <
- (11)** Tecla para reducir la asistencia -/
Tecla para hojear hacia abajo

- (12)** Tecla para aumentar la asistencia +/
Tecla para hojear hacia arriba
 - (13)** Tecla de ayuda para empuje
 - (17)** Caperuza protectora de la conexión USB^{a)}
 - (19)** Soporte de la unidad de manejo
- a) obtenible como repuesto

Utilización reglamentaria

El ordenador de a bordo **Kiox** se ha previsto para el control de la eBike y para la indicación de datos de marcha.

Para poder utilizar en su totalidad el ordenador de a bordo Kiox, se necesita un smartphone compatible con la aplicación eBike-Connect (obtenible en App Store o en Google Play Store) así como un registro en el portal eBike-Connect (www.ebike-connect.com).

Datos técnicos

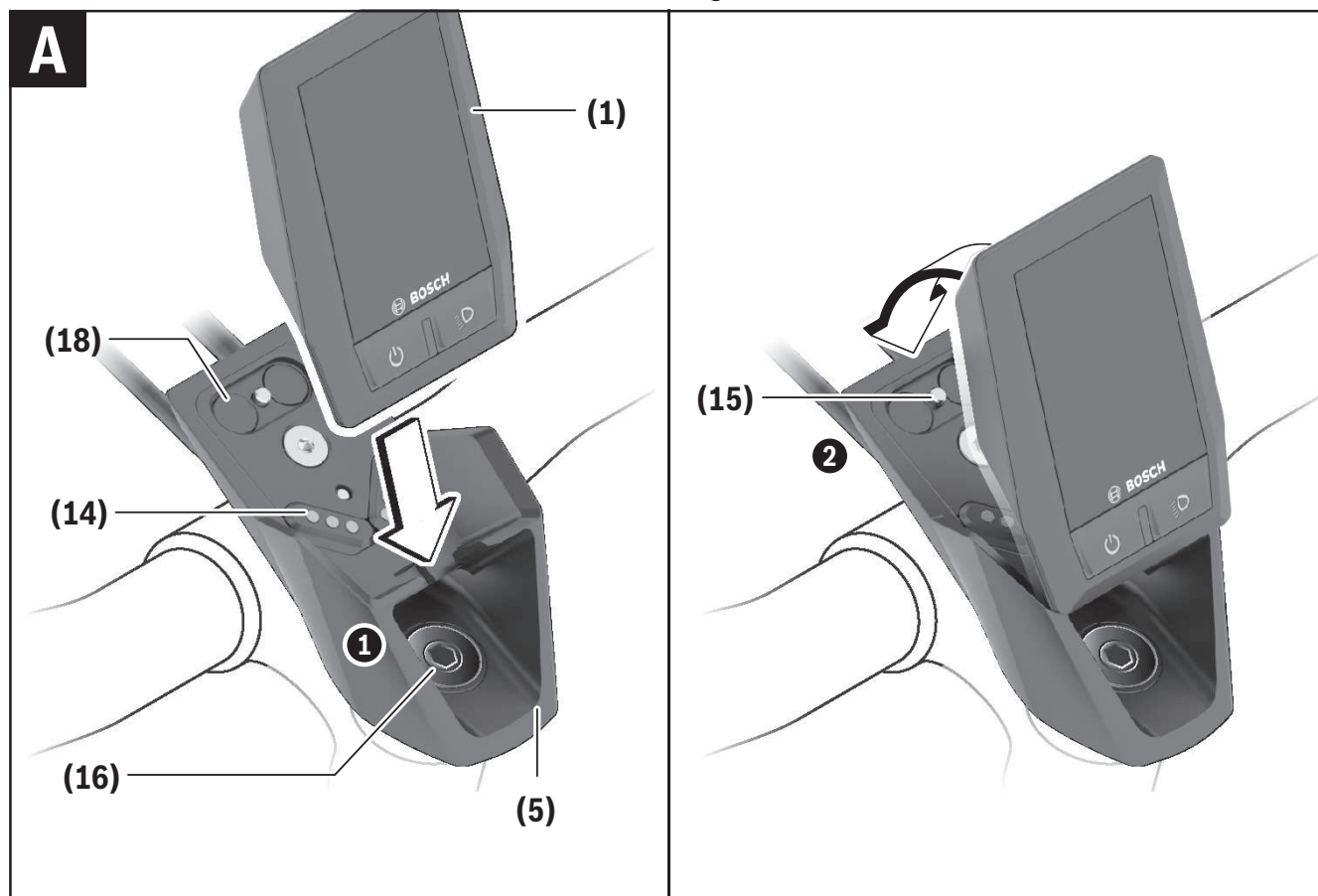
Ordenador de a bordo		Kiox
Código de producto		BUI330
Corriente de carga de la conexión USB máx. ^{A)}	mA	1000
Tensión de carga en puerto USB	V	5
Cable de carga USB ^{B)}		1 270 016 360
Temperatura de servicio	°F	+23 ... +104
Temperatura de carga	°F	+32 ... +104
Temperatura de almacenamiento	°F	+50 ... +104
Acumulador de iones de litio interno	V mAh	3,7 230
Tipo de protección ^{C)}		IP55
Peso, aprox.	lbs	0,13
<i>Bluetooth® Low Energy</i>		
– Frecuencia	MHz	2400–2480
– Potencia de emisión	mW	< 10

A) a una temperatura ambiente < 77 °F

B) no contenido en el volumen de suministro

C) con cubierta de USB cerrada

Montaje



- (1)** Ordenador de a bordo
- (5)** Soporte del ordenador de a bordo
- (14)** Contactos de unidad motriz
- (15)** Tornillo de bloqueo del ordenador de a bordo
- (16)** Tornillo del grupo de control
- (18)** Soporte magnético

Colocar y retirar el ordenador de a bordo (ver figura A)

Primero, coloque Kiox con la parte inferior en el soporte **(5)** e inclínelo ligeramente hacia adelante, hasta que el ordenador de a bordo quede perceptiblemente fijo en el soporte magnético.

Para retirarlo, agarre el ordenador de a bordo en la parte superior y tírelo hacia usted, hasta que se libere del soporte magnético.

► **Retire el ordenador de a bordo cuando estacione la eBike.**

El ordenador de a bordo puede asegurarse en el soporte para impedir que pueda extraerse. Para ello, suelte el tornillo del grupo de control **(16)**, hasta que se pueda girar lateralmente el soporte del Kiox. Coloque el ordenador de a bordo en el soporte. Enrosque el tornillo de bloqueo (M3, 6 mm de longitud) desde abajo en la rosca prevista para ello del ordenador de a bordo (la utilización de un tornillo más largo puede conducir a un daño del ordenador de a bordo). Gire el soporte de nuevo hacia atrás y apriete el tornillo del grupo de control según las instrucciones del fabricante.

Operación

Antes de la primera puesta en servicio

Kiox se suministra con una batería parcialmente cargada. Antes del primer uso debe cargarse esta batería a través de la conexión USB (ver "Suministro de corriente del ordenador de a bordo", Página Español – 12) o a través de la eBike como mínimo 1 h.

El cuadro de mandos debe colocarse de modo que los botones estén casi verticales al manillar.

En la primera puesta en servicio se muestra inicialmente la selección de idioma y luego puede obtener explicaciones sobre funciones esenciales e indicaciones a través de la opción de menú **<Intro. a Kiox>**. La opción de menú también se puede llamar más tarde a través de **<Configuración>** → **<Información>**.

Seleccionar la configuración del sistema

Coloque el ordenador de a bordo en el soporte y, con la bicicleta parada, proceda de la manera siguiente: Vaya a la pantalla de estado (Status-Screen) (con la tecla **<(10)>** en la unidad de mando, hojear hasta la primera indicación) y acceda con la tecla de selección a **(9) <Configuración>**.

Con las teclas **- (11)** y **+ (12)** puede seleccionar el ajuste deseado y abrir éste así como eventualmente otros submenús con la tecla de selección **(9)**. Desde el respectivo menú de configuración, puede usar la tecla **<(10)>** para regresar al menú anterior.

En **<Conf. Sistema>** puede llevar a cabo los siguientes ajustes:

- **<Brillo>**
- **<Hora>**
- **<Fecha>**
- **<Zona horaria>**
- **<Form. 24h>**
- **<Fondo claro>**
- **<Unids. imper.>**
- **<Idioma>**
- **<Reajuste a fábrica>**

Puesta en marcha de la eBike

Requisitos

La eBike solo puede activarse cuando se cumplen las siguientes condiciones:

- Se ha colocado una batería de la eBike con suficiente carga (véanse las instrucciones de uso de la batería de la eBike).
- El ordenador de a bordo está correctamente colocado en el soporte.

Conexión/desconexión de la eBike

Es posible **encender** la eBike de las siguientes formas:

- Una vez colocados el ordenador de a bordo y la batería de la eBike, pulse una vez brevemente la tecla de conexión/desconexión **(4)** del ordenador de a bordo.

- Con el ordenador de a bordo colocado, pulse la tecla de conexión/desconexión de la batería de la eBike (es posible que existan soluciones específicas del fabricante de bicicletas en las cuales no hay acceso a la tecla de conexión/desconexión de la batería de la eBike; ver instrucciones de servicio de la batería).

El motor se activa al empezar a pedalear (excepto en la función de asistencia para empujar caminando o en el nivel de asistencia **OFF**). La potencia de accionamiento depende del nivel de asistencia ajustado.

En cuanto deje de pedalear en el funcionamiento normal o en cuanto alcance una velocidad de **20/28 mph**, se desconecta la asistencia del accionamiento. El accionamiento se activa de nuevo automáticamente en cuanto padee y su velocidad esté por debajo de **20/28 mph**.

Es posible **apagar** la eBike de las siguientes formas:

- Pulse brevemente la tecla de conexión/desconexión **(4)** del ordenador de a bordo.
- Desconecte la batería de la eBike con su tecla de conexión/desconexión (puede haber soluciones de fabricantes de bicicletas que no tengan acceso a la tecla de conexión/desconexión de la batería de la eBike; véase el manual de instrucciones del fabricante de la bicicleta).
- Retire el ordenador de a bordo del soporte.

Si durante unos **10** minutos no se solicita potencia al accionamiento (p. ej. porque la eBike está parada) y no se pulsa ninguna tecla del ordenador de a bordo o del cuadro de mandos de la eBike, la eBike se desconecta automáticamente.

Suministro de corriente del ordenador de a bordo

Si el ordenador de a bordo se encuentra sobre el soporte **(5)**, si hay una batería de eBike con suficiente carga en la eBike y la eBike está encendida, la batería interna del ordenador de a bordo recibe energía de la batería de la eBike y se carga.

Si se extrae el ordenador de a bordo del soporte **(5)**, la alimentación de energía procede de la batería inter-

na del ordenador de a bordo. Si la batería interna del ordenador de a bordo está muy descargada, aparecerá un mensaje de advertencia en la pantalla.

Para cargar la batería interna del ordenador de a bordo, coloque el ordenador de a bordo de nuevo en el soporte **(5)**. Tenga en cuenta que si no está cargando la batería de la eBike, la eBike se apaga automáticamente después de 10 minutos de inactividad. En ese caso, también se finaliza la carga de la batería interna del ordenador de a bordo.

También puede cargar el ordenador de a bordo a través del puerto USB **(6)**. Abra para ello la caperuza protectora **(17)**. Conecte el conector USB del ordenador de a bordo a través de un cable Micro USB con un cargador USB convencional (no incluido en el volumen de suministro) o al puerto USB de un ordenador (tensión de carga máx. **5 V**; corriente de carga máx. **1000 mA**).

Si el ordenador de a bordo se extrae del soporte **(5)**, siguen almacenados todos los valores de las funciones y se muestran continuamente.

Después de su uso, el puerto USB debe cerrarse cuidadosamente de nuevo con la caperuza protectora **(17)**.

Si no se carga de nuevo la batería interna del ordenador de a bordo, la fecha y la hora se mantienen un máximo de 6 meses. Tras la reconexión, en el caso de una conexión *Bluetooth*[®] a la aplicación y una localización de GPS exitosa en el smartphone, se restablecen la fecha y la hora.

Indicación: Kiox se carga **sólo** en estado conectado.

Indicación: Si el Kiox se apaga durante el proceso de carga con el cable USB, no se podrá volver a encender hasta que se haya extraído el cable USB.

Nota: Para lograr la vida útil máxima de la batería interna del ordenador de a bordo, éste último debería recargarse cada tres meses durante una hora.

Restablecer modo de almacenamiento/Kiox

El ordenador de a bordo tiene un modo de almacenamiento de ahorro de energía que minimiza la descar-

ga de la batería interna. La fecha y la hora se pierden en ello.

Este modo se puede activar presionando continuamente (como mínimo 8 s) la tecla de conexión/desconexión **(4)** del ordenador de a bordo.

Si el ordenador de a bordo no arranca presionando brevemente la tecla de conexión/desconexión **(4)**, el ordenador de a bordo se encuentra en el modo de almacenamiento.

Presionando la tecla de conexión/desconexión **(4)** durante mínimo 2 s, puede finalizar de nuevo el modo de almacenamiento.

El ordenador de a bordo detecta si está en un estado listo para funcionar. Si en el estado listo para funcionar presiona la tecla de conexión/desconexión **(4)** como mínimo 8 s, el ordenador de a bordo pasa al modo de almacenamiento. Si, contrariamente a lo esperado, Kiox no se encuentra en un estado listo para funcionar y ya no se puede operar, la presión continua (mínimo 8 s) de la tecla de conexión/desconexión **(4)** se restablecerá. Tras restablecerse, el ordenador de a bordo arranca de nuevo automáticamente en aprox. 5 s. Si Kiox no arranca de nuevo, presione la tecla de conexión/desconexión **(4)** durante 2 s.

Para reponer Kiox al ajuste de fábrica, seleccione **<Configuración>** → **<Conf. Sistema>** → **<Reajuste a fábrica>**. Todos los datos del usuario se pierden en ello.

Indicador del estado de carga de la batería de la eBike

El indicador de estado de carga de la batería de la eBike **d** (ver "Pantalla de inicio (Start-Screen)", Página Español – 17) se puede leer en la pantalla de estado y en la barra de estado. También se puede consultar el estado de carga de la batería de la eBike en los LED que presenta la propia batería de la eBike.

Color de la indicación	Aclaración
verde	El acumulador de la eBike está cargado sobre 30 %.

Color de la indicación	Aclaración
naranja	El acumulador de la eBike está cargado entre 15 % y 30 %.
rojo	El acumulador de la eBike está cargado entre 0 % y 15 %.
rojo + !	Se ha consumido la capacidad de asistencia del accionamiento y la asistencia se desconecta. La capacidad restante se reserva para la iluminación de la bicicleta y el ordenador de a bordo.

Si la batería de la eBike se carga en la misma, se muestra un mensaje correspondiente.

Si se extrae el ordenador de a bordo del soporte **(5)**, queda memorizado el estado de carga del acumulador mostrado por última vez.

Ajuste del modo de asistencia

En el cuadro de mandos **(7)** puede ajustar la fuerza con la que le ayuda el accionamiento al pedalear. Este nivel de asistencia se puede modificar en cualquier momento, también durante la marcha.

Indicación: En algunas ejecuciones es posible que el nivel de asistencia esté preajustado y no se pueda cambiar. También es posible que no exista una diversidad de modos de asistencia tan amplia como la aquí indicada.

A lo sumo están disponibles los siguientes niveles de asistencia:

- **OFF:** la asistencia de accionamiento está apagada, la eBike se puede mover como una bicicleta normal pedaleando. La asistencia de empuje no se puede activar en este nivel de asistencia.
- **ECO:** asistencia efectiva con la máxima eficiencia, para una autonomía máxima

– TOUR/TOUR+:

TOUR: asistencia uniforme, para viajes con gran alcance

TOUR+: asistencia dinámica para una conducción natural y deportiva (sólo en combinación con **eMTB**)

– SPORT/eMTB:

SPORT: asistencia potente para la conducción deportiva en rutas montañosas, así como para el tráfico urbano

eMTB: asistencia óptima en todo terreno, arranque deportivo, dinámica mejorada, máximo rendimiento (**eMTB** disponible únicamente en combinación con las unidades de accionamiento BDU250P CX, BDU365, BDU450 CX y BDU480 CX. También puede requerirse una actualización del sistema.)

– TURBO:

asistencia máxima, incluso al pedalear velozmente, para una conducción deportiva

Para **aumentar** el nivel de asistencia, pulse la tecla **+** (**12**) de la unidad de mando las veces necesarias, hasta que el indicador muestre el nivel de asistencia deseado; para **reducir** pulse la tecla **-** (**11**).

La potencia del accionamiento solicitada aparece en el indicador **h** (ver "Pantalla de inicio (Start-Screen)", Página Español – 17). La potencia máxima del accionamiento depende del nivel de asistencia seleccionado.

Si el ordenador de a bordo se retira del soporte (**5**) y se coloca de nuevo, el ordenador de a bordo siempre inicia en el nivel de asistencia **OFF**.

Conexión/desconexión de la Ayuda para empuje

La asistencia de empuje puede facilitarle el empuje de la eBike. La velocidad en esta función depende de la marcha acoplada y puede alcanzar como máximo **3,7 mph**.

- **La función de asistencia de empuje se debe usar exclusivamente al empujar la eBike.** Si las ruedas de la eBike no están en contacto con el suelo cuando se usa la asistencia de empuje, existe riesgo de lesiones.

Para **activar** la asistencia de empuje caminando, pulse brevemente la tecla **WALK** de su ordenador de a bordo. Tras la activación, pulse la tecla **+** antes de que pasen 10 segundos y manténgala pulsada. Se conecta el accionamiento de la eBike.

Indicación: La asistencia de empuje no se puede activar en el nivel de asistencia **OFF**.

La asistencia para empujar caminando se **desconecta** en cualquiera de los siguientes casos:

- Al soltar la tecla **+** (**12**),
- al bloquearse las ruedas de la eBike (p. ej. debido a una frenada o un choque con un obstáculo),
- al superar la velocidad los **3,7 mph**.

El funcionamiento de la asistencia está sujeto a las disposiciones específicas del país y, por consiguiente, puede diferir de la descripción mencionada anteriormente o estar desactivada.

- **No active la función de asistencia de empuje mientras se conduce la bicicleta.** Sólo use la función de asistencia de empuje al empujar la eBike.

Conectar/desconectar la iluminación de la bicicleta

En el modelo en el que la luz de marcha se alimenta mediante el sistema eBike, las luces, delantera y trasera, se pueden conectar y desconectar simultáneamente mediante el ordenador de a bordo con la tecla de iluminación de la bicicleta (**3**).

Compruebe siempre el correcto funcionamiento de las luces de la bicicleta antes de cada viaje.

Con la luz conectada, está encendido el indicador de luz de marcha **c** (ver "Pantalla de inicio (Start-Screen)", Página Español – 17) en la barra de estado en el display.

El hecho de conectar o desconectar la iluminación de la bicicleta no tiene ningún efecto en la iluminación de fondo de la pantalla.

Elaboración de una identificación de usuario

Para poder utilizar todas las funciones del ordenador de a bordo, debe registrarse online.

La identificación de usuario le permite, entre otras cosas, ver los datos de su recorrido, planificar las rutas offline y transferirlas al ordenador de a bordo.

Puede crear una identificación de usuario a través de su App de smartphone **Bosch eBike Connect** o directamente a través de www.ebike-connect.com. Introduzca los datos requeridos para el registro. La App de smartphone **Bosch eBike Connect** puede descargarse gratuitamente desde la App Store (para iPhones de Apple) o Google Play Store (para dispositivos Android).

Conexión del ordenador de a bordo con la aplicación App Bosch eBike Connect

Una conexión al teléfono inteligente se realiza de la siguiente manera:

- Inicie la aplicación App.
- Seleccione la pestaña **<Mi eBike>**.
- Seleccione **<Añadir nuevo dispositivo de eBike>**.
- Agregue **Kiox**.

Ahora la aplicación App mostrará una indicación correspondiente, que en el ordenador de a bordo se debe presionar la tecla de iluminación de la bicicleta **(3)** durante 5 segundos.

Presione la tecla **(3)** durante 5 segundos. El ordenador de a bordo activa automáticamente la conexión *Bluetooth® Low Energy* y cambia al modo de emparejamiento (Pairing).

Siga las instrucciones de la pantalla. Una vez finalizado el proceso de emparejamiento, se sincronizan los datos del usuario.

Indicación: La conexión *Bluetooth®* no tiene que ser activada manualmente.

El seguimiento de actividades

Para grabar actividades es necesario registrarse o iniciar sesión en el portal eBike Connect o en la App eBike Connect.

Para el registro de actividades es necesario aceptar el almacenamiento de datos de ubicación en el portal o en la App. Solo así se mostrarán sus actividades en el portal y en la App. La posición sólo se registra si está conectado al ordenador de a bordo como usuario.

eShift (opcional)

eShift es la integración de los sistemas de conexión/desconexión electrónicos en la eBike. Los componentes eShift están conectados eléctricamente de fábrica con la unidad de accionamiento. El manejo de los sistemas de conexión/desconexión electrónicos se describe en unas instrucciones de servicio separadas.

eSuspension (suspensión electrónica) (opcional)

eSuspension es la integración de elementos de amortiguación y suspensión electrónicos en la eBike. A través del **Menú rápido** se pueden seleccionar ajustes predefinidos para el sistema eSuspension.

Para obtener detalles sobre la configuración, consulte las instrucciones de servicio del fabricante de eSuspension.

eSuspension solo está disponible junto con el ordenador de a bordo Kiox y en combinación con las unidades de accionamiento BDU450 CX, BDU480 CX y BDU490P.

Lock (bloqueo) (función premium)

La función Lock se puede adquirir en **<Comprar>** de la App eBike Connect. Después de activar la función de bloqueo (Lock), se desactiva la asistencia de la unidad motriz de la eBike al quitar el ordenador de a bordo. La activación es entonces sólo posible con la computadora a bordo perteneciente a la eBike.

En las instrucciones de servicio online www.Bosch-eBike.com/Kiox-manual encontrará instrucciones detalladas al respecto.

Actualizaciones de software

Las actualizaciones de software se transfieren en segundo plano desde la aplicación a la computadora de a bordo, tan pronto como la aplicación se conecta a la computadora de a bordo. Una vez que una actualización se ha transferido completamente, esto se indica **tres veces** cuando se reinicia la computadora a bordo y luego se puede iniciar. La eBike no debe utilizarse durante la actualización.

Alternativamente, puede comprobar bajo **<Conf. Sistema>**, si existe una actualización y luego iniciarla.

Alimentación de aparatos externos vía puerto USB

Con el puerto USB se pueden poner en funcionamiento o cargar la mayoría de los dispositivos cuya alimentación de energía es posible realizar a través de USB (p. ej., diversos teléfonos móviles).

La condición previa para la carga es que estén colocados el ordenador de a bordo y una batería de eBike con suficiente carga en la eBike.

Abra la caperuza protectora **(17)** del puerto USB del ordenador de a bordo. Conecte el puerto USB del dispositivo externo al conector USB **(6)** del ordenador de a bordo con un cable de carga USB micro A – micro B (disponible en su distribuidor de eBikes Bosch).

Después de desconectar el consumidor, hay que volver a tapar minuciosamente el puerto USB con la caperuza protectora **(17)**.

► **Una conexión USB no es una conexión por enchufe impermeable. En recorridos con lluvia, no debe haber ningún dispositivo externo conectado y el puerto USB debe estar completamente cerrado con la tapa de protección (17).**

Atención: Los consumidores conectados pueden afectar la autonomía restante de la eBike.

Indicaciones y configuración del ordenador de a bordo

Indicación: Todas las representaciones y los textos de las páginas siguientes corresponden al estado de lanzamiento del software. Tras una actualización de software puede ser, que se modifiquen ligeramente las representaciones de la superficie y/o los textos de la superficie.

Lógica de mando

Con las teclas < **(10)** y > **(8)** se pueden visualizar las diferentes pantallas con la información de los valores del recorrido, también durante el mismo. De esta forma, se evitará soltar una mano del manillar durante la marcha.

Con las teclas + **(12)** y - **(11)** puede aumentar o reducir el nivel de asistencia.

Los <**Configuración**> que son accesibles a través de la **Pant. estado** no se pueden adaptar durante el recorrido.

Con la tecla de selección **(9)** puede realizar las siguientes funciones:

- Obtener acceso al menú rápido durante el recorrido.
- Puede acceder en la **Pant. estado** al menú de ajuste estando parado.
- Puede confirmar valores e indicaciones de información.
- Puede abandonar un diálogo.

Si el ordenador de a bordo se retira de su soporte y no se apaga, se muestran informaciones sobre el último trayecto recorrido, así como diferentes informaciones de estado. Con la tecla de la luz de la bicicleta **(3)** puede cambiar a la siguiente pantalla.

Si no se pulsa ningún botón después de retirarlo del soporte, el ordenador de a bordo se apaga transcurrido 1 minuto.

Orden de indicación de la pantalla

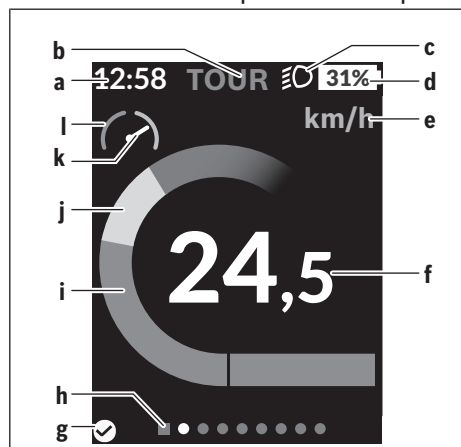
Cuando el ordenador de a bordo está colocado en su soporte, puede acceder a las siguientes indicaciones sucesivamente:

1. Pantalla de inicio

2. Hora y autonomía
3. Recorrido y tiempo de marcha
4. Mi potencia, frecuencia de pedaleo y frecuencia cardíaca
5. Velocidad media y velocidad máxima
6. Recorrido, autonomía, mi potencia y frecuencia cardíaca
7. Subida, calorías y recorrido total
8. Pantalla de indicaciones para la navegación: <**Planifique una ruta en la aplicación para smartphone eBike Connect**>
9. Pantalla de estado

Pantalla de inicio (Start-Screen)

Tan pronto como coloque por primera vez el ordenador de a bordo conectado en el soporte, aparecerá la siguiente pantalla de inicio. A continuación, el ordenador de a bordo memoriza la última pantalla y la vuelve a mostrar la próxima vez que se conecte.



- a** Indicador de hora/velocidad
- b** Indicador de nivel de asistencia
- c** Indicador de luz de marcha
- d** Indicador del estado de carga de la batería de la eBike
- e** Indicador de la unidad de velocidad^{a)}
- f** Velocidad
- g** Estado de conexión

- h** Barra de orientación
- i** Potencia de accionamiento
- j** Rendimiento propio
- k** Velocidad media
- l** Evaluación del rendimiento

a) se puede cambiar a través de la pantalla de estado **<Configuración>/<Conf. Sistema>** entre km/h y mph

Los indicadores **a...d** forman la barra de estado y se muestran en cada pantalla. Si en la pantalla ya se muestra la velocidad, el indicador **a** cambia a la hora actual en horas y minutos. En la barra de estado se muestran:

- **Velocidad/hora:** La velocidad actual en km/h o mph o la hora actual
- **Nivel de asistencia:** Indicador de la asistencia seleccionada actualmente en una codificación de color
- **Luz:** Un símbolo para la luz conectada
- **Estado de carga de la batería de la eBike:** indicación porcentual del estado de carga actual

En la evaluación del rendimiento **l** se le muestra gráficamente la velocidad actual en relación con su velocidad media **k**.

- Puntero en la zona naranja (lado izquierdo): bajo la velocidad media
- Puntero en la zona verde (lado derecho): sobre la velocidad media
- Puntero en el centro: corresponde a la velocidad media

La barra de orientación **h** le permite detectar en qué pantalla se encuentra. Su pantalla actual se representa resaltada. Con las teclas **< (10)** y **> (8)** puede visualizar otras pantallas.

Desde la primera pantalla de inicio puede acceder a la pantalla de estado a través de la tecla **< (10)**.

Pant. estado



Además de la barra de estado, la pantalla de estado muestra la hora actual, el estado de carga de todos los acumuladores de su eBike y el estado de carga de la batería de su teléfono inteligente, en caso de que esté conectado a través de *Bluetooth*[®].

- ✓ buena conexión
- ! mala conexión
- × ninguna conexión

También se muestra la fecha de la última sincronización de su teléfono inteligente y Kiox.

En la zona inferior tiene acceso a los **<Configuración>**.

<Configuración>

Se puede acceder al menú de configuración a través de la pantalla de estado. No se puede entrar a los **<Configuración>** ni adaptarlos durante el recorrido.

Con las teclas **- (11)** y **+ (12)** puede seleccionar el ajuste deseado y abrir éste así como eventualmente otros submenús con la tecla de selección **(9)**. Desde el respectivo menú de configuración, puede usar la tecla **< (10)** para regresar al menú anterior.

En el primer nivel de navegación, encontrará las siguientes zonas principales:

- **<Registro>** – Indicaciones para el registro:
Esta opción de menú sólo se muestra, si aún no se ha registrado en eBike Connect.

– **<Mi eBike>** – Ajustes de su eBike

Puede poner a "0" automática o manualmente los contadores, como kilometraje diario y valores medios, así como restaurar la autonomía. Puede modificar el valor preajustado por el fabricante del perímetro de la rueda en un $\pm 5\%$. Si su eBike está equipada con **eShift**, también puede configurar aquí su sistema eShift. El fabricante o el distribuidor de la bicicleta puede tomar como base el tiempo de autonomía o un determinado intervalo de tiempo para fijar la fecha del mantenimiento. En la opción **<Mantenimiento: ...>** se muestra la fecha del siguiente mantenimiento. En el lado del componente de la bicicleta se muestran el número de serie, la versión de hardware y de software y otros datos característicos relevantes del componente en cuestión.

– **<Pantallas>** Aquí puede configurar el contenido y el orden de las pantallas así como reponerlas a los ajustes de fábrica si es necesario.

– **<Bluetooth>** – la conexión o la desconexión de la función *Bluetooth*[®]: se muestran los aparatos conectados, como monitor de frecuencia cardíaca.

– **<Mi perfil>** – Datos del usuario activo
Sólo se muestra si el usuario está registrado.

– **<Conf. Sistema>** – una lista de opciones para el ajuste de su ordenador de a bordo:
Puede elegir la indicación de la velocidad y la distancia en kilómetros o en millas, la hora en formato de 12 o de 24 horas y también puede ajustar la hora, la fecha y el huso horario y su idioma preferido. Puede reponer Kiox al ajuste de fábrica, iniciar una actualización de software (si está disponible) y elegir entre un diseño negro o blanco.

– **<Información>** – Informaciones respecto a su Kiox:
Indicaciones respecto a preguntas frecuentes (FAQ), certificación, informaciones de contactos, informaciones de licencias

– **<Certificados>**



Una descripción detallada de los diferentes parámetros se encuentra en las instrucciones de servicio online bajo www.Bosch-eBike.com/Kiox-manual.

Menú rápido

A través del **Menú rápido** se muestra una selección de ajustes que también pueden adaptarse durante el recorrido.

El acceso al **Menú rápido** es posible a través de la tecla de selección **(9)**. Desde **Pant. estado**, el acceso no es posible.

A través del **Menú rápido** puede llevar a cabo los siguientes ajustes:

– **<¿Reajustar recorrido?>**

Todos los datos de la distancia recorrida hasta entonces se reponen a cero.

– **<eShift>** (opcional)

Aquí puede ajustar la frecuencia de pedaleo..

– **<eSuspension>** (opcional)

Aquí puede configurar un modo de amortiguación o suspensión definido por el fabricante.

Mantenimiento y limpieza

Todos los componentes no deben limpiarse con agua a presión.

Mantenga limpia la pantalla de su ordenador de a bordo. La suciedad puede afectar a la luminosidad de la pantalla.

Para limpiar el ordenador de a bordo, utilice un paño suave, humedecido únicamente con agua. No utilice productos de limpieza.

Deje revisar su eBike al menos una vez al año (entre otros el sistema mecánico, la actualización del software del sistema).

Adicionalmente, el distribuidor de bicicletas puede tomar como base un kilometraje y/o un intervalo de tiempo para fijar la fecha del servicio. En ese caso, el ordenador de a bordo le mostrará el vencimiento de la fecha de mantenimiento al encender el ordenador.

Para el servicio o las reparaciones de la eBike, contáctese con un distribuidor de bicicletas autorizado.

► **Encargue todas las reparaciones únicamente a un distribuidor de bicicletas autorizado.**

Resolución de problemas

Los componentes de la eBike se comprueban constantemente de forma automática. Si se determina un error, se muestra el correspondiente código de error en el ordenador de a bordo.

Dependiente del tipo de fallo, el accionamiento se puede desconectar automáticamente. La continua-

ción del viaje sin asistencia por el accionamiento es posible en cualquier momento. Antes de emprender otros recorridos, la eBike debe ser revisada.

► **Encargue todas las reparaciones únicamente a un distribuidor de bicicletas autorizado.**

Código	Causa	Remedio
410	Se han bloqueado una o más teclas del ordenador de a bordo.	Compruebe si hay teclas atascadas, p. ej. por penetración de suciedad. Si procede, limpie las teclas.
414	Problema de conexión de la unidad de mando	Encargue la revisión de las conexiones y las uniones
418	Se han bloqueado una o varias teclas del ordenador de a bordo.	Compruebe si hay teclas atascadas, p. ej. por penetración de suciedad. Si procede, limpie las teclas.
419	Fallo de configuración	Reinicie el sistema. Si el problema persiste, contacte con su distribuidor de eBike Bosch.
422	Problema de conexión en la unidad motriz	Encargue la revisión de las conexiones y las uniones
423	Problema de conexión de la batería de la eBike	Encargue la revisión de las conexiones y las uniones
424	Error de comunicación entre los componentes	Encargue la revisión de las conexiones y las uniones
426	Fallo interno de superación de tiempo	Reinicie el sistema. Si el problema persiste, contacte con su distribuidor de eBike Bosch. En este estado de error, no es posible visualizar o ajustar el perímetro del neumático en el menú de configuración básica.
430	La batería interna del ordenador de a bordo está descargada (no con BUI350)	Cargar el ordenador de a bordo (en el soporte o mediante el puerto USB)
431	Error de versión del software	Reinicie el sistema. Si el problema persiste, contacte con su distribuidor de eBike Bosch.
440	Fallo interno de la unidad motriz	Reinicie el sistema. Si el problema persiste, contacte con su distribuidor de eBike Bosch.
450	Error interno de software	Reinicie el sistema. Si el problema persiste, contacte con su distribuidor de eBike Bosch.
460	Error en la conexión USB	Retire el cable de la conexión USB del ordenador de a bordo. Si el problema persiste, contacte con su distribuidor de eBike Bosch.

Código	Causa	Remedio
490	Error interno del ordenador de a bordo	Encargue la revisión del ordenador de a bordo
500	Fallo interno de la unidad motriz	Reinicie el sistema. Si el problema persiste, contacte con su distribuidor de eBike Bosch.
502	Fallo en la iluminación de la bicicleta	Compruebe la luz y el cableado correspondiente. Reinicie el sistema. Si el problema persiste, contacte con su distribuidor de eBike Bosch.
503	Fallo del sensor de velocidad	Reinicie el sistema. Si el problema persiste, contacte con su distribuidor de eBike Bosch.
504	Se ha detectado una manipulación de la señal de velocidad.	Compruebe la posición del imán de memoria y ajústela si es necesario. Comprobar si existe manipulación (tuneo). La asistencia del accionamiento disminuye.
510	Avería interna del sensor	Reinicie el sistema. Si el problema persiste, contacte con su distribuidor de eBike Bosch.
511	Fallo interno de la unidad motriz	Reinicie el sistema. Si el problema persiste, contacte con su distribuidor de eBike Bosch.
530	Fallo del acumulador	Desconecte la eBike, extraiga el acumulador del mismo y vuelva a colocarlo. Reinicie el sistema. Si el problema persiste, contacte con su distribuidor de eBike Bosch.
531	Fallo de configuración	Reinicie el sistema. Si el problema persiste, contacte con su distribuidor de eBike Bosch.
540	Fallo de temperatura	La eBike se encuentra fuera del rango de temperatura permitido. Desconecte el sistema eBike y deje que la unidad motriz se enfríe o se caliente para que se sitúe en el rango de temperatura permitido. Reinicie el sistema. Si el problema persiste, contacte con su distribuidor de eBike Bosch.
550	Se ha detectado un consumidor no autorizado.	Elimine el consumidor. Reinicie el sistema. Si el problema persiste, contacte con su distribuidor de eBike Bosch.
580	Error de versión del software	Reinicie el sistema. Si el problema persiste, contacte con su distribuidor de eBike Bosch.
591	Error de autenticación	Desconecte el sistema eBike. Extraiga el acumulador y vuelva a instalarlo. Reinicie el sistema. Si el problema persiste, contacte con su distribuidor de eBike Bosch.
592	Componentes incompatibles	Utilizar una pantalla compatible. Si el problema persiste, contacte con su distribuidor de eBike Bosch.
593	Fallo de configuración	Reinicie el sistema. Si el problema persiste, contacte con su distribuidor de eBike Bosch.

Código	Causa	Remedio
595, 596	Error de comunicación	Compruebe el cableado hasta la caja de cambios y reinicie el sistema. Si el problema persiste, contacte con su distribuidor de eBike Bosch.
602	Fallo interno del acumulador	Reinicie el sistema. Si el problema persiste, contacte con su distribuidor de eBike Bosch.
603	Fallo interno del acumulador	Reinicie el sistema. Si el problema persiste, contacte con su distribuidor de eBike Bosch.
605	Fallo de temperatura del acumulador	El acumulador se encuentra fuera del rango de temperatura permitido. Desconecte el sistema eBike y deje que el acumulador se enfríe o se caliente para que se sitúe en el rango de temperatura permitido. Reinicie el sistema. Si el problema persiste, contacte con su distribuidor de eBike Bosch.
606	Fallo externo del acumulador	Compruebe el cableado. Reinicie el sistema. Si el problema persiste, contacte con su distribuidor de eBike Bosch.
610	Fallo de tensión del acumulador	Reinicie el sistema. Si el problema persiste, contacte con su distribuidor de eBike Bosch.
620	Fallo del dispositivo de carga	Sustituya el dispositivo de carga. Contacte con su distribuidor de eBike Bosch.
640	Fallo interno del acumulador	Reinicie el sistema. Si el problema persiste, contacte con su distribuidor de eBike Bosch.
655	Fallo múltiple del acumulador	Desconecte el sistema eBike. Extraiga el acumulador y vuelva a instalarlo. Reinicie el sistema. Si el problema persiste, contacte con su distribuidor de eBike Bosch.
656	Error de versión del software	Contacte con su distribuidor de eBike Bosch para que le actualicen el software.
7xx	Error en componentes de terceros	Observe las indicaciones del manual de instrucciones de uso del fabricante del componente correspondiente.
Ninguna indicación	Error interno del ordenador de a bordo	Reinicie el sistema eBike apagándolo y volviéndolo a encender.

Programa de reciclaje de baterías



La unidad de accionamiento, el ordenador de a bordo incl. la unidad de mando, el acumulador para eBike, el sensor de velocidad, los accesorios y los embalajes deben reciclarse de forma respetuosa con el medio ambiente.

¡No arroje eBikes y sus componentes a la basura!



Puede reciclar su paquete de baterías de Bosch llamando al 1.800.822.8837.