

Cette notice contient d'importantes informations sur la sécurité, les performances et l'entretien. Lisez-les et comprenez-les ainsi que les informations fournies par le fabricant de votre vélo avant d'utiliser le produit, et conservez-les pour référence ultérieure.

## Owner's Manual SmartphoneGrip

BSP3200



**Robert Bosch GmbH**  
72757 Reutlingen  
Germany

[www.bosch-ebike.com](http://www.bosch-ebike.com)

0 275 U08 3SG (2023.03) T / 38



**Este manual contiene información importante de seguridad, rendimiento y mantenimiento. Léalo y asegúrese de entenderlo junto con la información que le ha facilitado el fabricante de su bicicleta antes de usar el producto; guárdelo a modo de referencia.**

**en** Original operating instructions  
**fr** Notice d'utilisation d'origine  
**es** Instrucciones de servicio originales

**This manual contains important safety, performance and service information. Read and understand it along with the information provided to you by your bicycle manufacturer before using the product, and keep it for reference.**



# Table of Contents

Introduction .....	2
About Warnings .....	2
General Warnings .....	2
Using your Manual .....	3
Operating your Bosch Drive System .....	4
Safety Instructions .....	4
Product description and specifications .....	7
Assembly .....	9
Operation .....	11
Maintenance and servicing .....	12
Maintenance and cleaning .....	12
Transport .....	12
After-sales service and advice on using products .....	12
Battery Recycling Program .....	12

# Introduction

## About Warnings

This manual contains many **DANGER**, **WARNING**, and **CAUTION** indicators concerning the consequences of failure to use, assemble, maintain, store, inspect and dispose of a Bosch-equipped eBike in a safe manner.

- The combination of the safety alert symbol and the word **DANGER** indicates a hazardous situation that, if not avoided, will result in death or serious injury.
- The combination of the safety alert symbol and the word **WARNING** indicates a hazardous situation that, if not avoided, could result in death or serious injury.
- The combination of the safety alert symbol and the word **CAUTION** indicates a hazardous situation that, if not avoided, could result in minor or moderate injury.

## General Warnings



**Read all safety warnings and all instructions.** Failure to follow the warnings and instructions may result in death or serious injury.

**Save all safety warnings and instructions for future reference.**

The term **eBike battery** used in these operating instructions refers to all original Bosch eBike batteries from the system generation **the smart system**.

- ▶ **Read ALL accompanying manuals before riding the bike for the first time.** Your Bosch Drive System comes with additional manuals and documents provided by the manufacturer of the bicycle and other components. Failure to read and understand safety information can result in death or serious injury.

### **WARNING**

- ▶ **This manual contains important safety, performance and service information.** Read it before you take the first ride on your new bicycle, and keep it for reference. The manual can also be found online at [www.bosch-ebike.com](http://www.bosch-ebike.com).
- ▶ **This manual is intended to be read together with the separate user manual provided with your bicycle.** Be sure to read all provided documents including labels on the product before your first ride.

- ▶ **Take responsibility for your own SAFETY.** If you have any questions or do not understand something, consult with your dealer or the bicycle or component manufacturer.
- ▶ **Some eBike accessories may present a choking hazard to small children.** Keep these accessories away from children.

### **CAUTION**

- ▶ **The Bosch Drive System adds weight to your bicycle which you may not be used to lift.** Avoid injury, use proper lifting techniques.

## Using your Manual

In addition to the functions outlined here, changes to software relating to troubleshooting and functional modifications may be introduced at any time.

### Graphics

The bicycle shown in this manual may differ slightly from your bicycle, but will be similar enough to help you understand our instructions.

RIGHT-HAND and LEFT-HAND sides are determined by facing in the direction the bicycle will travel when going forward. When you see a broken line (-----), the item referred to is hidden from view.

# Operating your Bosch Drive System

## Safety Instructions



**Read all the safety information and instructions.** Failure to observe the safety information and follow instructions may result in electric shock, fire and/or serious injury.

**Save all safety warnings and instructions for future reference.**

The term **eBike battery** used in these operating instructions refers to all original Bosch eBike batteries from the system generation **the smart system**.

The terms **drive** and **drive unit** used in these operating instructions refer to all original Bosch drive units from the system generation **the smart system**.

- ▶ **Read and observe the safety warnings and instructions in all operating instructions of the eBike system and your eBike.**
- ▶ **Do not allow your attention to be diverted from surrounding traffic when using Bosch eBike components and always ride with both hands on the handlebars. Always observe the applicable legal provisions in your country for the permitted use of your eBike in road traffic. In particular, note that it is prohibited to pick up or hold your smartphone in your hand while cycling on public streets.**
- ▶ **Set the smartphone brightness so that you can adequately see important information such as speed and warning symbols.** Incorrectly set brightness may lead to dangerous situations.
- ▶ **The contact surfaces of the display holder may become very hot (> 140 °F). Allow the contact surfaces to adjust to the ambient temperature before you touch them.** This is particularly important when using a SmartphoneGrip.
- ▶ **Consult a doctor before using fitness app programs.** Fitness apps may cause people to overexert themselves physically.
- ▶ **Always observe local restrictions for using electronic devices.**
- ▶ **Avoid using the device in close proximity to your body over an extended period of time.**
- ▶ **Do not stand your eBike upside down on its saddle and handlebars if the SmartphoneGrip or its holder protrude from the handlebars.** This may irreparably damage the SmartphoneGrip or the holder.
- ▶ **Do not use the SmartphoneGrip as a handle.** Lifting the eBike up by the SmartphoneGrip can cause irreparable damage to the SmartphoneGrip.
- ▶ **Do not open the SmartphoneGrip.** Opening the SmartphoneGrip can result in irreparable damage and void your warranty.
- ▶ **Caution!** Using the SmartphoneGrip with *Bluetooth*<sup>®</sup> and/or Wi-Fi can interfere with the operation of other devices and systems, including airplanes and medical devices (e.g. pacemakers, hearing aids). Similarly, the possibility that this may cause damage to humans and animals in the immediate vicinity cannot be completely excluded. Do not use the SmartphoneGrip with *Bluetooth*<sup>®</sup> in the vicinity of medical devices, service stations, chemical plants, blasting areas or other areas where there is a risk of explosion. Do not use the SmartphoneGrip with *Bluetooth*<sup>®</sup> in airplanes. Avoid using the device in close proximity to your body over an extended period of time.
- ▶ The *Bluetooth*<sup>®</sup> wordmark and its logos are the registered trademarks and property of Bluetooth SIG, Inc. Any use of this wordmark/these logos by Robert Bosch GmbH, Bosch eBike Systems is under license.
- ▶ **Do not enter information or make selections while riding.** Interacting with the display unit while riding can lead to accidents causing serious injury

or death. You must observe road and traffic conditions, and comply with traffic laws at all times.

- ▶ **Using your mobile device while operating an eBike may be distracting. Distracted driving is a serious safety concern and can lead to accidents causing serious injury or death. In order to prevent distracted driving, most devices come equipped with a “Do Not Disturb” mode. The “Do Not Disturb” mode should be used while operating an eBike.** Please consult your device-specific instructions for more information. You, as the eBike operator, are fully responsible for ensuring that you pay attention to road conditions and comply with traffic laws at all times.
- ▶ Please note that certain State or local laws may require that class III eBikes must be equipped with a functioning speedometer that displays speed in miles per hour. Riders must be aware of any and all applicable rules and regulations related to the operation or use of class III eBikes in any applicable jurisdictions before operating or otherwise using this product.
- ▶ **Choose the USB charging cable length appropriately.** USB charging cable length must not be long enough to catch in handlebar or front wheel. This is important to prevent personal injury.

**NOTICE:** This device complies with part 15 of the FCC Rules. Operation is subject to the following two conditions:

1. This device must not cause harmful interference, and
2. this device must accept any interference received, including interference that may cause undesired operation.

**NOTICE:** Changes or modifications made to this equipment not expressly approved by the Robert Bosch GmbH may void the FCC authorization to operate this equipment.

**NOTE:** This equipment has been tested and found to comply with the limits for a Class B digital device, pursuant to Part 15 of the FCC Rules. These limits are designed to provide reasonable protection against

harmful interference in a residential installation. This equipment generates, uses and can radiate radio frequency energy and, if not installed and used in accordance with the instructions, may cause harmful interference to radio communications. However, there is no guarantee that interference will not occur in a particular installation. If this equipment does cause harmful interference to radio or television reception, which can be determined by turning the equipment off and on, the user is encouraged to try to correct the interference by one or more of the following measures:

- Reorient or relocate the receiving antenna.
- Increase the separation between the equipment and receiver.
- Connect the equipment into an outlet on a circuit different from that to which the receiver is connected.
- Consult the dealer or an experienced radio/TV technician for help.

#### **Radiofrequency radiation exposure Information:**

The radiated output power of the device is far below the FCC radio frequency exposure limits. Nevertheless, the device shall be used in such a manner that the potential for human contact during normal operation is minimized.

This equipment complies with FCC radiation exposure limits set forth for an uncontrolled environment. This equipment should be installed and operated with minimum distance of 20 cm between the radiator and your body. This transmitter must not be co-located or operating in conjunction with any other antenna or transmitter.

#### **ISED Notice (Canada)**

This device contains licence-exempt transmitter(s)/ receiver(s) that comply with Innovation, Science and Economic Development Canada’s licence-exempt RSS(s). Operation is subject to the following two conditions:

1. this device may not cause interference, and

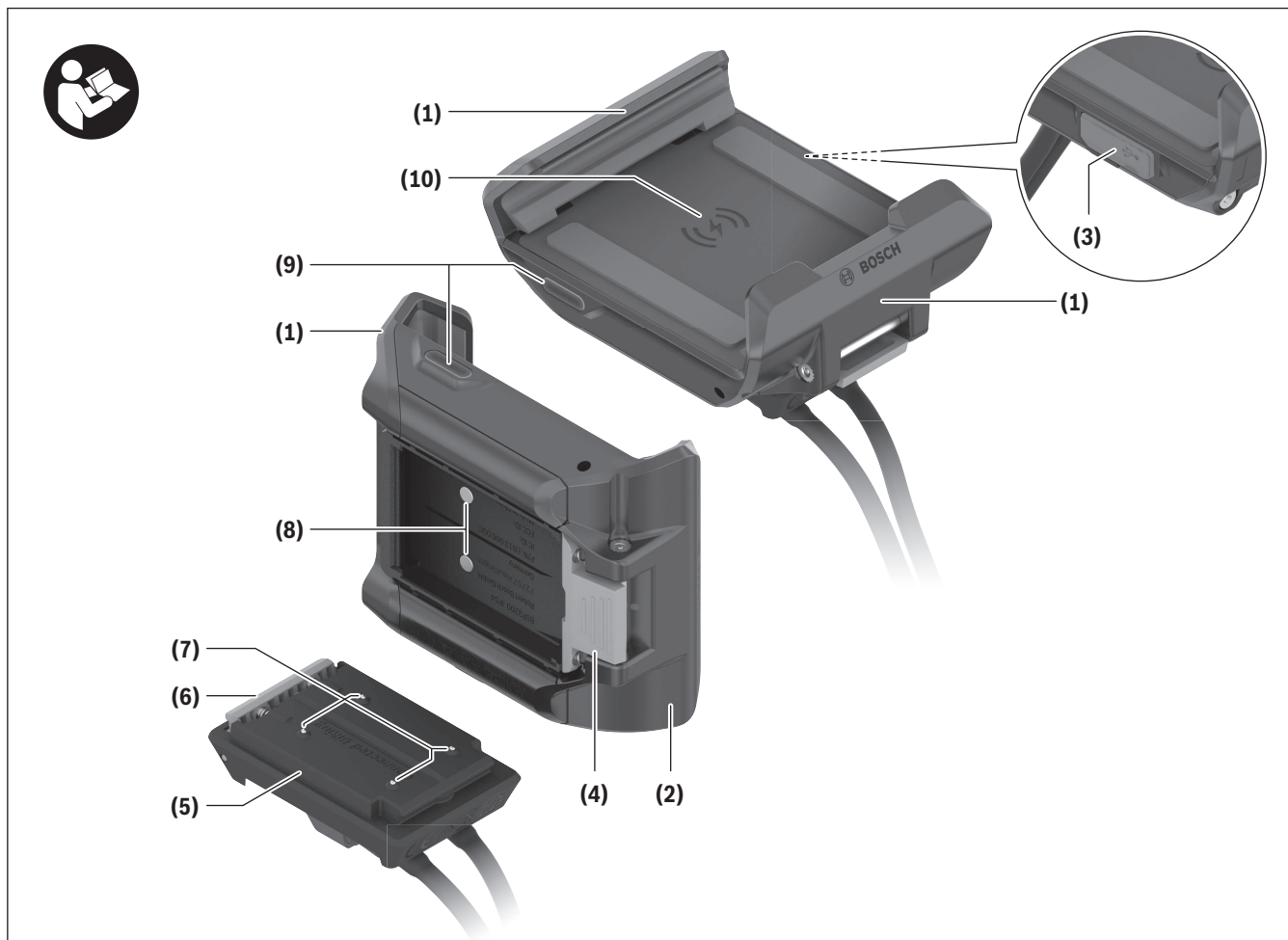
2. this device must accept any interference, including interference that may cause undesired operation of the device.

This equipment complies with Canada radiation exposure limits set forth for an uncontrolled environment. This equipment should be installed and operated with minimum distance of 20 cm between the radiator and your body. This transmitter must not be co-located or operating in conjunction with any other antenna or transmitter.



## Product description and specifications

### Product Features



All illustrations of bike parts except for the drive unit, SmartphoneGrip including operating unit, speed sensor and the corresponding holders are schematic and may differ on your eBike.

- (1)** Front retraining bracket, movable
- (2)** Rear retaining bracket, fixed
- (3)** USB port with USB cap
- (4)** Release mechanism
- (5)** SmartphoneGrip mount
- (6)** Snap-in hook
- (7)** Socket contacts
- (8)** SmartphoneGrip contacts

- (9)** Status LED
  - (10)** Inductive charging coil
  - (11)** Keypad lock
  - (12)** Hex key<sup>a)</sup>
  - (13)** Smartphone<sup>a)</sup>
- a) Not included in the scope of delivery

## Intended Use

The Bosch SmartphoneGrip is designed to hold and charge a smartphone on the handlebars of a Bosch eBike of the system generation **the smart system**.

In addition to the functions outlined here, changes to software relating to troubleshooting and functional modifications may be introduced at any time.

The SmartphoneGrip is suitable for cycling on reinforced paths without jumps and with few ledges

(< 15 cm) at average speeds of between 9 and 15 mph, for example on asphalt roads, country paths, paths reinforced with gravel or sand, and reinforced woodland paths.

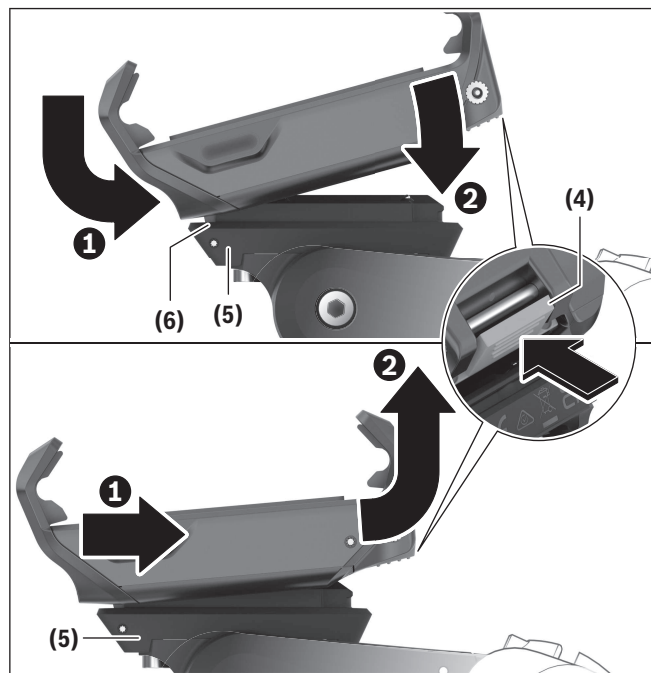
In case of improper use, there is a risk of the smartphone coming loose from the SmartphoneGrip, falling down and becoming damaged as a result. There is also a considerable risk of an accident if the smartphone falls out.

## Technical Data

Smartphone holder	SmartphoneGrip	
Product code		BSP3200
Charging capacity via USB port	W	5 W (1 A at 5 V)
Inductive charging capacity	W	7.5 W (1,5 A at 5 V) Efficiency > 67 %
Operating temperature	°F	23 to 104
Storage temperature	°F	50 to 104
Protection rating		IP55
Weight, approx.	lb	0.2

## Assembly

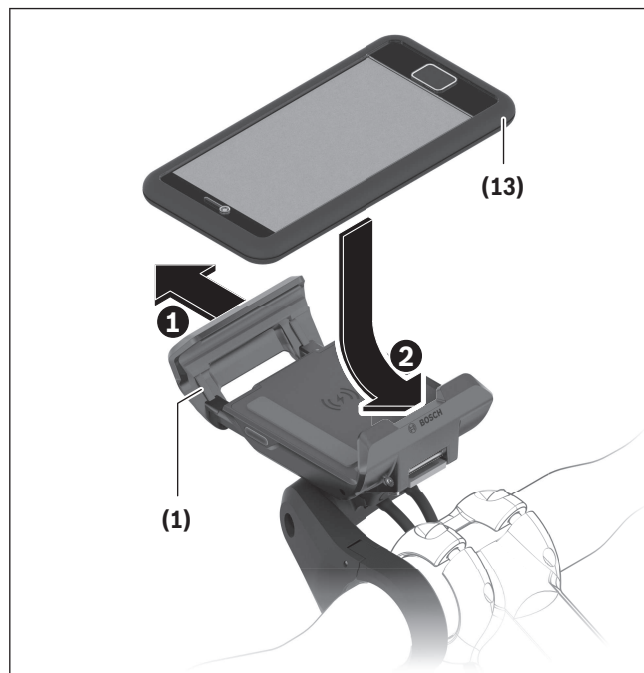
### SmartphoneGrip Assembly



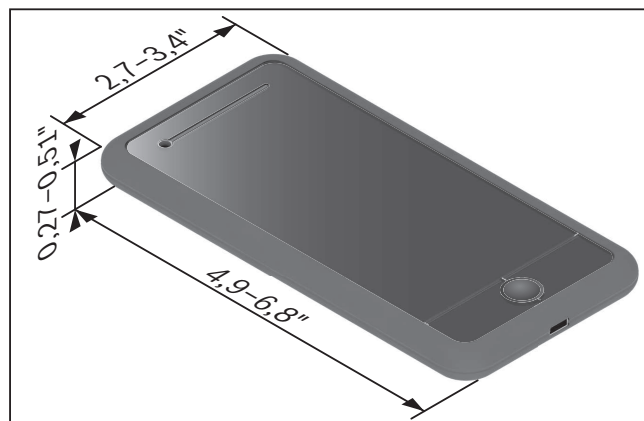
Press and hold the release mechanism **(4)** to **position** the SmartphoneGrip. Place the upper edge of the SmartphoneGrip next to the snap-in hook **(6)** of the SmartphoneGrip mount **(5)** **1**. Pull the SmartphoneGrip towards you and push the SmartphoneGrip onto the SmartphoneGrip mount **2**. Let go of the release mechanism **(4)**.

Press the release mechanism **(4)** while pulling it towards you **1** to **remove** the SmartphoneGrip. Lift off the SmartphoneGrip and release the release mechanism **(4)** **2**.

### Smartphone Assembly



The SmartphoneGrip can hold smartphones in the following sizes:



The specified dimensions include any phone cases. Smartphones with **folio and carrying cases** must not be used.

The total weight must not exceed 0.608 lbs.

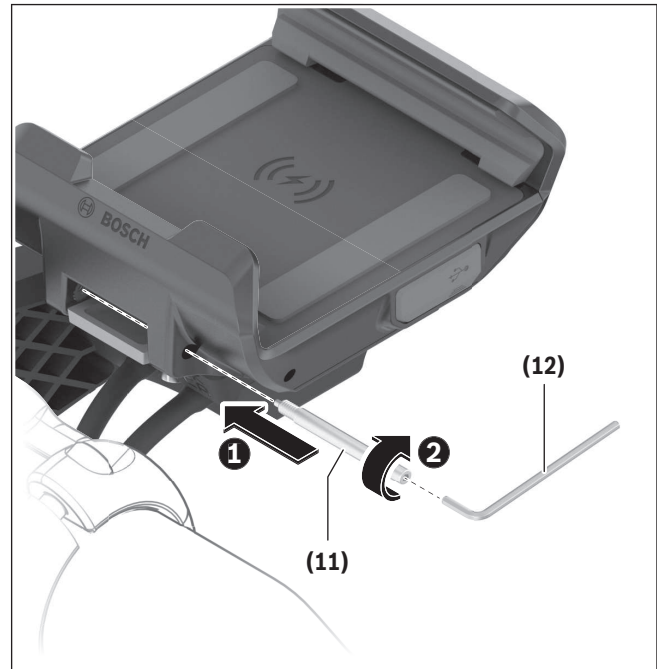
Insert your smartphone **(13)** with the long side of the phone positioned at the center against the movable retaining bracket **(1)**. Press the smartphone **(13)** against the movable retaining bracket **(1)** with both

hands ❶ and place your smartphone (13) in the SmartphoneGrip ❷.

- ▶ Be careful not to pinch your fingers between the movable retaining bracket and the SmartphoneGrip when inserting your smartphone.

Once you have inserted your smartphone, check that the smartphone cannot come into contact with any hard parts on the bike even in case of vibrations, as this could cause lasting damage to the smartphone.

## Keypad Lock Assembly



The keypad lock (11) supplied prevents the SmartphoneGrip from being quickly and easily removed by blocking the release mechanism (4).

To **insert** the keypad lock (11), slide the keypad lock (11) into the provided opening ❶ and carefully screw it into place with a hex key (1.5 mm) (12) ❷.

**Note:** The keypad lock is not an anti-theft device. The keypad lock prevents the SmartphoneGrip from being quickly removed from the holder. The keypad lock does not affect the smartphone in any way.

**Note:** Never leave your smartphone unattended in the SmartphoneGrip.

To **remove** the keypad lock (11), unscrew it with a hex key (1.5 mm) (12) and remove the keypad lock (11).

## Operation

### Start-up

Put the smartphone in the SmartphoneGrip.

Load the **eBike Flow** app to show your ride data.



Depending on the operating system of the smartphone, the **eBike Flow** app can be downloaded free of charge from the Apple App Store or Google Play Store.

Scan the code with your smartphone to download the **eBike Flow** app.

### Charging the Smartphone

While the smartphone is in the SmartphoneGrip, it can be charged at the same time as displaying riding data. If your smartphone has an inductive charging function, you can charge the smartphone without needing a cable.

#### Inductive Charging

The charging process starts automatically when you place a smartphone with an inductive charging function in the SmartphoneGrip. The status LED **(9)** lights up yellow. When the smartphone is fully charged, the status LED **(9)** will light up green permanently.

The charging voltage is switched off when you remove the smartphone from the holder.

#### Charging via USB

If your smartphone does not have an inductive charging function, you can charge your smartphone via the USB port **(3)**. To do so, open the USB cap and connect a separate USB cable (not included in the scope of delivery) to the Micro-A/B USB port.

Pay attention to the type of plug required for your smartphone when purchasing the USB cable.

**Note: If the eBike battery reaches a state of charge of 0 %, remove any loads that may be present (e.g. smartphone).**

### Status Indicators

The status LED **(9)** indicates the following statuses with different colors and lighting patterns.

Status	Behavior
Charging via USB	LED lights up blue.
Inductive charging starts	LED flashes yellow 3 times.
Inductive Charging	LED lights up yellow.
Fully charged	LED lights up green.
Error message	LED flashes red.

The following alarm states are detected and will lead to the inductive charging process being interrupted:

- Detection of foreign objects, e.g. coins, keys and other metallic objects
- Temperature alarm

If the SmartphoneGrip is outside of the operating temperature range, the status LED **(9)** will light up red and the charging process is interrupted. The charging process will resume as soon as the SmartphoneGrip is back within the operating temperature range.

- Overvoltage alarm at voltages above 6 V
- Undervoltage alarm at voltages below 4.2 V

# Maintenance and servicing

## Maintenance and cleaning

Use a soft cloth dampened only with water for cleaning. Do not use cleaning products of any kind.

► **Only have repairs performed by a certified bicycle dealer.**

Do not clean any of the components with pressurized water.

## Transport

► **If you transport your eBike attached to the outside of your car, e.g. on a bike rack, remove the SmartphoneGrip and the eBike battery (except**

**tion: built-in eBike battery) to avoid damaging them.**

## After-sales service and advice on using products

If you have any questions about the eBike and its components, contact an authorized bicycle retailer.

For contact details of authorized bike dealerships, please visit [www.bosch-ebike.com](http://www.bosch-ebike.com).

## Battery Recycling Program



The drive unit, on-board computer incl. operating unit, eBike battery, speed sensor, accessories and packaging should be disposed of in an environmentally correct manner.

Do not dispose of eBikes and their components with household waste.



You may recycle your Bosch battery pack by calling 1.800.822.8837.

# Table des matières

Introduction .....	2
À propos des avertissements.....	2
Avertissements généraux.....	2
Utilisez votre notice d'utilisation .....	3
Utilisation de votre système de commande Bosch .....	4
Consignes de sécurité .....	4
Description des prestations et du produit.....	7
Montage .....	9
Fonctionnement .....	11
Entretien et service après-vente .....	12
Nettoyage et entretien.....	12
Transport .....	12
Service après-vente et conseil utilisateurs .....	12
Programme de recyclage des accus .....	12

# Introduction

## À propos des avertissements

Cette notice contient de nombreuses mentions de danger de type **DANGER, AVERTISSEMENT** et **ATTENTION** destinées à attirer l'attention sur les conséquences d'erreurs, dans le but d'utiliser, d'assembler, d'entretenir, de conserver et d'éliminer dans les règles et en toute sécurité les vélos électriques dotés d'un système eBike Bosch.

- Le symbole de sécurité et le mot **DANGER** signalent une situation à risque élevé, qui entraîne inévitablement des blessures graves, voire la mort, si elle n'est pas évitée.

- Le symbole de sécurité et le mot **AVERTISSEMENT** signalent une situation à risque élevé, pouvant entraîner des blessures graves, voire la mort, si elle n'est pas évitée.
- Le symbole de sécurité et le mot **ATTENTION** signalent une situation à risque modéré pouvant entraîner des blessures légères ou modérées si elle n'est pas évitée.

## Avertissements généraux



**Lisez tous les avertissements de sécurité et toutes les instructions.** Le fait de ne pas respecter les avertissements et les instructions peut entraîner des blessures graves ou mortelles.

**Conservez tous les avertissements et toutes les instructions pour pouvoir s'y reporter ultérieurement.**

Le terme **batterie VAE** utilisé dans cette notice désigne toutes les batteries VAE Bosch d'origine de la génération **the smart system (le système intelligent)**.

- **Lisez TOUS les manuels et TOUTES les notices jointes avant d'utiliser votre vélo pour la première fois.** Votre système d'entraînement Bosch est livré avec d'autres manuels et documents fournis par le fabricant du vélo et des autres éléments. Ne pas lire ou ne pas comprendre les informations de sécurité peut entraîner des blessures graves ou mortelles.

### **AVERTISSEMENT**

- **Cette notice contient d'importantes informations sur la sécurité, les performances et l'entretien.** Veuillez la lire avant d'utiliser votre vélo pour

la première fois, et la conserver pour référence ultérieure. Vous pouvez également retrouver cette notice en ligne à l'adresse [www.bosch-ebike.com](http://www.bosch-ebike.com).

- **Cette notice est destinée à être lue conjointement avec le manuel utilisateur séparé fourni avec votre vélo.** Assurez-vous de lire tous les documents fournis y compris les étiquettes apposées sur le produit avant la première utilisation.
- **Assumez la responsabilité de votre propre SÉCURITÉ.** En cas de question ou d'incompréhension, contactez votre revendeur ou le fabricant du vélo ou de l'élément.
- **Certains accessoires de l'eBike peuvent présenter un risque d'étouffement pour les petits enfants.** Conservez ces accessoires hors de portée des enfants.

### **ATTENTION**

- **Le système d'entraînement Bosch alourdit votre vélo. Vous n'avez peut-être pas l'habitude de le soulever.** Évitez de vous blesser en utilisant des techniques de levage appropriées.



## Utilisez votre notice d'utilisation

Nous nous réservons le droit d'apporter à tout moment des modifications au logiciel pour corriger des erreurs ou pour modifier les fonctionnalités décrites dans la présente notice.

### Graphiques

Le vélo illustré dans cette notice peut être légèrement différent de votre vélo, mais il est suffisamment similaire pour vous permettre de comprendre nos instructions.

Les côtés DROIT et GAUCHE sont déterminés en se plaçant en situation, dans le sens de la marche du vélo. Lorsqu'une ligne en pointillé (-----) apparaît, l'élément auquel il est fait référence n'est pas visible.

# Utilisation de votre système de commande Bosch

## Consignes de sécurité



**Lisez attentivement toutes les instructions et consignes de sécurité.** Le non-respect des instructions et consignes de sécurité peut provoquer un choc électrique, un incendie et/ou entraîner de graves blessures.

**Conservez tous les avertissements et toutes les instructions pour pouvoir s’y reporter ultérieurement.**

Le terme **batterie VAE** utilisé dans cette notice désigne toutes les batteries VAE Bosch d’origine de la génération **the smart system (le système intelligent)**.

Les termes **unité d’entraînement** et **Drive Unit** utilisés dans cette notice désignent toutes les Drive Units Bosch d’origine de la génération **the smart system (le système intelligent)**.

- ▶ **Lisez et respectez les consignes de sécurité et les instructions de toutes les notices d’utilisation du système eBike, ainsi que la notice d’utilisation de votre eBike.**
  - ▶ **Ne détournez pas votre attention de la circulation lors de l’utilisation des accessoires Bosch eBike et roulez toujours en gardant les deux mains sur le guidon. Observez la législation de votre pays réglementant l’utilisation de votre vélo sur la voie publique. Il est notamment interdit de circuler sur la voie publique en tenant votre smartphone dans la main.**
  - ▶ **Réglez la luminosité du smartphone de façon à pouvoir bien voir les informations importantes telles que la vitesse ou les symboles d’avertissement.** Une luminosité mal réglée peut conduire à des situations dangereuses.
  - ▶ **Les surfaces de contact du support d’écran peuvent devenir très chaudes (plus de 140 °F). Laissez ces surfaces se refroidir avant de les**
- toucher.** Cette recommandation s’applique en particulier en cas d’utilisation d’un support SmartphoneGrip.
  - ▶ **Consultez un médecin avant d’utiliser les applications de sport et de fitness.** Les applications de fitness ne sont pas adaptées à toutes les personnes. Pour certaines, elles peuvent être trop contraignantes sur le plan physique.
  - ▶ **Respectez la réglementation en vigueur relative à l’utilisation des appareils électroniques.**
  - ▶ **Évitez une utilisation prolongée très près du corps.**
  - ▶ **Ne retournez pas le vélo en prenant appui sur le guidon et la selle quand le SmartphoneGrip ou son support sont montés sur le guidon.** Le SmartphoneGrip ou son support risqueraient de subir des dommages irréparables.
  - ▶ **Ne vous servez pas du SmartphoneGrip pour soulever le vélo.** Si vous soulevez votre vélo en le saisissant par le SmartphoneGrip, ce dernier risque d’être endommagé irrémédiablement.
  - ▶ **N’ouvrez pas le SmartphoneGrip.** Le fait d’ouvrir le SmartphoneGrip annule la garantie. Il risquerait par ailleurs d’être détérioré.
  - ▶ **Attention !** En cas d’utilisation du SmartphoneGrip en mode *Bluetooth*<sup>®</sup> et/ou WiFi, les ondes émises risquent de perturber le fonctionnement de certains appareils et installations ainsi que le fonctionnement des avions et des appareils médicaux (par ex. stimulateurs cardiaques, prothèses auditives). Les ondes émises peuvent aussi avoir un effet nocif sur les personnes et les animaux qui se trouvent à proximité immédiate de l’appareil. N’utilisez pas le SmartphoneGrip en mode *Bluetooth*<sup>®</sup> à proximité d’appareils médicaux, de stations-service, d’usines chimiques et lorsque vous vous trouvez dans des zones à risque d’explosion ou dans des zones de dynamitage. N’utilisez pas le SmartphoneGrip en

mode *Bluetooth*® dans les avions. Évitez une utilisation prolongée très près du corps.

- ▶ Le nom de marque *Bluetooth*® et le logo associé sont des marques déposées de la Bluetooth SIG, Inc. Toute utilisation de cette marque/de ce logo par la société Robert Bosch GmbH, Bosch eBike Systems s'effectue sous licence.
- ▶ **N'entrez aucune information et n'effectuez aucune sélection en roulant.** Toute interaction avec l'écran pendant la conduite peut provoquer des accidents graves voire mortels. Vous devez vous concentrer pleinement sur la route et sur la circulation routière et respecter le code de la route à tout instant.
- ▶ **L'utilisation de votre téléphone mobile en roulant détourne votre attention. Toute perte d'attention compromet la sécurité et risque de provoquer des accidents graves voire mortels. La grande majorité des appareils mobiles sont dotés d'un mode « Ne pas déranger » évitant tout risque de distraction en roulant. Pour plus de sécurité, activez toujours le mode « Ne pas déranger » pendant que vous roulez.** Pour plus d'informations, consultez la notice de votre téléphone mobile. Lorsque vous utilisez votre vélo électrique, vous êtes tenu de tenir compte des conditions de circulation et de respecter le code de la route à tout instant.
- ▶ Veuillez noter que certaines lois nationales ou locales peuvent exiger que les vélos électriques de classe III soient équipés d'un indicateur de vitesse en état de marche qui affiche la vitesse en kilomètres par heure. Avant toute mise en fonctionnement ou utilisation du produit, les cyclistes doivent connaître et observer toutes les règles et réglementations applicables relatives au fonctionnement ou à l'utilisation des vélos de classe III déterminées par la juridiction concernée.
- ▶ **Choisissez un câble de charge USB de longueur appropriée.** Le câble de charge USB ne doit pas être trop long car il pourrait alors se prendre dans

la roue avant ou dans le guidon. Cela est primordial pour exclure tout risque d'accident corporel.

**REMARQUE :** Cet appareil est conforme à la partie 15 du règlement de la FCC. L'utilisation est autorisée sous réserve des deux conditions suivantes :

1. L'appareil ne doit pas produire de brouillage, et
2. l'utilisateur de l'appareil doit accepter tout brouillage radioélectrique subi, même si le brouillage est susceptible d'en compromettre le fonctionnement.

**REMARQUE :** Tous les changements et toutes les modifications apportés à cet équipement qui ne sont pas approuvés de façon explicite par Robert Bosch GmbH risquent d'annuler l'autorisation FCC d'utilisation de cet équipement.

**REMARQUE :** Cet équipement a été testé et déclaré conforme aux limites applicables aux appareils numériques de classe B, selon la section 15 de la réglementation FCC. Ces limites sont destinées à assurer une protection raisonnable contre les interférences nuisibles dans une installation résidentielle. Cet équipement génère, utilise et peut émettre de l'énergie radiofréquence qui, en cas d'installation et d'utilisation non conforme aux instructions, peut provoquer des interférences susceptibles de perturber les communications radio. Toutefois, rien ne garantit l'absence d'interférences dans une installation particulière. Si cet appareil produit des interférences perturbant la réception des programmes radio ou télévision (peut être mis en évidence en éteignant et rallumant l'appareil), il est conseillé à l'utilisateur d'essayer de réduire ces interférences en prenant l'une ou plusieurs des mesures suivantes :

- Modifier l'orientation ou l'emplacement de l'antenne réceptrice.
- Éloigner l'appareil du récepteur.
- Connecter l'appareil à une prise différente de celle dans laquelle est branché le récepteur.
- Demander conseil au fournisseur ou à un technicien spécialisé en radio/télévision.

**Information sur l'exposition aux rayonnements radiofréquence :** La puissance rayonnée par cet appa-

reil est très inférieure aux limites d'exposition aux ondes radio définies par la FCC. Néanmoins, l'appareil doit être utilisé de façon à minimiser la possibilité de contact humain avec l'antenne en fonctionnement normal.

Cet équipement respecte les limites d'exposition aux rayonnements définies par FCC pour un environnement non contrôlé. Cet équipement doit être installé et utilisé en maintenant une distance minimale de 20 cm entre la source de rayonnement et votre corps. Cet émetteur ne doit pas être placé à proximité d'une autre antenne ou d'un autre émetteur ou être utilisé en combinaison avec n'importe quelle autre antenne ou émetteur.

### **Remarques ISDE (Canada)**

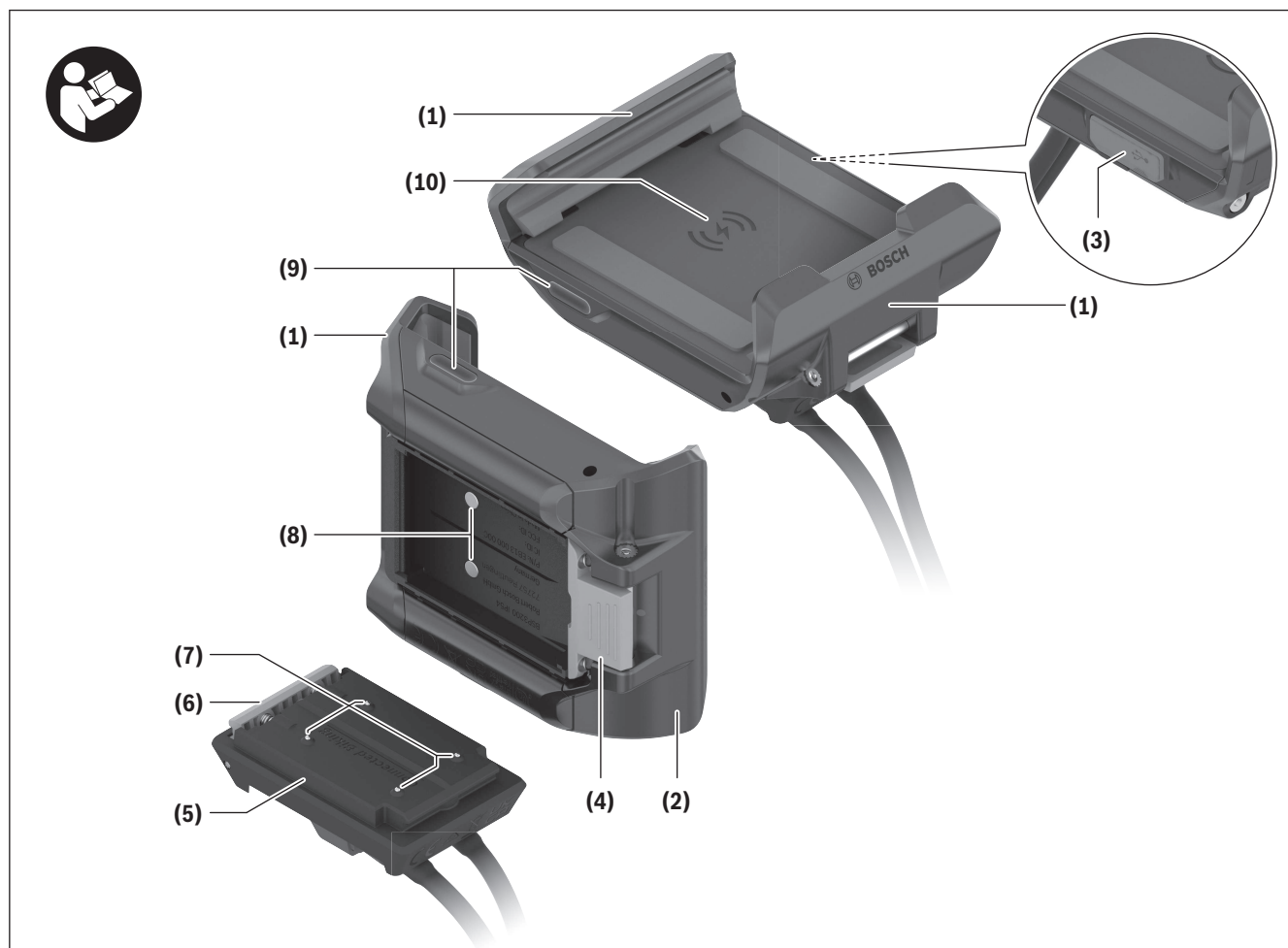
Cet appareil contient un/des émetteur(s)/récepteur(s) exempt(s) de licence conforme(s) aux CNR d'Innovation, Sciences et Développement économique Canada applicables aux équipements exempts de licence. L'utilisation est autorisée sous réserve des deux conditions suivantes :

1. l'appareil ne doit pas produire de brouillage, et
2. l'appareil doit accepter tout brouillage radioélectrique subi, même si le brouillage est susceptible d'en compromettre le fonctionnement.

Cet équipement respecte les limites d'exposition aux rayonnements définies par le Canada pour un environnement non contrôlé. Cet équipement doit être installé et utilisé en maintenant une distance minimale de 20 cm entre la source de rayonnement et votre corps. Cet émetteur ne doit pas être placé à proximité d'une autre antenne ou d'un autre émetteur ou être utilisé en combinaison avec n'importe quelle autre antenne ou émetteur.

## Description des prestations et du produit

### Caractéristiques du produit



Toutes les pièces de vélo, à l'exception de la Drive Unit et du SmartphoneGrip, y compris la commande déportée, le capteur de vitesse et leurs fixations sont représentées de manière schématique. Elles peuvent différer de celles de votre vélo électrique.

- (1)** Étrier de maintien avant - mobile
- (2)** Étrier de maintien arrière - fixe
- (3)** Prise USB avec obturateur
- (4)** Mécanisme de déverrouillage
- (5)** Support du SmartphoneGrip
- (6)** Crochet de blocage
- (7)** Contacts électriques du support

- (8)** Contacts électriques du SmartphoneGrip
- (9)** LED d'état
- (10)** Bobine de charge inductive
- (11)** Tige de blocage
- (12)** Clé six pans mâle<sup>a)</sup>
- (13)** Smartphone<sup>a)</sup>

a) pas fourni

## Utilisation conforme

Le SmartphoneGrip Bosch permet de fixer et charger un smartphone sur le guidon d'un VAE doté d'un système eBike Bosch de la génération **the smart system (le système intelligent)**.

Nous nous réservons le droit d'apporter à tout moment des modifications au logiciel pour corriger des erreurs ou pour modifier les fonctionnalités décrites dans la présente notice.

Le SmartphoneGrip est conçu pour une utilisation sur des chemins stabilisés, peu accidentés avec de

faibles différences de niveaux (< 15 cm), à des vitesses comprises entre 9 et 15 mph, p. ex. sur des routes asphaltées, des chemins de campagne, des pistes forestières stabilisées ou des chemins stabilisés avec du sable ou du gravier.

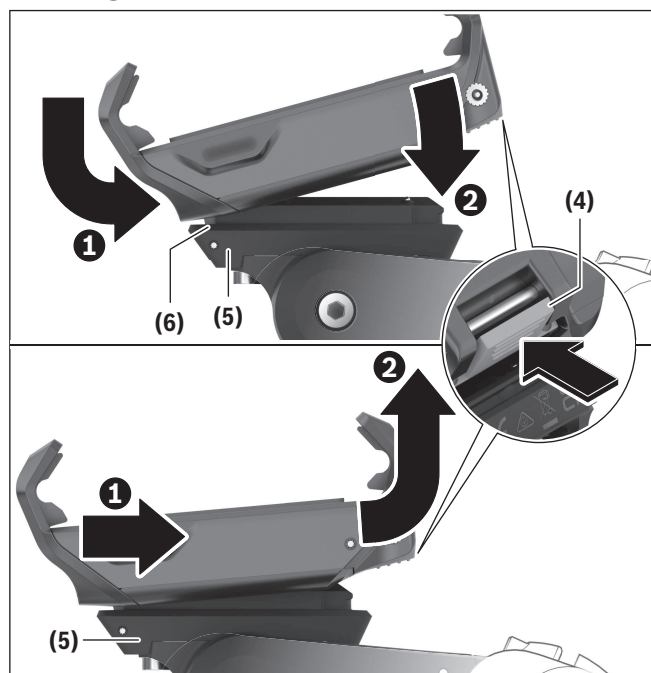
En cas d'utilisation non conforme, le smartphone risque d'être éjecté du SmartphoneGrip, de tomber et de subir ainsi des dommages. Il y a par ailleurs un risque élevé d'accident lors de la chute du smartphone !

## Caractéristiques techniques

Support de smartphone		SmartphoneGrip
Code produit		BSP3200
Puissance de charge via la prise USB	W	5 W (1 A – 5 V)
Puissance de charge par induction	W	7,5 W (1,5 A – 5 V) Rendement > 67 %
Températures de fonctionnement	°F	23 ... 104
Températures de stockage	°F	50 ... 104
Indice de protection		IP55
Poids (approx.)	lb	0,2

## Montage

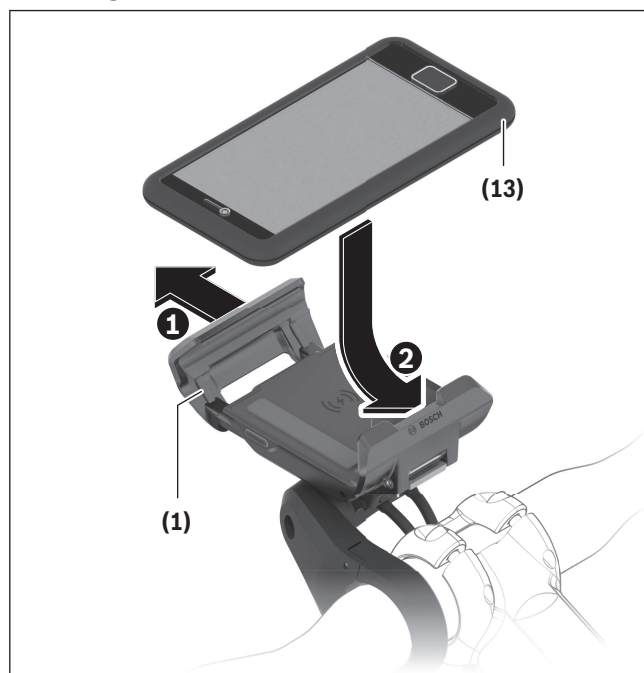
### Montage du SmartphoneGrip



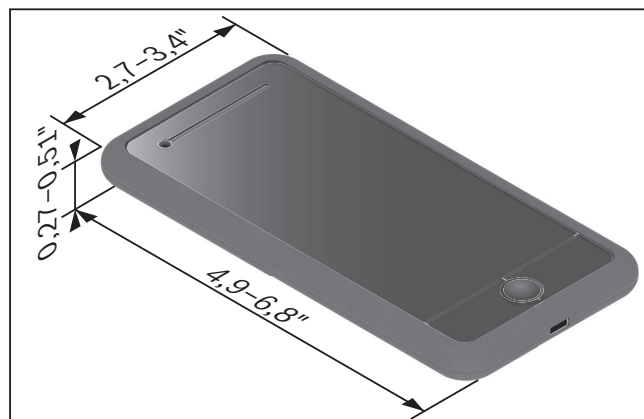
Pour **mettre en place** le SmartphoneGrip, appuyez sur le mécanisme de déverrouillage **(4)** et maintenez-le enfoncé. Positionnez le bord supérieur du SmartphoneGrip contre l'ergot de blocage **(6)** du support de SmartphoneGrip **(5)** **①**. Tirez le SmartphoneGrip vers vous et plaquez le SmartphoneGrip contre le support de SmartphoneGrip **②**. Relâchez le mécanisme de déverrouillage **(4)**.

Pour **retirer** le SmartphoneGrip, appuyez sur le mécanisme de déverrouillage **(4)** et tirez le SmartphoneGrip vers vous **①**. Dégagez le SmartphoneGrip et relâchez le mécanisme de déverrouillage **(4)** **②**.

### Montage du Smartphone



Le SmartphoneGrip accepte des smartphones de différentes tailles :



Les dimensions indiquées incluent la coque. Il n'est pas possible d'insérer dans le SmartphoneGrip des smartphones avec **housse ou étui à rabat**.

Le poids total ne doit pas excéder 0,608 lb.

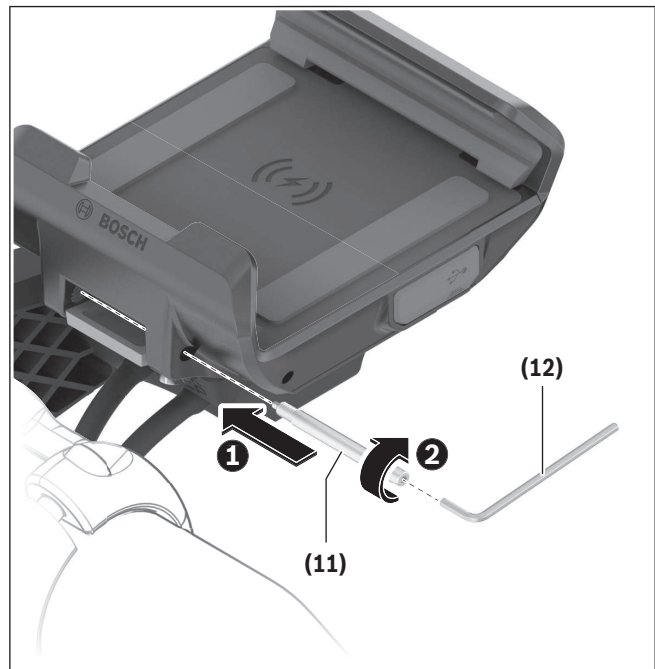
Positionnez le côté long du smartphone **(13)** contre l'étrier de maintien mobile **(1)**. Poussez avec les deux mains le smartphone **(13)** contre l'étrier de maintien

mobile (1) ❶ et logez le smartphone (13) dans le SmartphoneGrip ❷.

- Lors de la mise en place du smartphone, veillez à ne pas coincer vos doigts entre l'étrier de maintien mobile et le SmartphoneGrip.

Après la mise en place du smartphone, vérifiez qu'il ne puisse venir en contact avec aucune pièce fixe du vélo, même en cas de vibrations. Le smartphone pourrait subir des dommages.

## Montage de la tige de blocage



La tige de blocage (11) fournie rend impossible le retrait rapide du SmartphoneGrip en bloquant le mécanisme de déverrouillage (4).

Pour **insérer** la tige de blocage (11), glissez la tige de blocage (11) dans l'ouverture prévue ❶ et vissez-la avec précaution à l'aide d'une clé six pans mâle (1,5 mm) (12) ❷.

**Remarque :** La tige de blocage n'est pas une sécurité antivol. La tige de blocage empêche seulement le retrait rapide du SmartphoneGrip de son support. La tige de blocage n'a aucun effet sur le smartphone.

**Remarque :** Ne laissez jamais votre smartphone dans le SmartphoneGrip sans surveillance !

Pour **retirer** la tige de blocage (11), dévissez-la avec une clé six pans mâle (1,5 mm) (12) et dégagez la tige de blocage (11).



## Fonctionnement

### Mise en marche

Logez le smartphone dans le SmartphoneGrip.

Ouvrez l'application **eBike Flow** pour faire afficher les données de parcours.



L'application **eBike Flow** peut être téléchargée gratuitement dans l'App Store d'Apple ou le Google Play Store.

Pour télécharger l'application **eBike Flow**, scannez le code avec votre smartphone.

### Recharge du smartphone

Quand le smartphone se trouve dans le SmartphoneGrip, il peut être rechargé pendant que sont affichées les données de parcours. Si votre smartphone dispose d'une fonction de charge inductive, vous pouvez le charger sans fil.

#### Charge inductive

Le processus de charge démarre automatiquement dès que vous insérez un smartphone avec fonction de charge inductive dans le SmartphoneGrip. La LED d'état **(9)** s'allume en jaune. Une fois le smartphone rechargé, la LED d'état **(9)** s'allume en vert.

Si vous retirez le smartphone du support, la charge s'interrompt aussitôt.

#### Charge via la prise USB

Si votre téléphone ne dispose pas d'une fonction de charge inductive, vous pouvez le recharger via la prise USB **(3)**. Ouvrez pour cela l'obturateur de la prise USB et connectez un câble USB (pas fourni) à la prise USB micro-A/B.

Lors de l'achat du câble USB, prenez soin de choisir le type de connecteur requis par votre smartphone.

**Remarque : Quand le niveau de charge de la batterie VAE atteint 0 %, retirez les consommateurs raccordés (p. ex. votre smartphone).**

### Affichages d'état

La LED d'état **(9)** indique au moyen de différentes couleurs et motifs d'éclairage les états suivants :

État	Comportement
Charge via la prise USB	La LED s'allume en bleu.
Départ charge inductive	La LED clignote 3 fois en jaune.
Charge inductive	La LED s'allume en jaune.
Charge terminée	La LED s'allume en vert.
Message de défaut	La LED clignote en rouge.

La détection de l'un des états d'alarme suivants provoque l'arrêt immédiat de la charge inductive :

- Détection d'objets, p. ex. pièces de monnaie, clés ou objets métalliques
- Alarme de température  
Quand le SmartphoneGrip se trouve en dehors de la plage de températures admissibles, la LED d'état **(9)** clignote en rouge et le processus de charge est interrompu. La charge reprend dès que la température se trouve à nouveau dans la plage admissible.
- Alarme de surtension quand la tension devient supérieure à 6 V
- Alarme de sous-tension quand la tension devient inférieure à 4,2 V

# Entretien et service après-vente

## Nettoyage et entretien

Pour son nettoyage, utilisez un chiffon doux, humidifié avec de l'eau uniquement. N'utilisez pas de détergent.

► **Ne confiez les réparations qu'à un revendeur agréé.**

Ne nettoyez jamais les composants avec de l'eau sous pression.

## Transport

► **Pour transporter votre vélo électrique à l'extérieur de votre voiture, par exemple sur une galerie de toit, retirez préalablement le Smartphone-**

**Grip et la batterie VAE (sauf si fixe) afin d'éviter qu'ils soient endommagés.**

## Service après-vente et conseil utilisateurs

Pour toutes les questions concernant votre vélo électrique et ses éléments, adressez-vous à un vélociste agréé.

Vous trouverez les données de contact de vélocistes agréés sur le site internet [www.bosch-ebike.com](http://www.bosch-ebike.com).

## Programme de recyclage des accus



La Drive Unit, l'ordinateur de bord, la commande déportée, la batterie VAE, le capteur de vitesse, les accessoires et l'emballage doivent être rapportés à un centre de recyclage respectueux de l'environnement.

Ne jetez pas les systèmes eBike et leurs éléments constitutifs dans les ordures ménagères !



Pour recycler votre batterie Bosch, appelez le 1.800.822.8837.

# Índice

Introducción .....	2
Acerca de las advertencias .....	2
Advertencias generales .....	2
Utilización de sus Instrucciones de servicio .....	3
Operación de su sistema de transmisión Bosch.....	4
Indicaciones de seguridad.....	4
Descripción del producto y servicio .....	7
Montaje .....	9
Operación .....	11
Mantenimiento y servicio.....	12
Mantenimiento y limpieza .....	12
Transporte.....	12
Servicio técnico y atención al cliente .....	12
Programa de reciclaje de baterías .....	12

# Introducción

## Acerca de las advertencias

Este manual contiene muchos **PELIGROS**, **ADVERTENCIAS**, y **PRECAUCIONES** sobre las consecuencias de una falta de uso, montaje, mantenimiento, almacenamiento, inspección y eliminación de una eBike equipada por Bosch de modo seguro.

- La combinación del símbolo de alerta de seguridad y la palabra **PELIGRO** indica una situación peligrosa que, si no se evita, ocasionará la muerte o lesiones graves.

- La combinación del símbolo de alerta de seguridad y la palabra **ADVERTENCIA** indica una situación peligrosa que, si no se evita, podría provocar la muerte o lesiones graves.
- La combinación del símbolo de alerta de seguridad y la palabra **PRECAUCIÓN** indica una situación peligrosa que, si no se evita, podría ocasionar lesiones leves o moderadas.

## Advertencias generales



**Lea íntegramente todas las indicaciones de seguridad e instrucciones.** No seguir las advertencias e instrucciones siguientes puede provocar la muerte o lesiones graves.

**Guarde todas las indicaciones de seguridad e instrucciones para posibles consultas futuras.**

El término **Acumulador para eBike** utilizado en estas instrucciones de servicio se refiere a todos los acumuladores originales para eBike de Bosch de la generación del sistema **the smart system (el smart system)**.

- ▶ **Lea TODOS los manuales incluidos antes de montar en la bicicleta por primera vez.** Su sistema de accionamiento de Bosch incluye manuales y documentación adicionales proporcionados por el fabricante de la bicicleta y de otros componentes. No leer o desconocer la información de seguridad puede provocar la muerte o lesiones graves.

### **ADVERTENCIA**

- ▶ **Este manual contiene información importante de seguridad, rendimiento y mantenimiento.** Léalo antes de usar su nueva bicicleta y guárdelo a modo de referencia. Puede encontrar el manual también en línea en [www.bosch-ebike.com](http://www.bosch-ebike.com).

- ▶ **Este manual está previsto para su lectura junto con el manual de usuario aparte que venía con su bicicleta.** Antes de usar la bici por primera vez, asegúrese de leer toda la documentación facilitada, incluidas las etiquetas que lleva el producto.
- ▶ **Por su propia SEGURIDAD, sea responsable.** Si tiene dudas o no entiende algo, consúltelo con su distribuidor o con el fabricante de la bicicleta o del componente.
- ▶ **Algunos accesorios de la eBike pueden suponer un peligro de atragantamiento para los niños pequeños.** Mantenga esos accesorios alejados de los niños.

### **PRECAUCIÓN**

- ▶ **El sistema de accionamiento de Bosch incrementa el peso de su bicicleta, que puede que no esté acostumbrado a levantar.** Evite las lesiones; utilice técnicas de elevación adecuadas.

## Utilización de sus Instrucciones de servicio

Además de las funciones aquí representadas, puede ser que se introduzcan en cualquier momento modificaciones de software para la eliminación de errores y modificaciones de funciones.

### Gráficos

La bicicleta que se muestra en este manual puede diferir ligeramente de la suya; no obstante, las similitudes son suficientes para ayudarle a entender nuestras instrucciones.

Los lados DERECHO e IZQUIERDO se indican mirando en el sentido que la bicicleta tendrá al circular hacia delante. Si ve una línea discontinua (-----), el elemento al que se refiere está oculto a la vista.

# Operación de su sistema de transmisión Bosch

## Indicaciones de seguridad



**Lea íntegramente todas las indicaciones de seguridad e instrucciones.** Las faltas de observación de las indicaciones de seguridad y de las instrucciones pueden causar descargas eléctricas, incendios y/o lesiones graves.

**Guarde todas las indicaciones de seguridad e instrucciones para posibles consultas futuras.**

El término **Acumulador para eBike** utilizado en estas instrucciones de servicio se refiere a todos los acumuladores originales para eBike de Bosch de la generación del sistema **the smart system (el smart system)**.

Los términos **Accionamiento** y **Unidad de accionamiento** utilizados en estas instrucciones de servicio se refieren a todas las unidades de accionamiento originales Bosch de la generación del sistema **the smart system (el smart system)**.

- ▶ **Lea y siga todas las indicaciones de seguridad e instrucciones de todos los manuales de uso del sistema eBike, así como las instrucciones de uso de su eBike.**
- ▶ **En el caso de la utilización de los componentes de la eBike de Bosch, no se deje distraer del tráfico y conduzca siempre con ambas manos en el manillar. Observe siempre la legislación de su país sobre la circulación permitida de su eBike en el tráfico rodado. En particular, está prohibido tomar o sostener el teléfono inteligente con la mano en el tráfico rodado.**
- ▶ **Ajuste la luminosidad del teléfono inteligente de modo que pueda percibir adecuadamente las informaciones importantes, como la velocidad o los símbolos de advertencia.** Una luminosidad incorrectamente ajustada puede llevar a situaciones peligrosas.

- ▶ **Las superficies de contacto del soporte de la pantalla pueden alcanzar una temperatura muy elevada (> 140 °F). Deje que las superficies de contacto se templen antes de tocarlas.** Esto es especialmente válido si se utiliza un SmartphoneGrip.
- ▶ **Consulte a un médico antes de usar programas de aplicación de fitness (acondicionamiento físico).** Las aplicaciones de acondicionamiento físico pueden exigir físicamente demasiado de las personas.
- ▶ **Observe las restricciones locales sobre el uso de dispositivos electrónicos.**
- ▶ **Evite el uso prolongado de esta herramienta en contacto directo con el cuerpo.**
- ▶ **No coloque la eBike de cabeza en el manillar y el sillín, cuando el SmartphoneGrip o su soporte sobresalga del manillar.** El SmartphoneGrip o el soporte pueden dañarse irreparablemente.
- ▶ **No utilice el SmartphoneGrip como asidero.** Si levanta la eBike por el SmartphoneGrip, puede dañar irreparablemente el SmartphoneGrip.
- ▶ **No intente abrir el SmartphoneGrip.** El SmartphoneGrip se puede destruir al abrirlo y así se pierde el derecho de garantía.
- ▶ **¡Cuidado!** El uso del SmartphoneGrip con *Bluetooth*® y/o WiFi puede provocar anomalías en otros aparatos y equipos, en aviones y en aparatos médicos (p. ej. marcapasos, audífonos, etc.). Tampoco puede descartarse por completo el riesgo de daños en personas y animales que se encuentren en un perímetro cercano. No utilice el SmartphoneGrip con *Bluetooth*® cerca de aparatos médicos, gasolineras, instalaciones químicas, zonas con riesgo de explosión ni en zonas con atmósfera potencialmente explosiva. No utilice el SmartphoneGrip con *Bluetooth*® en aviones. Evite el uso prolongado de

esta herramienta en contacto directo con el cuerpo.

- ▶ La marca denominativa *Bluetooth*<sup>®</sup> como también los logotipos son marcas registradas y propiedad de Bluetooth SIG, Inc. Cualquier uso de esta marca denominativa/figurativa por parte de Robert Bosch GmbH, Bosch eBike Systems se realiza bajo licencia.
- ▶ **No introduzca información o haga selecciones durante la circulación.** La interacción con la pantalla mientras se conduce puede provocar accidentes que causen lesiones graves o la muerte. Debe observar las condiciones de la carretera y el tráfico, y cumplir con las leyes de tráfico en todo momento.
- ▶ **El uso del dispositivo móvil mientras se maneja una eBike puede causar una distracción. La conducción distraída es un grave problema de seguridad y puede provocar accidentes que causen lesiones graves o la muerte. Para evitar la distracción al conducir, la mayoría de los dispositivos vienen equipados con un modo "No molestar". El modo "No molestar" debe ser usado mientras se conduce una eBike.** Por favor, consulte las instrucciones específicas de su dispositivo para obtener más información. Usted, como conductor de la bicicleta, es totalmente responsable de asegurar que en todo momento preste atención a las condiciones de la carretera y cumpla con las leyes de tráfico.
- ▶ Por favor, tenga en cuenta que algunas leyes estatales o locales pueden exigir que las bicicletas eléctricas (eBikes) de clase III estén equipadas con un velocímetro que indique la velocidad en millas por hora. Los ciclistas deben conocer y seguir todas las normas y reglamentos aplicables relacionados con el funcionamiento o el uso de las eBikes de clase III en cualquier jurisdicción antes de operar o utilizar este producto.
- ▶ **Elija la longitud adecuada del cable de carga USB.** La longitud del cable de carga USB no debe ser lo suficientemente larga como para que se en-

ganche en el manillar o en la rueda delantera. Esto es importante para prevenir daños personales.

**INDICACIÓN:** Este dispositivo cumple con la Parte 15 de las Normas de la FCC. La operación está sujeta a las siguientes dos condiciones:

1. Este dispositivo no debe causar interferencias dañinas, y
2. este dispositivo debe aceptar cualquier interferencia que se reciba, incluida la interferencia que pueda causar un funcionamiento no deseado.

**INDICACIÓN:** Los cambios o modificaciones realizados en este equipo no aprobados expresamente por Robert Bosch GmbH pueden anular la autorización de la FCC para operar este equipo.

**NOTA:** Este equipo ha sido probado y cumple con los límites para un dispositivo digital de Clase B, de conformidad con la Parte 15 de las Normas de la FCC. Estos límites están diseñados para proporcionar una protección razonable contra interferencias perjudiciales en una instalación residencial. Este equipo genera, utiliza y puede emitir energía de radiofrecuencia y, si no se instala y utiliza de acuerdo con las instrucciones, puede causar interferencias perjudiciales en las comunicaciones de radio. Sin embargo, no existe garantía de que no se produzcan interferencias en una instalación en particular. Si este equipo causa interferencias perjudiciales en la recepción de radio o televisión, lo cual puede determinarse encendiendo y apagando el equipo, se recomienda al usuario que intente corregir la interferencia mediante una o más de una de las siguientes medidas:

- Reorientar o reubicar la antena receptora.
- Aumente la separación entre el equipo y el receptor.
- Conecte el equipo a una toma de corriente en un circuito diferente al que está conectado el receptor.
- Diríjase al distribuidor o a un técnico de radio/TV experimentado para obtener ayuda.

**Información de exposición a la radiación de radiofrecuencia:** La potencia de salida irradiada del dispositivo está muy por debajo de los límites de exposi-

ción de radiofrecuencia de la FCC. Sin embargo, el dispositivo debe utilizarse de tal manera que se minimice la posibilidad de contacto humano durante el funcionamiento normal.

Este equipo cumple con los límites de exposición a la radiación de FCC establecidos para un ambiente no controlado. Este equipo debe ser instalado y operado con una distancia mínima de 20 cm entre el emisor y su cuerpo. Este transmisor no debe estar ubicado u operando en conjunto con ninguna otra antena o transmisor.

### **Nota de ISED (Canadá)**

Este dispositivo contiene un(varios) transmisor(es)/ receptor(es) exento(s) de licencia que cumple(n) con RSS(s) exento(s) de licencia del Ministerio de Innovación, Ciencia y Desarrollo Económico de Canadá. La utilización está sujeta a las dos condiciones siguientes:

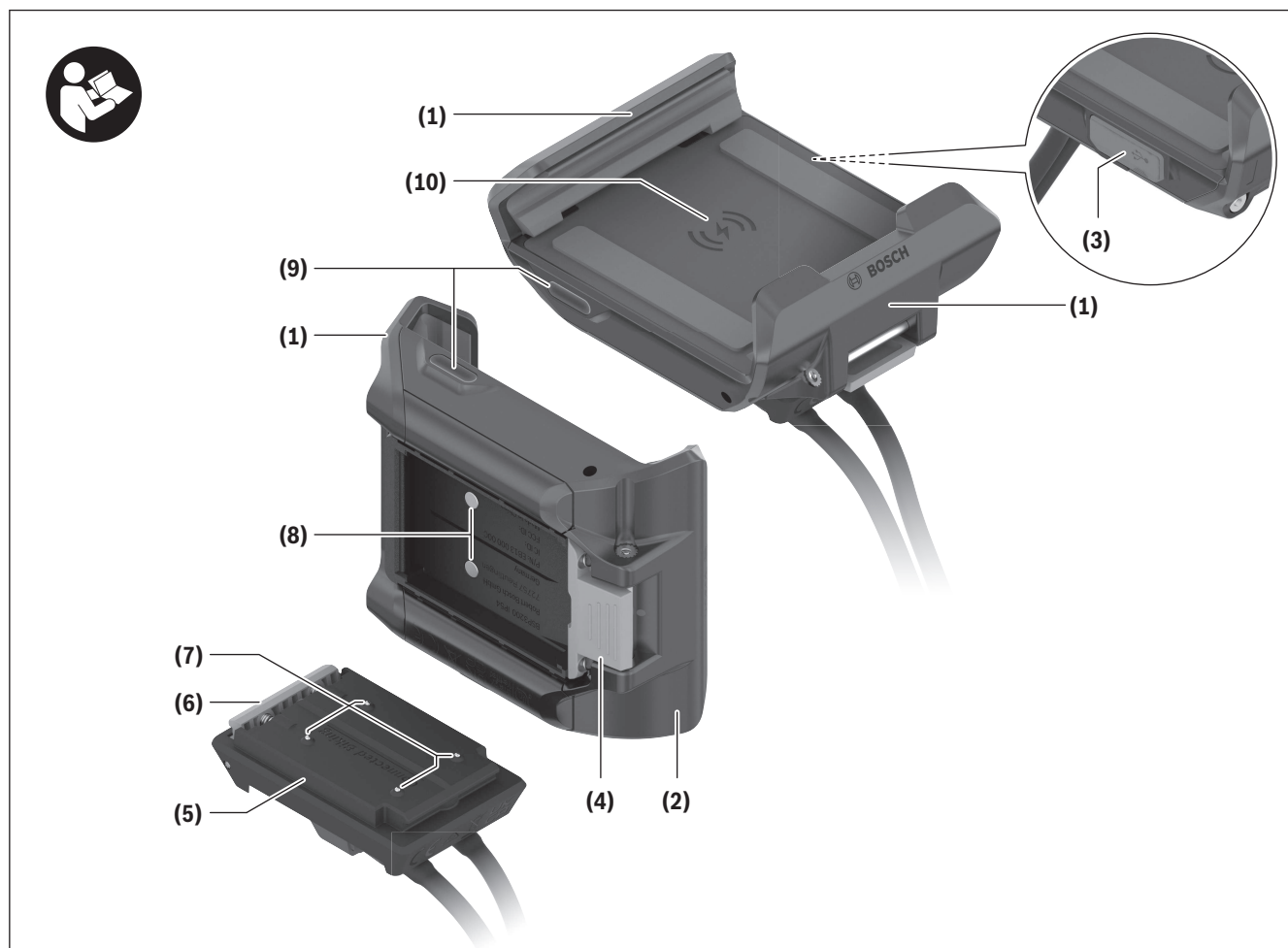
1. este dispositivo no debe causar interferencias perjudiciales, y
2. este dispositivo debe admitir cualquier interferencia, incluyendo las interferencias que puedan causar un funcionamiento no deseado del dispositivo.

Este equipo cumple con los límites de exposición a la radiación del Canadá establecidos para un ambiente no controlado. Este equipo debe ser instalado y operado con una distancia mínima de 20 cm entre el emisor y su cuerpo. Este transmisor no debe estar ubicado u operando en conjunto con ninguna otra antena o transmisor.



## Descripción del producto y servicio

### Características del producto



Todas las representaciones de las piezas de la bicicleta, excepto la unidad de accionamiento, el SmartphoneGrip incl. la unidad de mando, el sensor de velocidad y los soportes correspondientes son esquemáticas y pueden diferir de su eBike.

- (1)** Estribo de sujeción delantero/móvil
- (2)** Estribo de sujeción trasero/fijo
- (3)** Conexión USB con caperuza USB
- (4)** Mecanismo de desenclavamiento
- (5)** Alojamiento de SmartphoneGrip
- (6)** Gancho de encaje
- (7)** Contactos de enchufe

- (8)** Contactos de SmartphoneGrip
- (9)** LED de estado
- (10)** Bobina de carga por inducción
- (11)** Bloqueo de teclas
- (12)** Llave macho hexagonal<sup>a)</sup>
- (13)** Smartphone<sup>a)</sup>

a) No contenido en el volumen de suministro

## Utilización reglamentaria

El SmartphoneGrip de Bosch está diseñado para sostener y cargar un teléfono inteligente en el manillar de una eBike de Bosch de la generación del sistema **the smart system (el smart system)**.

Además de las funciones aquí representadas, puede ser que se introduzcan en cualquier momento modificaciones de software para la eliminación de errores y modificaciones de funciones.

El SmartphoneGrip es adecuado para circular por caminos pavimentados sin saltos y con pocos desniveles (< 15 cm) a velocidades medias entre 9 y 15 mph, como calles de asfalto, caminos de tierra, caminos pavimentados con grava o arena, caminos forestales pavimentados.

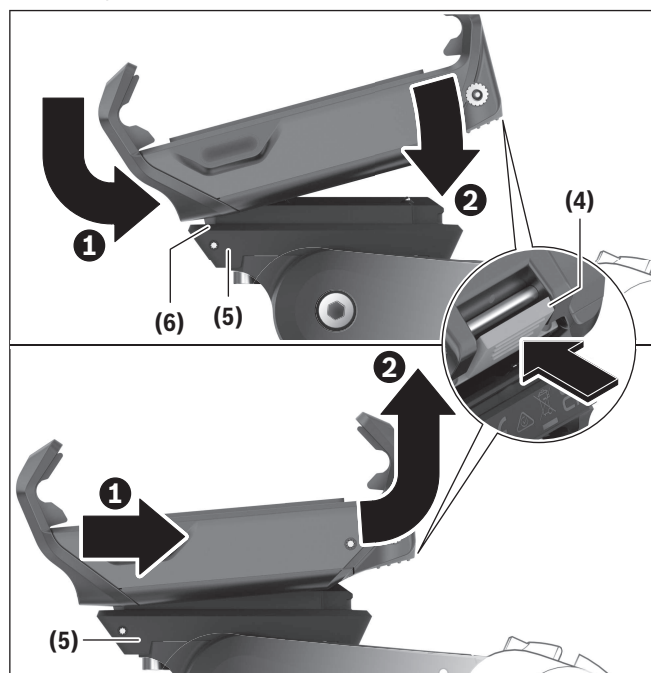
Si se utiliza de forma incorrecta, existe el riesgo de que el smartphone se suelte del SmartphoneGrip, se caiga y se dañe por ello. ¡Además, también existe un peligro considerable de accidentes al caerse!

## Datos técnicos

Soporte del teléfono inteligente		SmartphoneGrip
Código de producto		BSP3200
Intensidad de carga a través de conexión USB	W	5 W (1 A@5 V)
Intensidad de carga por inducción	W	7,5 W (1,5 A@5 V) Grado de rendimiento > 67 %
Temperatura de servicio	°F	23 ... 104
Temperatura de almacenamiento	°F	50 ... 104
Grado de protección		IP55
Peso, aprox.	lb	0,2

## Montaje

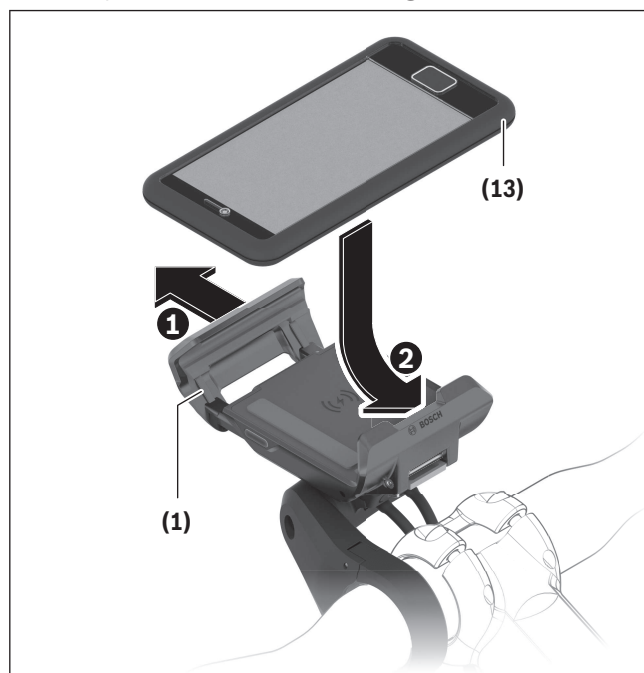
### Montaje del SmartphoneGrip



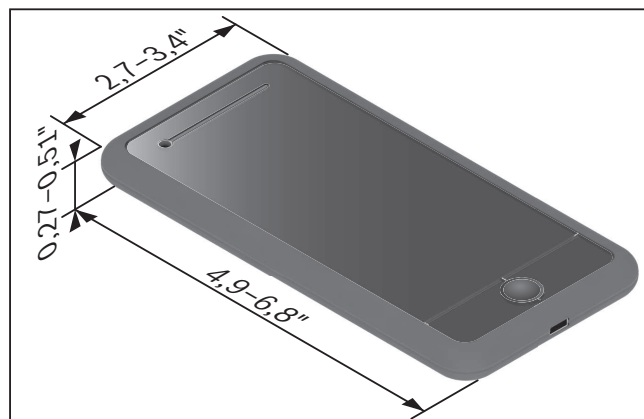
Para **colocar** el SmartphoneGrip, presione el mecanismo de desenclavamiento **(4)** y manténgalo presionado. Coloque el borde superior del SmartphoneGrip en el gancho de encaje **(6)** del soporte del SmartphoneGrip **(5)** **1**. Tire del SmartphoneGrip hacia usted y presione el SmartphoneGrip sobre el soporte del SmartphoneGrip **2**. Suelte el mecanismo de desenclavamiento **(4)**.

Para **quitar** el SmartphoneGrip, presione el mecanismo de desenclavamiento **(4)** y tírelo simultáneamente hacia usted **1**. Levante el SmartphoneGrip y suelte el mecanismo de desenclavamiento **(4)** **2**.

### Montaje del teléfono inteligente



El SmartphoneGrip puede sujetar teléfonos inteligentes de los siguientes tamaños:



Las dimensiones indicadas se entienden con envoltura. No se deben colocar teléfonos inteligentes con **fundas y cubiertas**.

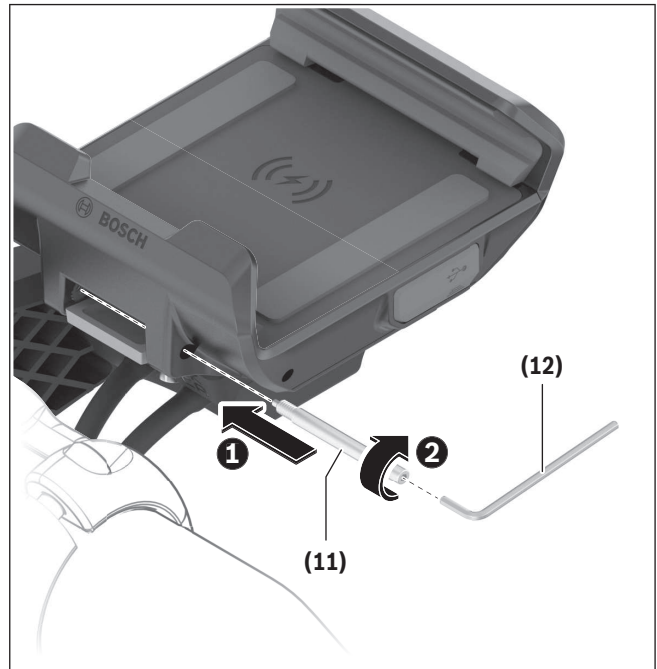
El peso total no debe superar las 0,608 libras. Coloque el teléfono inteligente **(13)** con el lado largo centrado contra el estribo de sujeción móvil **(1)**. Utilice ambas manos para presionar el teléfono inteligente **(13)** contra el estribo de sujeción móvil **(1)** **1** y co-

loque el teléfono inteligente **(13)** en el SmartphoneGrip **(2)**.

- ▶ Al colocar el teléfono inteligente, asegúrese de no aprisionar los dedos entre el estribo de sujeción móvil y el SmartphoneGrip.

Una vez montado el teléfono inteligente, compruebe que éste no puede tocar ninguna parte fija de la bicicleta ni siquiera en caso de vibraciones. Esto podría dañar considerablemente el teléfono inteligente.

## Montaje del bloqueo de teclas



El bloqueo de teclas **(11)** suministrado, impide la extracción fácil y rápida del SmartphoneGrip, mediante el bloqueo del mecanismo de desenclavamiento **(4)**.

Para **colocar** el bloqueo de teclas **(11)** empuje el bloqueo de teclas **(11)** en la abertura prevista **(1)** y atornille firmemente con cuidado el bloqueo de teclas utilizando una llave macho hexagonal (1,5 mm) **(12)** **(2)**.

**Indicación:** El bloqueo de teclas no es un seguro anti-robo. El bloqueo de teclas impide una extracción rápida del SmartphoneGrip del soporte. El bloqueo de teclas no tiene ninguna influencia sobre el teléfono inteligente.

**Indicación:** ¡No deje nunca su teléfono inteligente sin vigilancia en el SmartphoneGrip!

Para **retirar** el bloqueo de teclas **(11)** desenrosquelo con una llave macho hexagonal (1,5 mm) **(12)** y saque el bloqueo de teclas **(11)**.

## Operación

### Puesta en marcha

Coloque el teléfono inteligente en el Smartphone-Grip.

Inicie la aplicación **eBike Flow**, para visualizar los datos de viaje.



Dependiendo del sistema operativo del teléfono inteligente, la aplicación **eBike Flow** puede descargarse gratuitamente desde Apple App Store o Google Play

Store.

Escanee el código con su smartphone para descargar la aplicación **eBike Flow**.

### Carga del teléfono inteligente

Cuando el teléfono inteligente está en el Smartphone-Grip, se puede cargar al mismo tiempo que se visualizan los datos de viaje. Si su teléfono inteligente tiene una función de carga por inducción, puede cargar el teléfono inteligente de forma inalámbrica.

#### Carga por inducción

Al colocar un teléfono inteligente con función de carga por inducción en el SmartphoneGrip, el proceso de carga se inicia automáticamente. El LED de estado **(9)** se ilumina en amarillo. Cuando el teléfono inteligente está completamente cargado, el LED de estado **(9)** se ilumina en verde de forma continua.

Al retirar el teléfono inteligente del soporte, la tensión de carga se desconecta.

#### Carga a través de USB

Si su teléfono inteligente no tiene una función de carga por inducción, puede cargar su teléfono inteligente a través de la conexión USB **(3)**. Para ello, abra la caperuza del USB y conecte un cable USB independiente (no incluido en el volumen de suministro) en la hembra micro A/B USB.

En la compra del cable USB, preste atención al tipo de enchufe necesario para su teléfono inteligente.

**Indicación: Si el estado de carga del acumulador de la eBike alcanza el 0 %, retire todos los consumidores existentes (p. ej. teléfono inteligente).**

### Indicadores de estado

El LED de estado **(9)** indica los siguientes estados mediante diferentes colores y patrones de luz.

Estado	Comportamiento
Carga a través de USB	LED se ilumina en azul.
Inicio de carga por inducción	LED parpadea 3× en amarillo.
Carga por inducción	LED se ilumina en amarillo.
Completamente cargado	LED se ilumina en verde.
Mensaje de error	LED parpadea en rojo.

Las siguientes condiciones de alarma se detectan y conducen a una interrupción del proceso de carga por inducción:

- Detección de objetos extraños, p. ej. monedas, llaves y otros objetos metálicos
- Alarma de temperatura  
Si el SmartphoneGrip se encuentra fuera de la temperatura de servicio, el LED de estado **(9)** parpadea en rojo y el proceso de carga se interrumpe. Tan pronto como el SmartphoneGrip vuelva a estar dentro de la temperatura de servicio, continúa el proceso de carga.
- Alarma de sobretensión para tensiones superiores a 6 V
- Alarma de baja tensión para tensiones inferiores a 4,2 V

# Mantenimiento y servicio

## Mantenimiento y limpieza

Para la limpieza, utilice un paño suave, humedecido únicamente con agua. No utilice productos de limpieza.

► **Encargue todas las reparaciones únicamente a un distribuidor de bicicletas autorizado.**

Todos los componentes no deben limpiarse con agua a presión.

## Transporte

► **Si lleva su eBike en el exterior del automóvil, por ejemplo en un portaequipajes externo al vehículo, retire el SmartphoneGrip y el acumulador de**

**la eBike (excepción: acumulador para eBike instalado de forma permanente), para evitar daños.**

## Servicio técnico y atención al cliente

En caso de cualquier consulta sobre la eBike y sus componentes, dirijase a un distribuidor de bicicletas autorizado.

Los detalles de contacto de los distribuidores de bicicletas autorizados se pueden encontrar en el sitio web [www.bosch-ebike.com](http://www.bosch-ebike.com).

## Programa de reciclaje de baterías



La unidad de accionamiento, el ordenador de a bordo incl. la unidad de mando, el acumulador para eBike, el sensor de velocidad, los accesorios y los embalajes deben reciclarse de forma respetuosa con el medio ambiente.

¡No arroje eBikes y sus componentes a la basura!



Puede reciclar su paquete de baterías de Bosch llamando al 1.800.822.8837.