

Cette notice contient d'importantes informations sur la sécurité, les performances et l'entretien. Lisez-les et comprenez-les ainsi que les informations fournies par le fabricant de votre vélo avant d'utiliser le produit, et conservez-les pour référence ultérieure.

Owner's Manual

CompactTube 400 | PowerTube 500 | 625 | 750 | PowerPack Rack 400 | 500 | PowerPack Frame 400 | 545 | 725 | 800

Robert Bosch GmbH
72757 Reutlingen
Germany

www.bosch-ebike.com

0 275 U07 3PX (2023.03) T / 86



Este manual contiene información importante de seguridad, rendimiento y mantenimiento. Léalo y asegúrese de entenderlo junto con la información que le ha facilitado el fabricante de su bicicleta antes de usar el producto; guárdelo a modo de referencia.

en Original operating instructions
fr Notice d'utilisation d'origine
es Instrucciones de servicio originales

This manual contains important safety, performance and service information. Read and understand it along with the information provided to you by your bicycle manufacturer before using the product, and keep it for reference.



CompactTube

BBP3245

BBP3246

BBP3247

PowerTube

BBP3755

BBP3756

BBP3765

BBP3766

BBP3775

BBP3776

PowerPack Rack

BBP3345

BBP3355

PowerPack Frame

BBP3545

BBP3556

BBP3575

BBP3585

Table of contents

Introduction	2
About Warnings	2
General Warnings	2
Using your Manual	3
On-product warning labels	4
Handling the lithium-ion battery pack	7
Safety warnings for Bosch eBike batteries	7
Product description and specifications	9
Fitting	17
Operation	24
Transport	24
Maintenance/cleaning	25
Storing	26
Troubleshooting	27
Battery Recycling Program	28

Introduction

About Warnings

This manual contains many **DANGER**, **WARNING**, and **CAUTION** indicators concerning the consequences of failure to use, assemble, maintain, store, inspect and dispose of a Bosch-equipped eBike in a safe manner.

– The combination of the safety alert symbol and the word **DANGER** indicates a hazardous situation that, if not avoided, will result in death or serious injury.

– The combination of the safety alert symbol and the word **WARNING** indicates a hazardous situation that, if not avoided, could result in death or serious injury.

– The combination of the safety alert symbol and the word **CAUTION** indicates a hazardous situation that, if not avoided, could result in minor or moderate injury.

General Warnings



Read all safety warnings and all instructions. Failure to follow the warnings and instructions may result in death or serious injury.

Save all safety warnings and instructions for future reference.

The term **eBike battery** used in these operating instructions refers to all original Bosch eBike batteries from the system generation **the smart system**.

► **Read ALL accompanying manuals before riding the bike for the first time.** Your Bosch Drive System comes with additional manuals and documents provided by the manufacturer of the bicycle and other components. Failure to read and understand safety information can result in death or serious injury.

WARNING

► **This manual contains important safety, performance and service information.** Read it before you take the first ride on your new bicycle, and keep it for reference. The manual can also be found online at www.bosch-ebike.com.

► **This manual is intended to be read together with the separate user manual provided with your bicycle.** Be sure to read all provided documents including labels on the product before your first ride.

► **Take responsibility for your own SAFETY.** If you have any questions or do not understand something, consult with your dealer or the bicycle or component manufacturer.

► **Some eBike accessories may present a choking hazard to small children.** Keep these accessories away from children.

CAUTION

► **The Bosch Drive System adds weight to your bicycle which you may not be used to lift.** Avoid injury, use proper lifting techniques.

Using your Manual

In addition to the functions outlined here, changes to software relating to troubleshooting and functional modifications may be introduced at any time.

Graphics

The bicycle shown in this manual may differ slightly from your bicycle, but will be similar enough to help you understand our instructions.

RIGHT-HAND and LEFT-HAND sides are determined by facing in the direction the bicycle will travel when going forward. When you see a broken line (-----), the item referred to is hidden from view.

On-product warning labels

A



BOSCH
Robert Bosch GmbH
72757 Reutlingen
Germany
www.bosch-ebike.com







!!! 警告: 使用前に取扱説明書を読むこと。分解、改造、端子の短絡、火気への投入禁止。故障が疑われる時は使用を停止する。専用充電器を使用すること。

!!! 주의사항: 1. 사용전 반드시 사용설명서를 읽어주시기 바랍니다. 2. 비오는 날이나 가연성 폭발물 근처에서는 사용하지 마세요.





Li-ion 20

⚠ WARNING To reduce the risk of injury, explosion, or fire, user must read instruction manual. Charge battery only with Bosch eBike chargers. • Do not crush, puncture, disassemble, short terminals, or dispose in fire. • Do not use battery once it has been impacted, sustained water damage or visibly damaged.

⚠ AVERTISSEMENT L'utilisateur doit lire le mode d'emploi pour réduire le risqué de blessure, d'explosion ou d'incendie. • Ne charger la pile qu'avec un chargeur Bosch eBike. • Ne pas écraser, perforer, démonter, court-circuiter les bornes ou jeter dans un feu. • Ne pas réutiliser la pile si elle a subi un choc, des dégâts causés par l'eau ou d'autres dommages visibles.

B



BOSCH
Robert Bosch GmbH
72757 Reutlingen
Germany
www.bosch-ebike.com







警告: 可充電之二次鋰電池組; 依照說明書指示使用電池。使用專用充電器。廢電池請回收。

!!! 警告: 使用前に取扱説明書を読むこと。分解、改造、端子の短絡、火気への投入禁止。故障が疑われる時は使用を停止する。専用充電器を使用すること。

!!! 주의사항: 1. 사용전 반드시 사용설명서를 읽어주시기 바랍니다. 2. 비오는 날이나 가연성 폭발물 근처에서는 사용하지 마세요.





Li-ion 20

⚠ WARNING To reduce the risk of injury, explosion, or fire, user must read instruction manual. Charge battery only with Bosch eBike chargers. • Do not crush, puncture, disassemble, short terminals, or dispose in fire. • Do not use battery once it has been impacted, sustained water damage or visibly damaged.

⚠ AVERTISSEMENT L'utilisateur doit lire le mode d'emploi pour réduire le risqué de blessure, d'explosion ou d'incendie. • Ne charger la pile qu'avec un chargeur Bosch eBike. • Ne pas écraser, perforer, démonter, court-circuiter les bornes ou jeter dans un feu. • Ne pas réutiliser la pile si elle a subi un choc, des dégâts causés par l'eau ou d'autres dommages visibles.

C



BOSCH
Robert Bosch GmbH
72757 Reutlingen
Germany
www.bosch-ebike.com







⚠ WARNING To reduce the risk of injury, explosion, or fire, user must read instruction manual. Charge battery only with Bosch eBike chargers. • Do not crush, puncture, disassemble, short terminals, or dispose in fire. • Do not use battery once it has been impacted, sustained water damage or visibly damaged.

⚠ AVERTISSEMENT L'utilisateur doit lire le mode d'emploi pour réduire le risqué de blessure, d'explosion ou d'incendie. • Ne charger la pile qu'avec un chargeur Bosch eBike. • Ne pas écraser, perforer, démonter, court-circuiter les bornes ou jeter dans un feu. • Ne pas réutiliser la pile si elle a subi un choc, des dégâts causés par l'eau ou d'autres dommages visibles.



D

BOSCH
Robert Bosch GmbH
72757 Reutlingen
Germany

RECYCLE
R B R C
Li-ion
1.800.822.8837

WARNING To reduce the risk of injury, explosion, or fire, user must read instruction manual. Charge battery only with Bosch eBike chargers. • Do not crush, puncture, disassemble, short terminals, or dispose in fire. • Do not use battery once it has been impacted, sustained water damage or visibly damaged.


AVERTISSEMENT L'utilisateur doit lire le mode d'emploi pour réduire le risque de blessure, d'explosion ou d'incendie. • Ne charger la pile qu'avec un chargeur Bosch eBike. • Ne pas écraser, perfore, démonter, court-circuiter les bornes ou jeter dans un feu. • Ne pas réutiliser la pile si elle a subi un choc, des dégâts causés par l'eau ou d'autres dommages visibles.


E

BOSCH
Robert Bosch GmbH
72757 Reutlingen
Germany
www.bosch-ebike.com


Li-ion



BOSCH
Robert Bosch GmbH
D-72757 Reutlingen
www.bosch-ebike.com




BOSCH
Robert Bosch GmbH
D-72757 Reutlingen
www.bosch-ebike.com




WARNING To reduce the risk of injury, explosion, or fire, user must read instruction manual. • Do not crush, puncture, disassemble, short terminals, or dispose in fire. • Do not use battery once it has been impacted, sustained water damage or visibly damaged. • Charge battery only with Bosch eBike chargers.

AVERTISSEMENT L'utilisateur doit lire le mode d'emploi pour réduire le risque de blessure, explosion ou d'incendie. • Ne pas écraser, perfore, démonter, court-circuiter les bornes ou jeter dans un feu. • Ne pas réutiliser la pile si elle a subi un choc, des dégâts causés par l'eau ou d'autres dommages visibles. • Ne charger la pile qu'avec un chargeur Bosch eBike.



警告
使用前に取扱説明書を読むこと
分解、改造、端子の短絡、火気への投入禁止
故障が疑われる時は使用を停止すること
専用充電器を使用すること

경고, 警告
주의사항1. 사용 전 반드시 사용 설명서를 읽어 주시기 바랍니다.
2. 비오습 날이나 가연성 폭발물 근처에서는 사용하지 마세요.
可充電之二次鋰電池組 依照說明書指示使用電池, 使用
專用充電器, 廢電池請回收





A-C Safety instructions for PowerPack Frame

Note: The depicted labels may differ from the labels on the product.

D Safety instructions for PowerPack Rack

E Safety instructions for PowerTube

F Safety Instructions for CompactTube

► **Warning labels have been placed on the Bosch eBike System for your protection. Read and follow the instructions of the labels on the product carefully. If a label becomes illegible or comes off, contact your Bosch bicycle dealer to obtain a replacement.** Replacement safety labels are provided by Bosch at no charge.

Handling the lithium-ion battery pack

Safety warnings for Bosch eBike batteries



Read and understand all safety warnings and instructions. Failure to

follow the below warnings could result in death or serious injury.

Save all safety warnings and instructions for future reference.

The term **eBike battery** used in these operating instructions refers to all original Bosch eBike batteries from the system generation **the smart system**.

The terms **drive** and **drive unit** used in these operating instructions refer to all original Bosch drive units from the system generation **the smart system**.

The term **charger** is used in these instructions to mean all original Bosch chargers from the system generation **the smart system**.

- ▶ **Read and observe the safety warnings and instructions in all operating instructions of the eBike system and your eBike.**
- ▶ **Remove the eBike battery from the eBike before beginning work (e.g. inspection, repair, assembly, maintenance, work on the chain, etc.) on the eBike. When working on permanently installed eBike batteries, take particular care to ensure that the eBike cannot be switched on.** Unintentional activation of the eBike poses a risk of injury.
- ▶ **Do not remove permanently installed eBike batteries yourself. Permanently installed eBike batteries must only be installed and removed by authorized bicycle retailers.**

⚠ DANGER

- ▶ **Do not puncture or crush the battery pack. Do not impact the battery pack or modify it in any way.** Do not use the battery pack if it shows visible damage. Danger of fire or explosion which can cause death or serious injury.



Protect the battery pack against heat (e.g., temperature > 140 °F), fire and immersing into water. Danger of explosion.

⚠ WARNING

- ▶ **Use only original Bosch battery packs approved for your eBike by the manufacturer and purchased from a credible source.** Use of non-approved or counterfeit battery packs can lead to death or serious injury.
- ▶ **Do not open the eBike battery.** There is a risk of short-circuiting. Opening the eBike battery voids any and all warranty claims.
- ▶ **When the eBike battery is not in use, keep it away from paper clips, coins, keys, nails, screws or other small metal objects that could make a connection from one terminal to another.** A short circuit between the terminals may cause burns or a fire. Short circuit damage which occurs in this instance voids any and all warranty claims against Bosch.
- ▶ **Avoid mechanical loads and exposure to high temperatures.** These can damage the battery cells and cause the flammable contents to leak out.
- ▶ **Do not place the charger or the eBike battery near flammable materials. Ensure the eBike battery is completely dry and placed on a fireproof surface before charging.** There is a risk of fire due to the heat generated during charging.
- ▶ **The eBike battery must not be left unattended while charging.**
- ▶ **If used incorrectly, the eBike battery may leak fluid; avoid contact. If contact occurs, rinse off with water. If the liquid comes into contact with your eyes, seek additional medical attention.** Fluid ejected from the battery may cause skin irritation or burns.

- ▶ **eBike batteries must not be subjected to mechanical shock.** There is a risk of the eBike battery being damaged.
- ▶ **The eBike battery may give off fumes if it becomes damaged or is used incorrectly. Ensure the area is well ventilated and seek medical attention should you experience any adverse effects.** The fumes may irritate the respiratory system.
- ▶ **Do not charge or use your eBike in any area with a potentially explosive atmosphere, such as at a fueling area, or in areas where the air contains chemicals or particles (such as grain, dust, or metal powders).** Obey all signs and instructions.
- ▶ **Only charge the eBike battery using an original Bosch charger from the system generation the smart system.** When using chargers made by other manufacturers, the risk of fire cannot be excluded.
- ▶ **Use the eBike battery only in conjunction with eBikes from the system generation the smart system.** This is the only way in which you can protect the eBike battery against dangerous overload.
- ▶ **Use only original Bosch eBike batteries from the system generation the smart system that the manufacturer has approved for your eBike.** Using other eBike batteries can lead to injuries and pose a fire hazard. Bosch accepts no liability or warranty claims if other eBike batteries are used.
- ▶ **Keep the eBike battery away from children.**

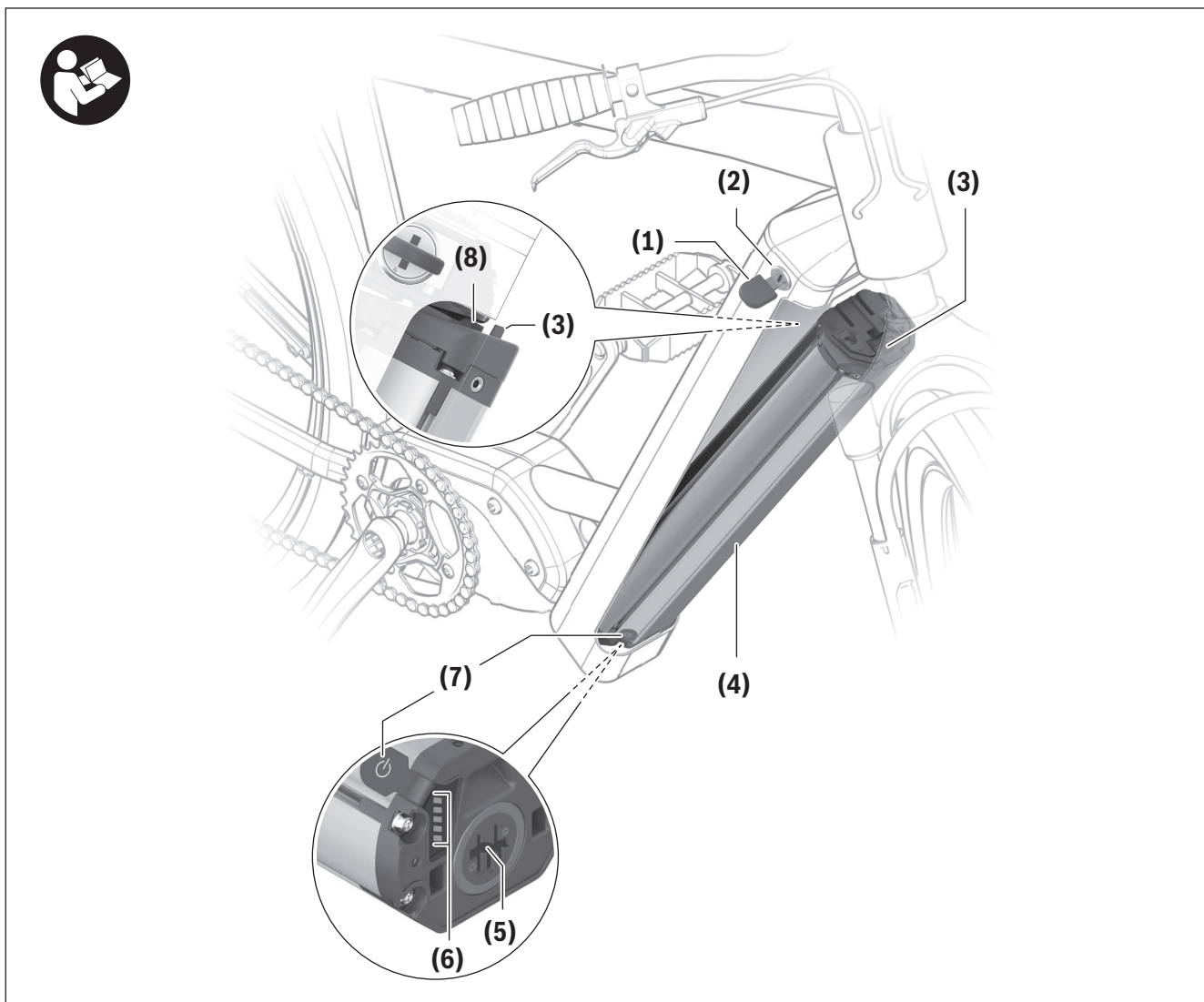
The safety of both our customers and our products is important to us. Our eBike batteries are lithium-ion batteries which have been developed and manufactured in accordance with the latest technology. We comply with or exceed the requirements of all relevant safety standards. When charged, lithium-ion batteries contain a high level of energy. If a fault occurs (which may not be detectable from the outside), in very rare cases and under unfavorable conditions, lithium-ion batteries can catch fire.

Privacy notice

When connecting the eBike to the **Bosch Diagnostic-Tool 3** or when exchanging eBike components, technical information about your eBike (e.g. manufacturer, model, bike ID, configuration data) as well as regarding the use of the eBike (e.g. total travel time, energy consumption, temperature) is transmitted to Bosch eBike Systems (Robert Bosch GmbH) for processing your request, in service cases and for the purposes of product improvement. More information on data processing can be found at www.bosch-ebike.com/privacy-full.

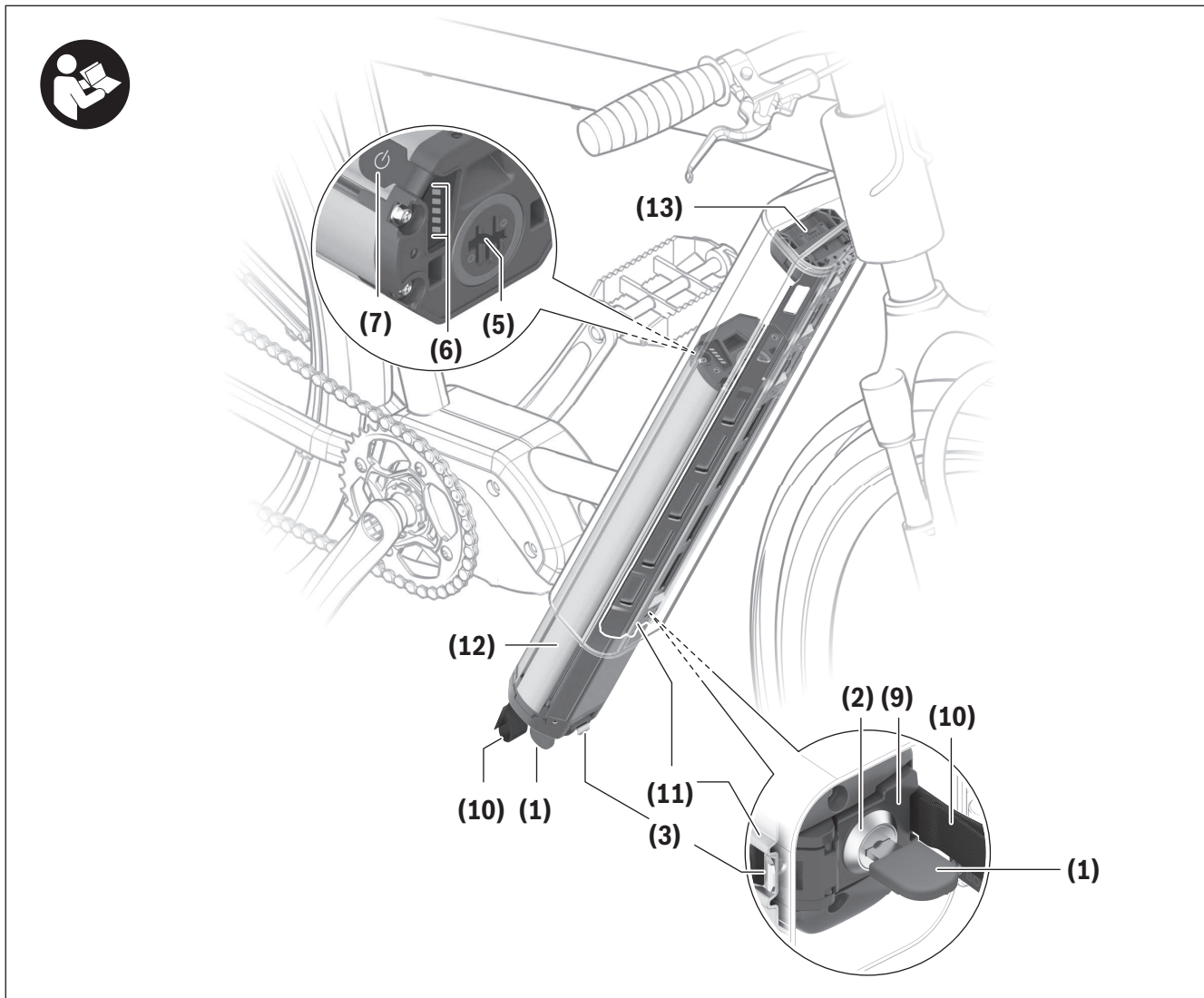
Product description and specifications

Product features PowerTube



All representations of bike components are schematic and can deviate from your eBike.

- (1)** Key for the battery lock
- (2)** Battery lock
- (3)** PowerTube battery safety hook
- (4)** PowerTube battery (pivot)
- (5)** Socket for charging connector
- (6)** Operation/battery charge indicator
- (7)** On/off button
- (8)** PowerTube battery safety restraint

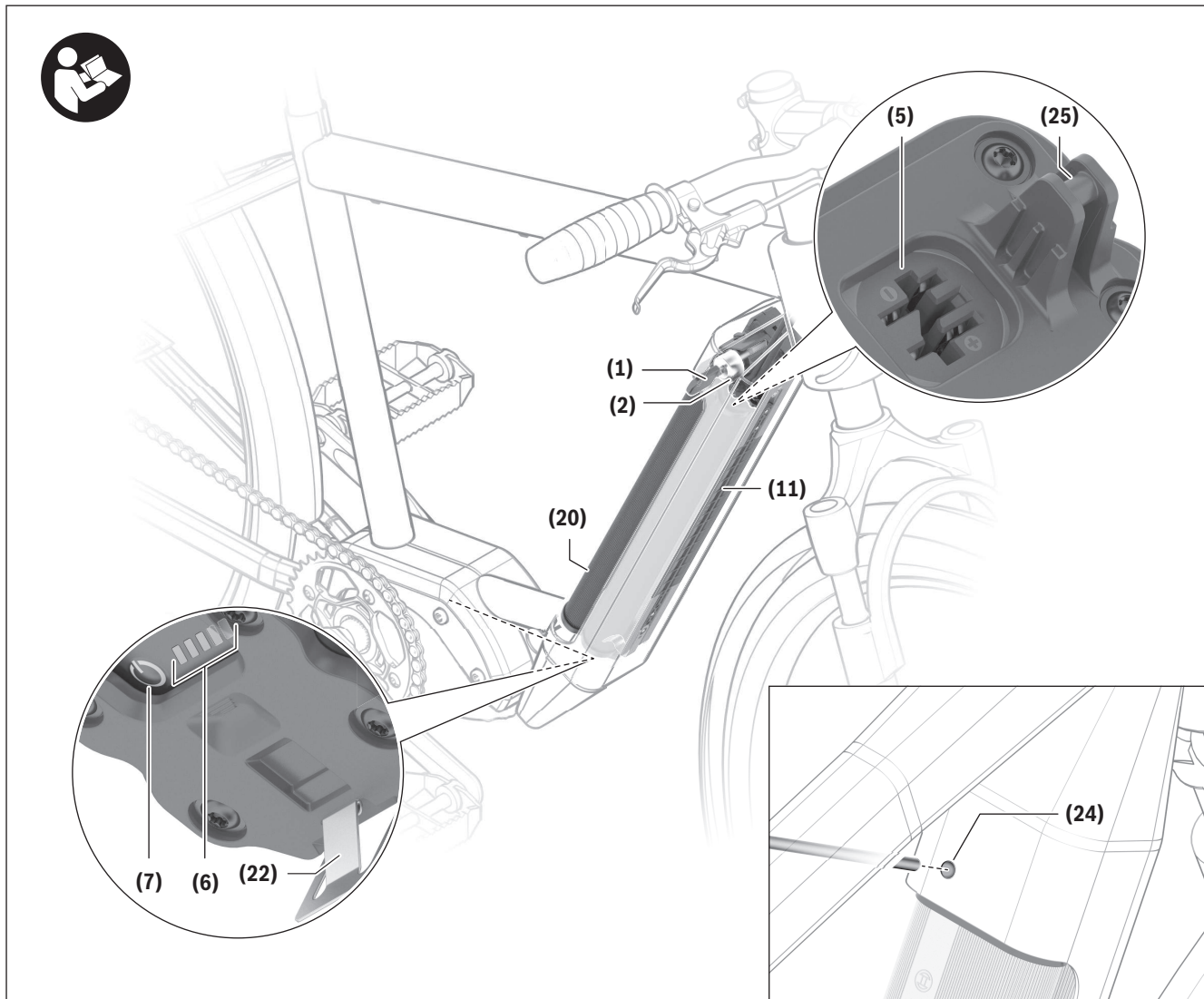


All representations of bike components are schematic and can deviate from your eBike.

- (1)** Key for the battery lock
- (2)** Battery lock
- (3)** PowerTube battery safety hook
- (5)** Socket for charging connector
- (6)** Operation/battery charge indicator
- (7)** On/off button
- (9)** Locking mechanism
- (10)** Pull strap
- (11)** Axial rail

- (12)** PowerTube battery (axial)
- (13)** Upper axial PowerTube holder

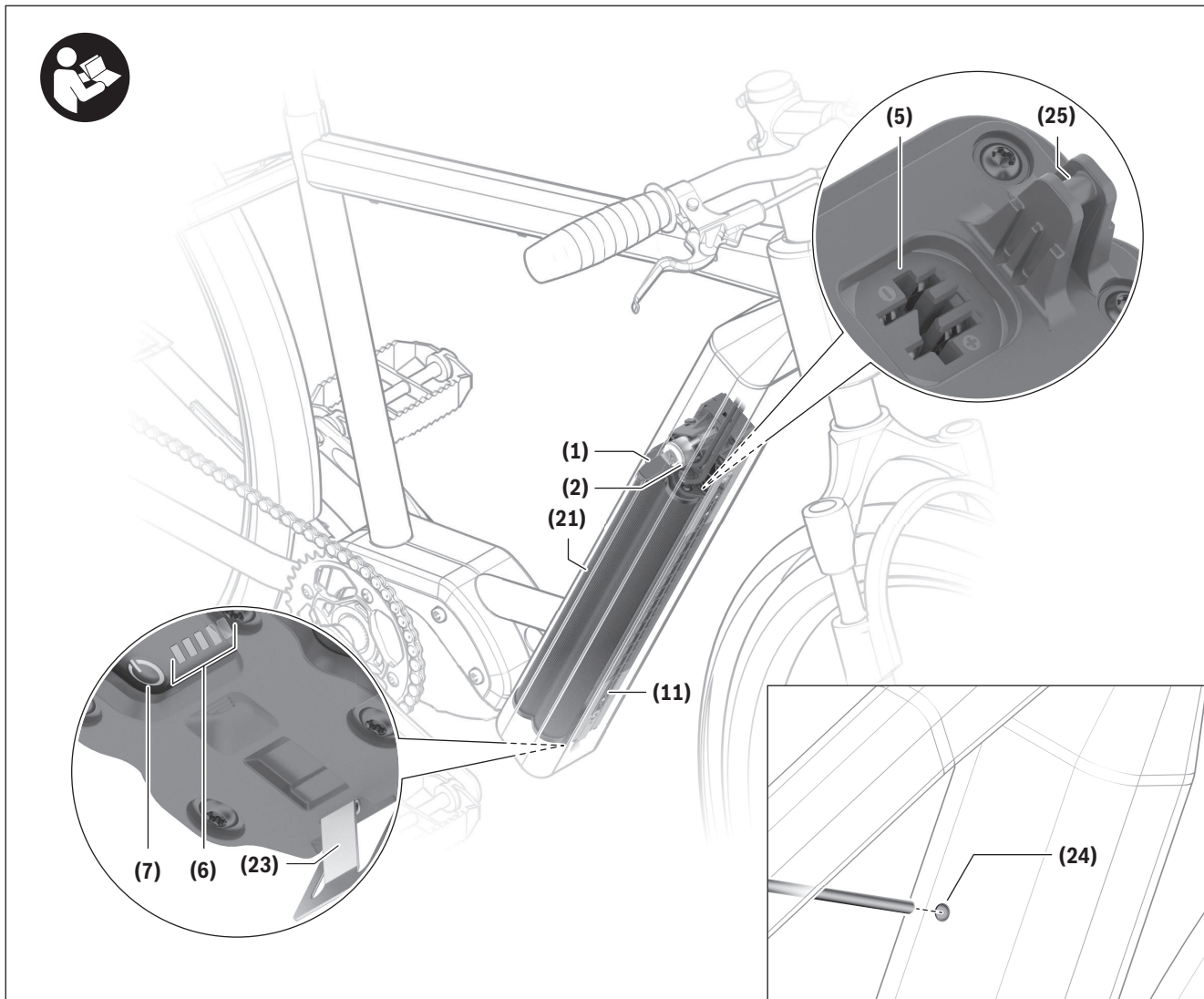
Product Features CompactTube



All representations of bike components are schematic and can deviate from your eBike.

- (1)** Key for the battery lock
- (2)** Battery lock
- (5)** Socket for charging connector
- (6)** Operation/battery charge indicator
- (7)** On/off button
- (9)** Locking mechanism
- (11)** Axial rail
- (20)** CompactTube battery (pivot)
- (22)** Safety restraint for CompactTube battery (pivot)
- (24)** CompactTube unlocking element^{a)}
- (25)** CompactTube holding element

a) Designs may vary



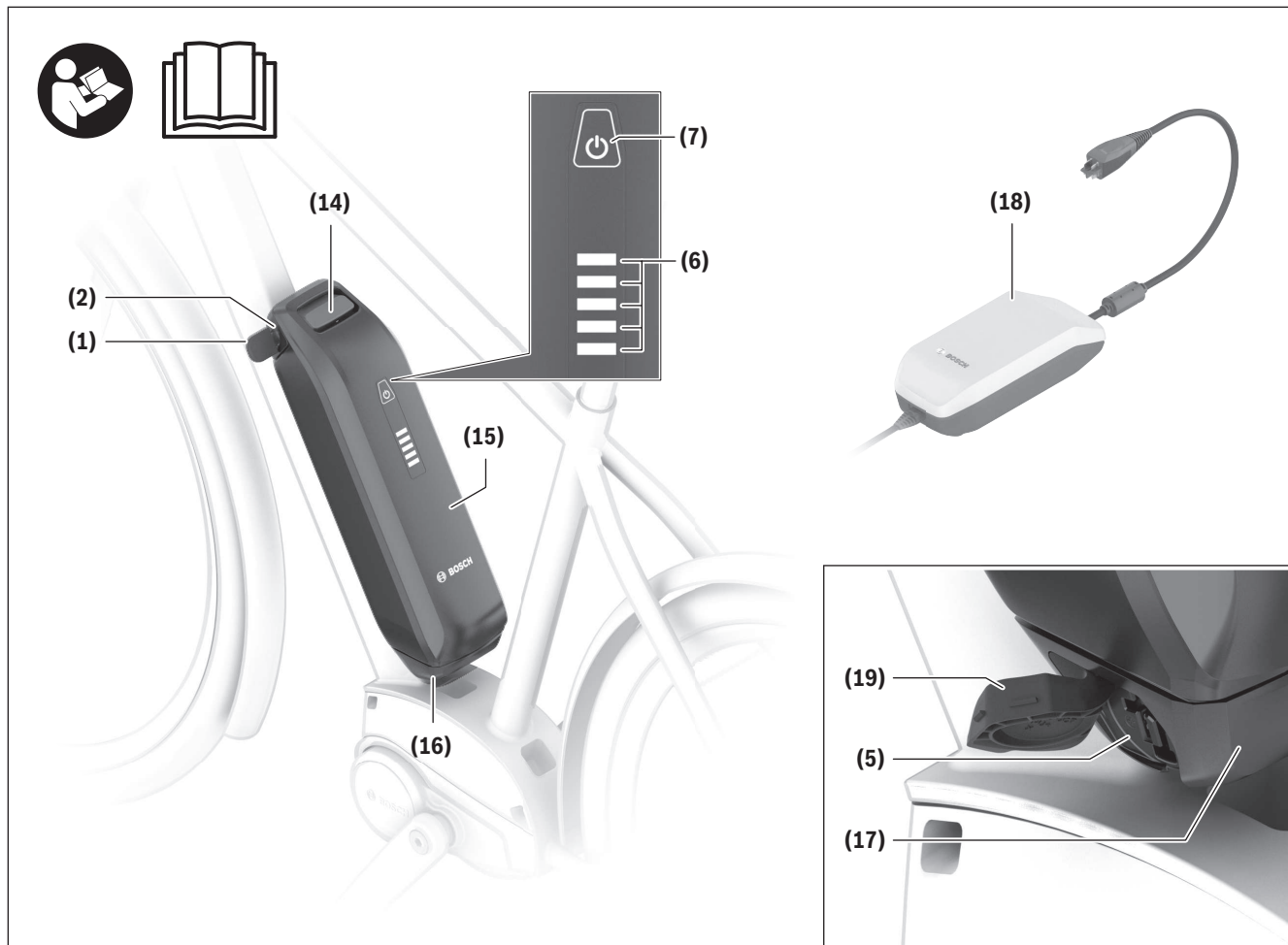
All representations of bike components are schematic and can deviate from your eBike.

- (1)** Key for the battery lock
- (2)** Battery lock
- (5)** Socket for charging connector
- (6)** Operation/battery charge indicator
- (7)** On/off button
- (9)** Locking mechanism
- (11)** Axial rail
- (21)** CompactTube battery (axial)
- (23)** Safety restraint for CompactTube battery (axial)

- (24)** CompactTube unlocking element^{a)}
- (25)** CompactTube holding element

a) Designs may vary

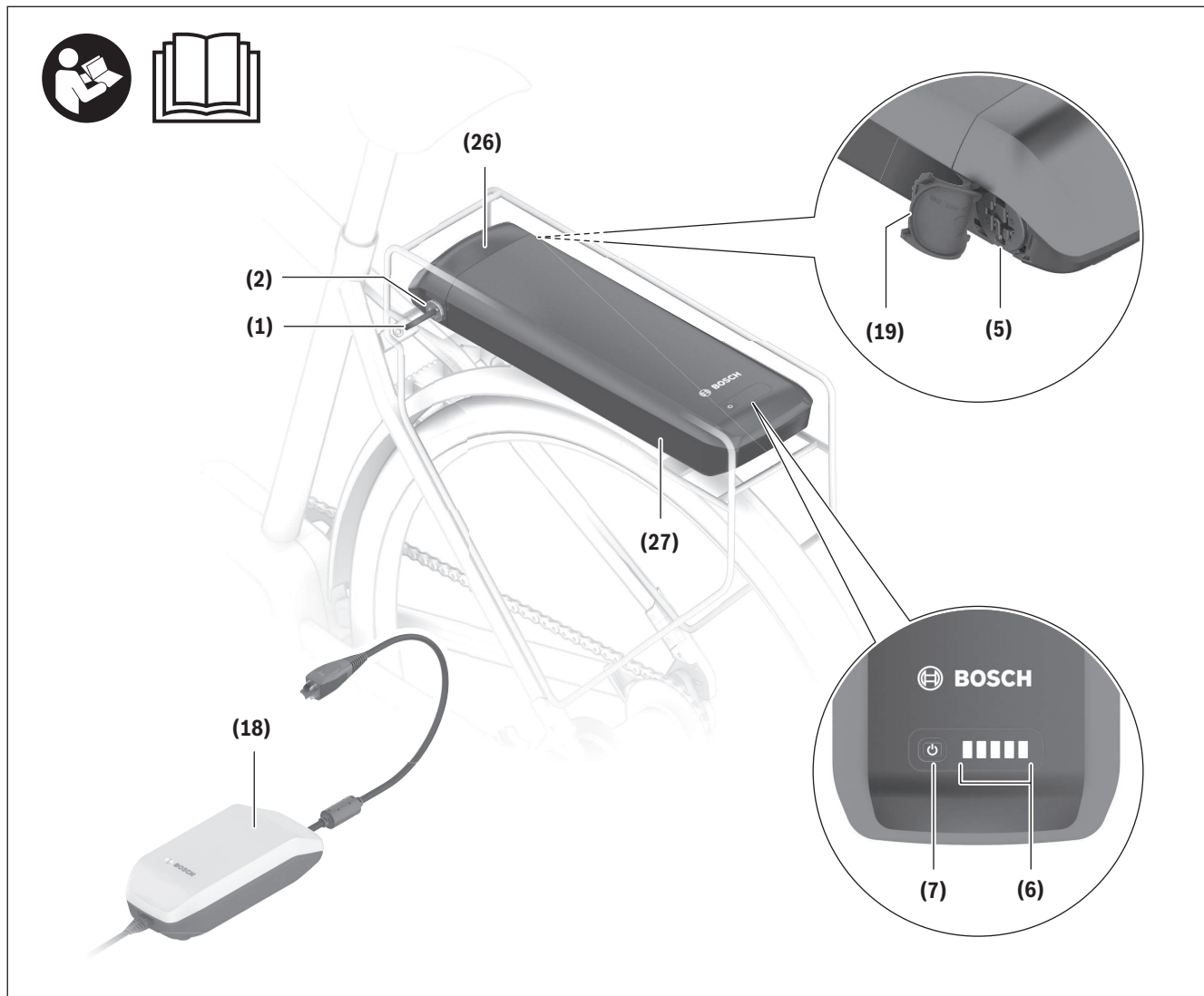
Product Feature PowerPack Frame



All representations of bike components are schematic and can deviate from your eBike.

- (1)** Key for the battery lock
- (2)** Battery lock
- (5)** Socket for charging connector
- (6)** Operation/battery charge indicator
- (7)** On/off button
- (14)** Upper holder for PowerPack battery
- (15)** PowerPack battery
- (16)** Lower holder for PowerPack battery (socket without charging option)
- (17)** Lower holder for PowerPack battery (socket with charging option)
- (18)** Charger
- (19)** Charging socket cover

Product Features PowerPack Rack



All representations of bike components are schematic and can deviate from your eBike.

(27) Rack-mounted battery

- (1)** Key for the battery lock
- (2)** Battery lock
- (5)** Socket for charging connector
- (6)** Operation/battery charge indicator
- (7)** On/off button
- (18)** Charger
- (19)** Charging socket cover
- (26)** Rack-mounted battery holder

Intended Use

The Bosch eBike batteries of the system generation **the smart system** are intended exclusively for the power supply of your drive unit of the system generation **the smart system** and must not be used for any other purpose.

Technical data

Li-ion battery		CompactTube 400	PowerTube 500	PowerTube 625	PowerTube 750
Product code	Horizontal	BBP3245 BBP3247	BBP3755	BBP3765	BBP3775
Product code	Vertical	BBP3246 BBP3247	BBP3756	BBP3766	BBP3776
Rated voltage	V=	36	36	36	36
Nominal capacity	Ah	11	13.4	16.7	20.1
Energy	Wh	400 ^{A)}	500 ^{A)}	625 ^{A)}	750 ^{A)}
Operating temperature	°F	23 to 104	23 to 104	23 to 104	23 to 104
Storage temperature	°F	50 to 104	50 to 104	50 to 104	50 to 104
Permitted charging temperature range	°F	32 to 104	32 to 104	32 to 104	32 to 104
Weight, approx.	lbs	4.4	6.6	7.9	9.6
Protection rating		IP55	IP55	IP55	IP55

A) Advertised battery energy capacity is an approximation. Due to manufacturing tolerances measured capacity may not always match the advertised capacity.

English – 16

Li-ion battery		PowerPack Frame 400	PowerPack Frame 545	PowerPack Frame 725	PowerPack Frame 800
Product code		BBP3545	BBP3556	BBP3575	BBP3585
Rated voltage	V=	36	36	36	36
Nominal capacity	Ah	11.1	14.4	19.2	22.2
Energy	Wh	400 ^{A)}	545 ^{A)}	725 ^{A)}	800 ^{A)}
Operating temperature	°F	23 to 104	23 to 104	23 to 104	23 to 104
Storage temperature	°F	50 to 104	50 to 104	50 to 104	50 to 104
Permitted charging temperature range	°F	32 to 104	32 to 104	32 to 104	32 to 104
Weight, approx.	lbs	4.8	6.6	8.8	8.6
Protection rating		IP55	IP55	IP55	IP55

A) Advertised battery energy capacity is an approximation. Due to manufacturing tolerances measured capacity may not always match the advertised capacity.

Li-ion battery		PowerPack Rack 400	PowerPack Rack 500
Product code		BBP3345	BBP3355
Rated voltage	V=	36	36
Nominal capacity	Ah	10.8	13.6
Energy	Wh	400 ^{A)}	500 ^{A)}
Operating temperature	°F	23 to 104	23 to 104
Storage temperature	°F	50 to 104	50 to 104
Permitted charging temperature range	°F	32 to 104	32 to 104
Weight, approx.	lbs	5.9	6.1
Protection rating		IP55	IP55

A) Advertised battery energy capacity is an approximation. Due to manufacturing tolerances measured capacity may not always match the advertised capacity.

Fitting

- ▶ **Ensure the eBike battery is placed on clean surfaces only.** Avoid getting dirt, e.g. sand or soil, in the charging socket and contacts in particular.

Testing the eBike Battery Before Using it for the First Time

Test the eBike battery before charging it for the first time or using it in your eBike.

To do this, press the on/off button **(7)** to switch the eBike battery on. If none of the LEDs on the battery charge indicator **(6)** lights up, the eBike battery may be damaged.

If at least one (but not all) of the LEDs on the battery charge indicator **(6)** lights up, the eBike battery will need to be fully charged before using it for the first time.

- ▶ **Do not charge or use eBike batteries if they are damaged.** Contact an authorized bicycle dealer.

Charging the eBike Battery

- ▶ **A Bosch eBike battery of the smart system generation of systems must only be charged using an original Bosch charger from the smart system generation of systems.**

Note: The eBike battery is supplied partially charged. To ensure full capacity of the eBike battery, fully charge the battery in the charger before using it for the first time.

To charge the eBike battery, read and follow the instructions in the operating manual for the charger. The eBike battery can be charged at any state of charge. Interrupting the charging process does not damage the eBike battery.

The eBike battery has a temperature monitoring function that only allows it to be charged within a temperature range of **32 °F** to **104 °F**.



If the temperature of the eBike battery is outside this charging range, three of the LEDs on the battery charge indicator **(6)** will

flash. Disconnect the eBike battery from the charger and let it reach the correct temperature range.

CAUTION

- ▶ **Do not connect the battery pack to the charger until it has reached the allowable charging temperature.**

Battery charge indicator outside of the eBike

The five LEDs on the battery charge indicator **(6)** indicate the battery's state of charge when the eBike battery is switched on.

Each LED represents approximately 20 % of the charging capacity. When the eBike battery is fully charged, all five LEDs will be lit.

The eBike battery's state of charge when switched on is also shown on the display of the on-board computer. Read and follow the instructions in the operating manuals for the drive unit and on-board computer.

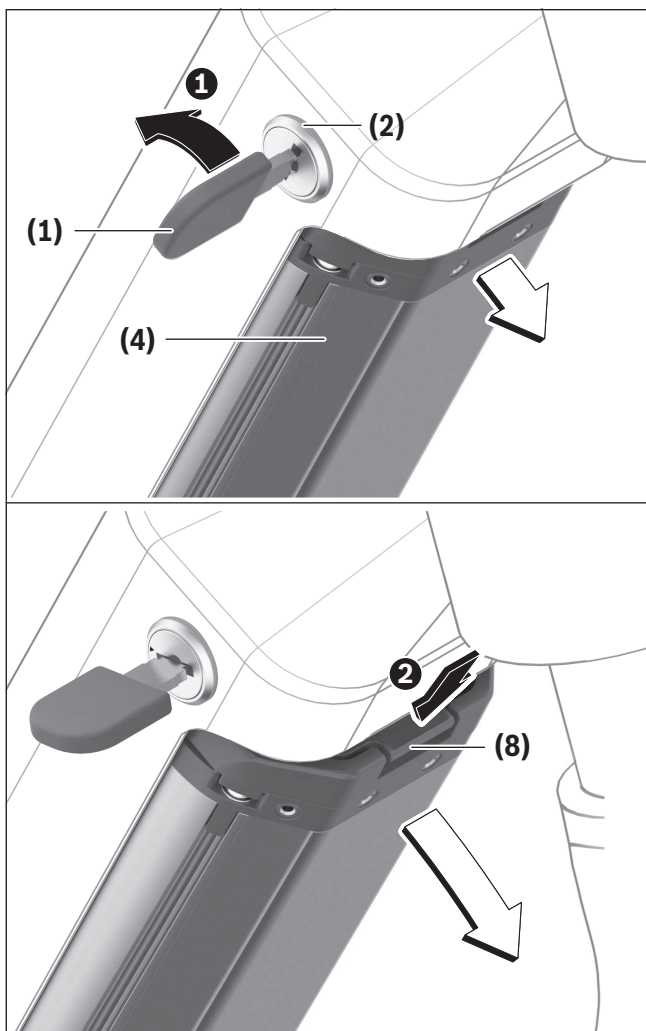
If the eBike battery's capacity is less than 10 %, the last remaining LED will flash.

Once charging is complete, disconnect the eBike battery from the charger and the charger from the mains.

Inserting and Removing the eBike Battery

- ▶ **When inserting the battery into the holder or removing it from the holder, always switch off the eBike battery and the eBike beforehand.**
- ▶ **Once you have inserted the eBike battery, check that it is correctly positioned and secure in all directions.**

Removing the PowerTube Battery (pivot)



❶ To remove the PowerTube battery (4), open the battery lock (2) using the key (1). The battery will be unlocked and fall into the safety restraint (8).

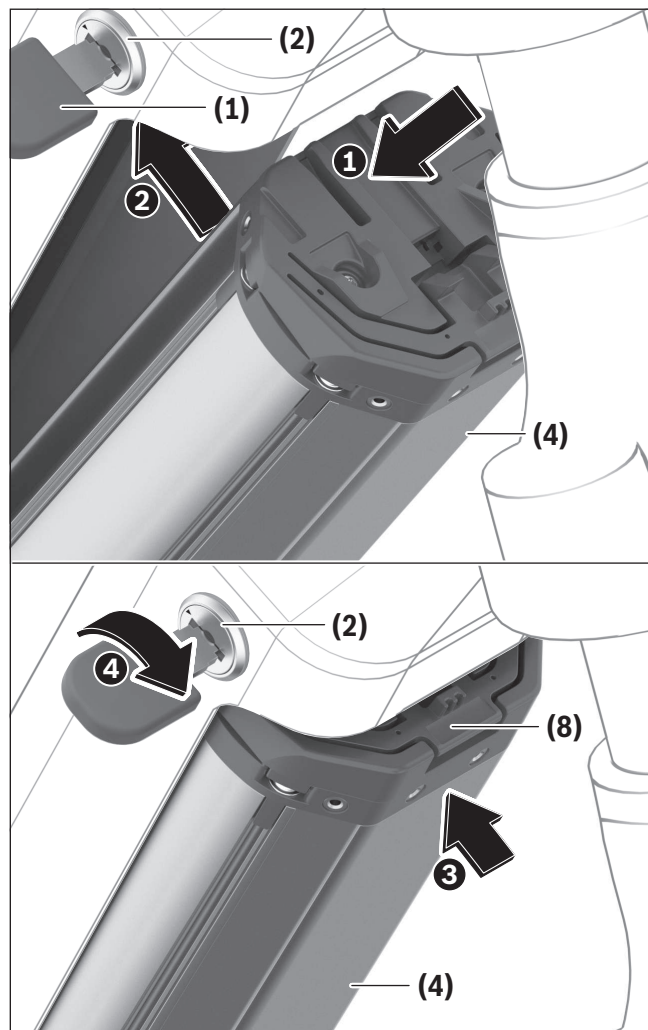
Note: When removing the eBike battery, hold it firmly in your hand.

❷ Hold the battery firmly and press on the safety restraint (8) from above. The battery will be unlocked completely and fall into your hand. Then pull the battery out of the frame.

Note: As a result of **varying** designs, the battery may need to be inserted and removed using a different

method. Read the eBike manufacturer's operating instructions.

Inserting the PowerTube Battery (pivot)



In order for the battery to be inserted, the key (1) must be inserted into the battery lock (2) and the battery lock must be open.

❶ To insert the PowerTube battery (4), place it so that its contacts are in the lower holder of the frame.

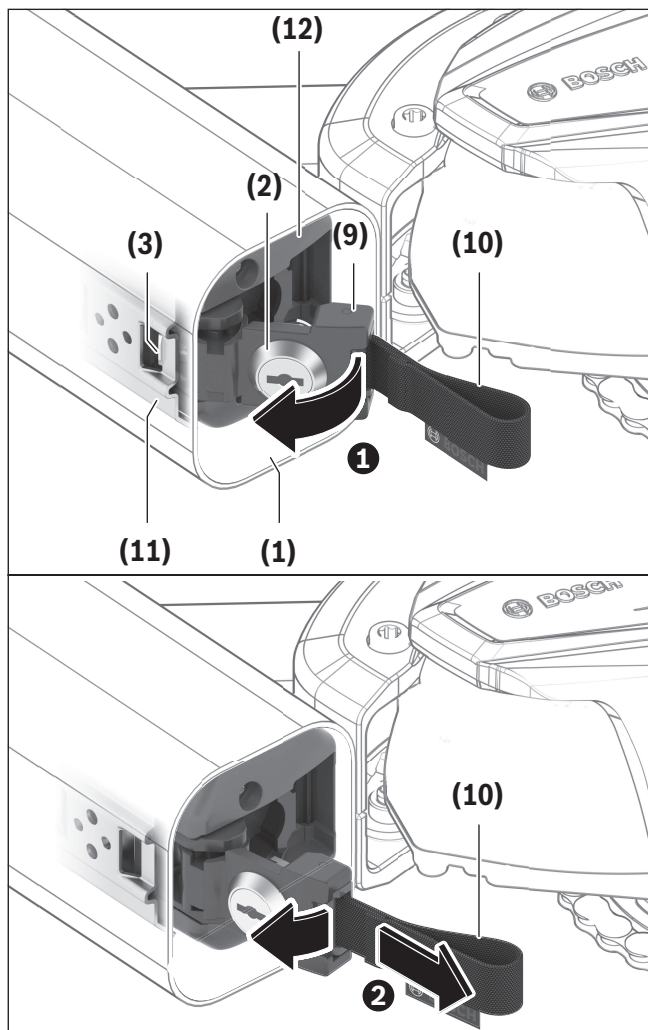
❷ Twist the battery upwards until it is held by the safety restraint (8).

❸ Hold the battery lock open with the key and press the battery upwards until you hear it click into place.

- ④ Always secure the battery by closing the battery lock (2) – otherwise the battery lock may open and the battery may fall out of the holder.

Always remove the key (1) from the battery lock (2) after locking it. This prevents both the key from falling out and the eBike battery from being removed by unauthorized third parties when the eBike is not in use.

Removing the PowerTube Battery (axial)

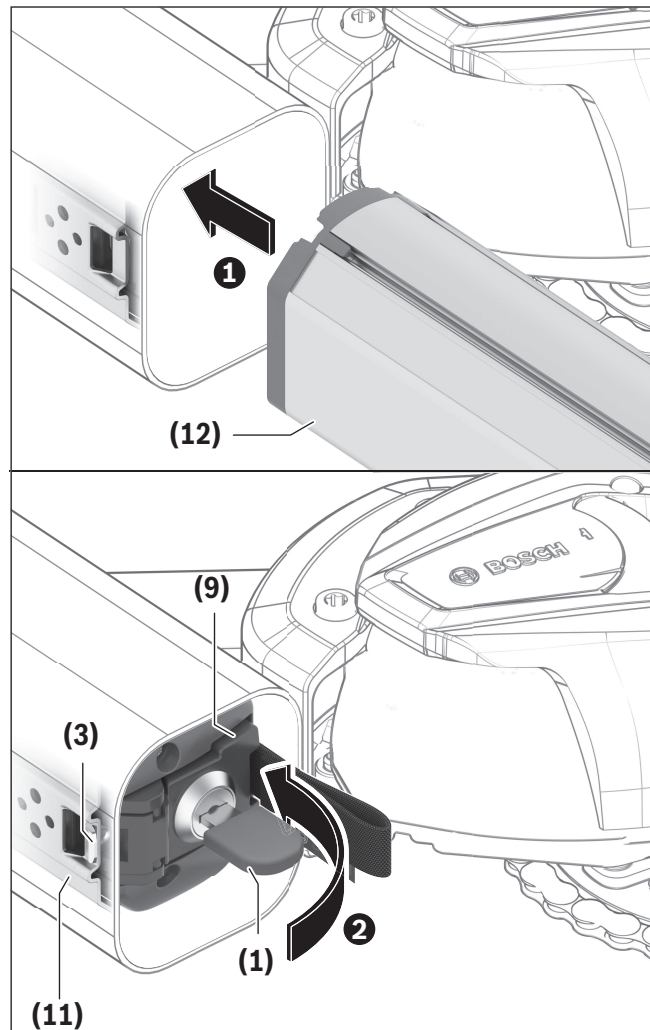


- ① To remove the PowerTube battery (12), open the battery lock (2) using the key (1), remove the key (1) and fold the locking mechanism (9) to the side.

- ② Use the pull strap (10) to pull the battery (12) out of the frame and keep hold of it so that it does not fall out of the frame.

Note: As a result of **varying** designs, the battery may need to be inserted and removed using a different method. Read the eBike manufacturer's operating instructions.

Inserting the PowerTube Battery (axial)



In order for the battery to be inserted, the locking mechanism (9) must be folded to the side. At this point, the key (1) must not be inserted in the battery lock (2).

- ① To insert the PowerTube battery, insert it into the frame with the socket for the charging con-

nector **(5)** facing upwards until the battery clicks into place. Ensure that the battery is aligned correctly.

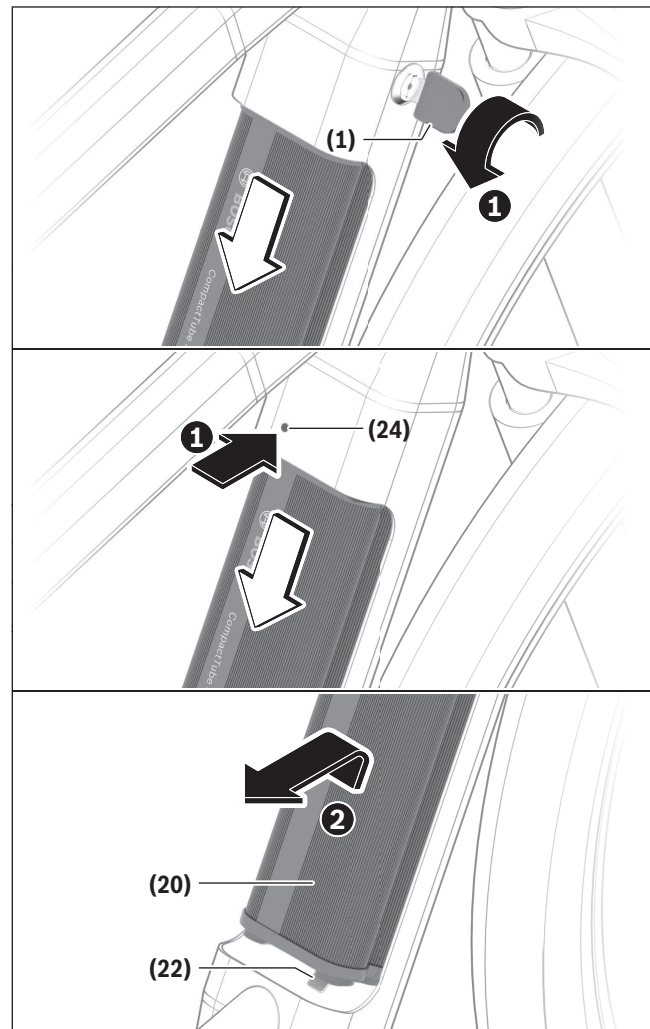
- ② Close the locking mechanism **(9)**, insert the key **(1)** into the battery lock **(2)** and lock the battery. Make sure that the safety hook **(3)** is correctly hooked in at the opening of the guide rail **(11)**. Otherwise, there is a risk of the battery falling out while riding.

Always remove the key **(1)** from the battery lock **(2)** after locking it. This prevents both the key from falling out and the eBike battery from being removed by unauthorized third parties when the eBike is not in use.

CompactTube Battery (built-in)

The eBike batteries built-in to the bicycle frame must only be removed in the event of a fault. Contact an authorized bicycle dealer if this happens.

Removing the CompactTube Battery (pivot)



- ① To remove the CompactTube battery **(20)**, open the battery lock **(2)** with the key **(1)** or press on the unlocking element **(24)** with a suitable, non-pointed tool (e.g. a hex key). The battery will be unlocked and fall into the safety restraint **(22)**.

Note: When removing the eBike battery, hold it firmly in your hand.

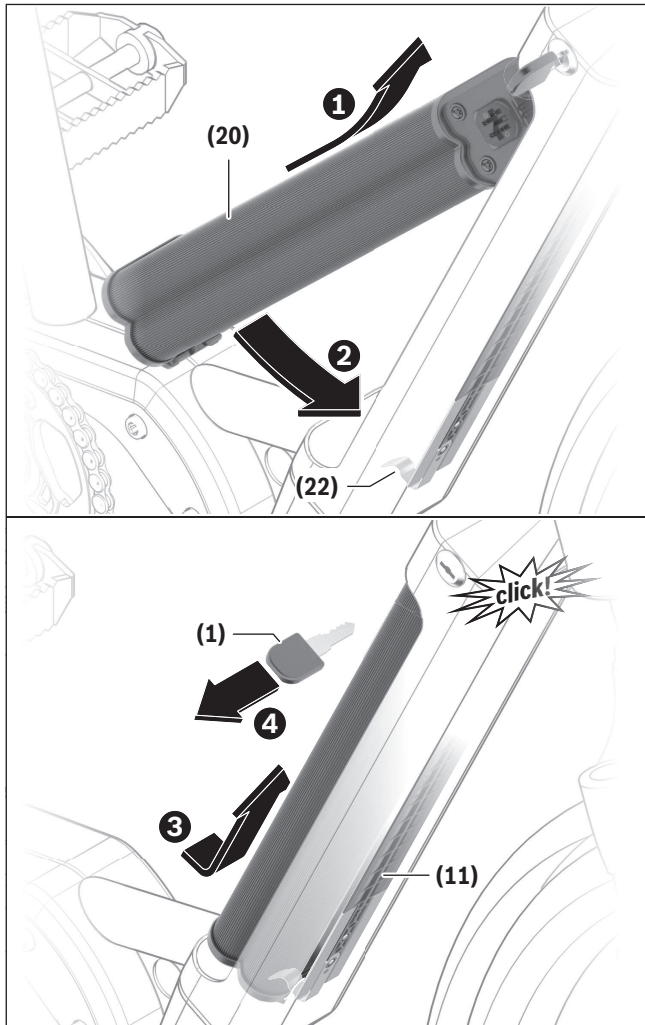
- ② Hold the battery firmly, gently slide the battery towards the battery lock **(2)** and remove it from the safety restraint **(22)**.

Note: The unlocking element may vary from the image and may be a manufacturer-specific solution.

Read the eBike manufacturer's operating instructions.

Note: As a result of **varying** designs, the battery may need to be inserted and removed using a different method. Read the eBike manufacturer's operating instructions.

Inserting the CompactTube Battery (pivot)

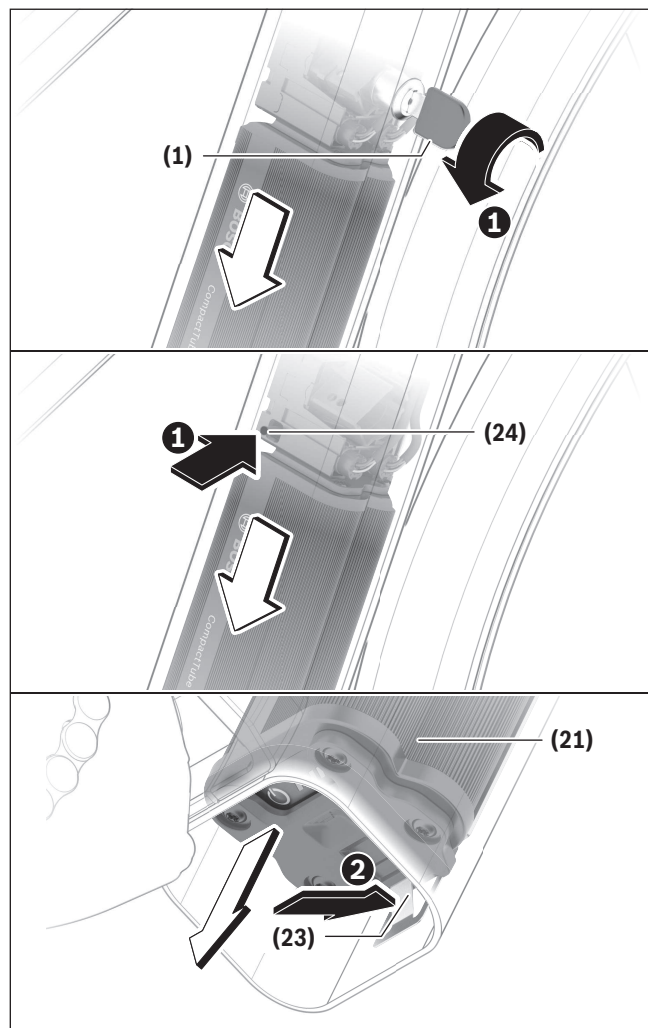


- ❶ To insert the CompactTube battery (20), place it so that its contacts are in the upper holder of the frame.
- ❷ Twist the battery in the bicycle frame until it is held by the safety restraint (22).

- ❸ Push the battery into the guide rail (11) and slide it towards the battery lock (2) until it audibly clicks into place.
- ❹ Then remove the key (1) from the battery lock (2).

Always remove the key (1) from the battery lock (2) after locking it. This prevents both the key from falling out and the eBike battery from being removed by unauthorized third parties when the eBike is not in use.

Removing the CompactTube Battery (axial)



- ❶ To remove the CompactTube battery (21), open the battery lock (2) with the key (1) or press on the unlocking element (24) with a suitable, non-

pointed tool (e.g. a hex key). The battery will be unlocked and fall into the safety restraint (23).

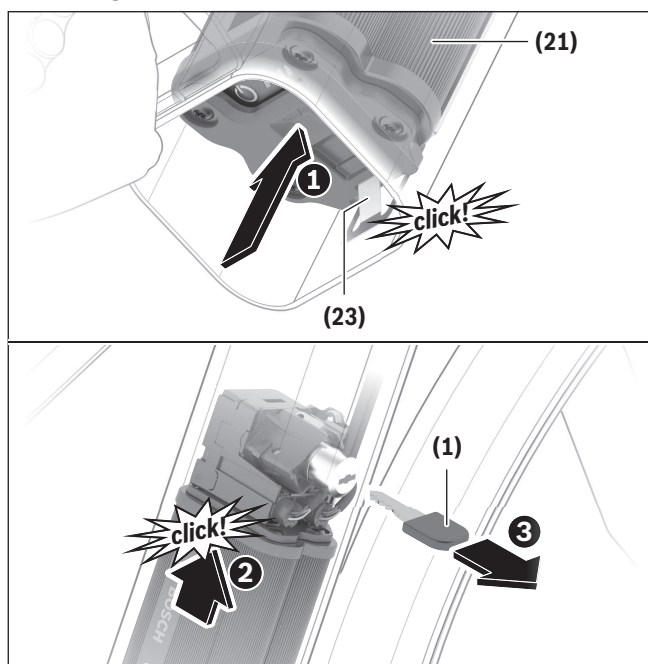
Note: When removing the eBike battery, hold it firmly in your hand.

- ② Press the safety restraint (23). Hold the battery firmly in place if the battery is sliding out of the bicycle frame. Then remove the battery.

Note: The unlocking element may vary from the image and may be a manufacturer-specific solution. Read the eBike manufacturer's operating instructions.

Note: As a result of **varying** designs, the battery may need to be inserted and removed using a different method. Read the eBike manufacturer's operating instructions.

Inserting the CompactTube Battery (axial)

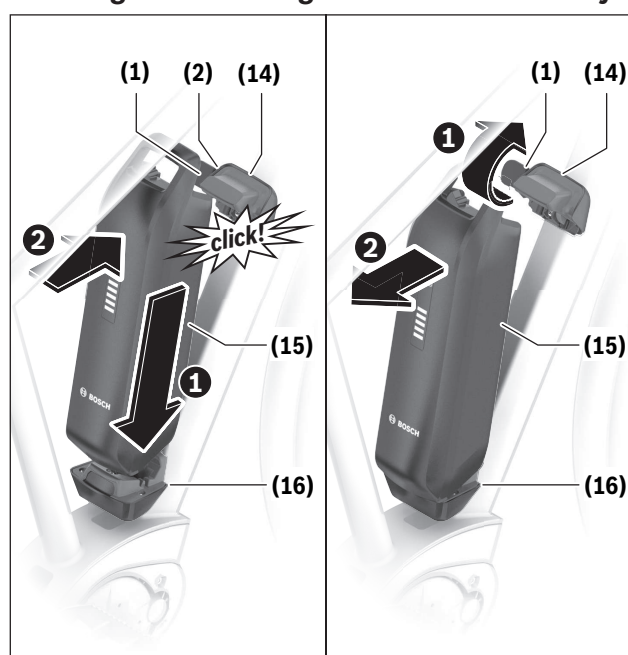


- ① To insert the CompactTube battery (21), insert it into the frame with the socket for the charging connector (5) facing upwards until you hear the battery click into place in the safety restraint (23). Ensure that the battery is aligned correctly.

- ② Slide the battery into the battery lock (2) until you hear it click into place in the battery lock (2).
- ③ Then remove the key (1) from the battery lock (2).

Always remove the key (1) from the battery lock (2) after locking it. This prevents both the key from falling out and the eBike battery from being removed by unauthorized third parties when the eBike is not in use.

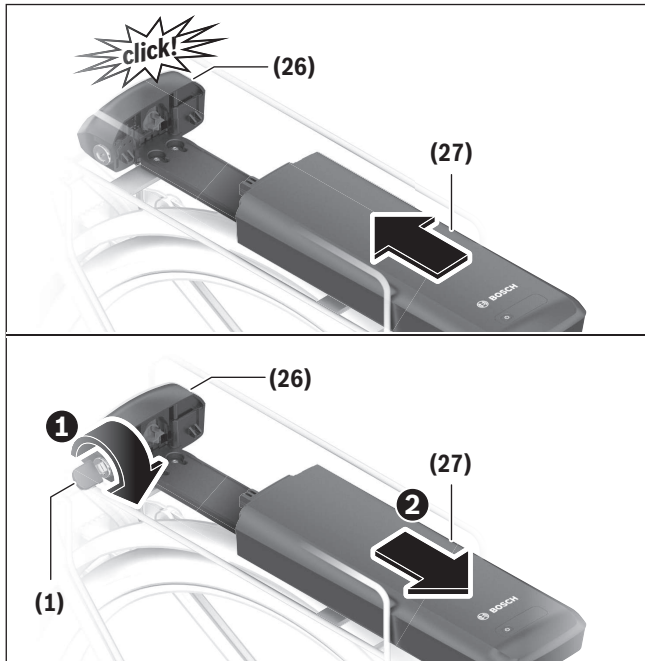
Inserting and Removing the PowerPack battery



In order to insert the battery, the key (1) must not be inserted in the battery lock (2).

- ① To **insert** the PowerPack battery (15), place it so that its contacts are in the lower holder (16) on the eBike.
- ② Twist it into the upper holder (14) as far as possible until you hear it click into place.
- ① To **remove** the PowerPack battery (15), switch it off and open the battery lock (2) using the key (1).
- ② Twist the battery out of the upper holder (14) and pull it out of the lower holder (16).

Inserting and Removing the Rack-Mounted Battery



In order for the battery to be inserted, the battery lock **(2)** must be locked. The key **(1)** must not be inserted in the battery lock **(2)**.

To **insert** the battery **(27)**, slide its contacts into the holder **(26)** until you hear it click into place.

To **remove** the battery **(27)**, switch it off and open the battery lock using the key **(1)** **ⓘ**.

Pull the battery out of the holder **(26)** **ⓘ**.

Operation

Start-up

- **Use only original Bosch eBike batteries from the system generation the smart system that the manufacturer has approved for your eBike.** Using other eBike batteries can lead to injuries and pose a fire hazard. Bosch accepts no liability or warranty claims if other eBike batteries are used.

Switching on/off

Switching on the eBike battery is one way to switch on the eBike. Read and follow the instructions in the operating manuals for the drive unit and on-board computer.

Before switching on the eBike battery, i.e. the eBike, make sure that the battery lock **(2)** is locked.

To **switch on** the eBike battery, press the on/off button **(7)**. Do not use sharp or pointed objects to press the button. The LEDs on the indicator **(6)** will light up, indicating the battery's state of charge at the same time.

- **Always check that the battery pack is locked in place.** To do this, pull on the battery pack (after the key has been removed).

Note: If the eBike battery capacity is less than 5 %, none of the LEDs on the battery charge indicator **(6)** will light up. Whether the eBike is switched on can only be determined from the on-board computer/control unit.

To **switch off** the eBike battery, press the on/off button **(7)** again. The LEDs on the indicator **(6)** go out. This will also switch the eBike off.

If no power is drawn from the drive for about **10** minutes (e.g. because the eBike is not moving) and no button is pressed on the on-board computer or the operating unit of the eBike, the eBike will switch off automatically.

The eBike battery is protected against deep discharge, overloading, overheating and short-circuiting by the Battery Management System (BMS). In the event of danger, a protective circuit switches the eBike battery off automatically.



If a fault is detected in the eBike battery, two of the LEDs on the battery charge indicator **(6)** will flash. Contact an authorized bicycle dealer if this happens.

Behavior in the event of a fault

The eBike battery must not be opened, not even for repairs. There is a risk of the eBike battery catching fire, e.g. as a result of a short circuit. This risk continues to apply for any Bosch eBike battery that has **ever** been opened, even at a later point in time.

In the event of a fault, do not have your eBike battery repaired; instead, have your bicycle retailer replace it with an original Bosch eBike battery of the system generation **the smart system**.

Transport

- **If you transport your eBike attached to the outside of your car, e.g. on a bike rack, remove the on-board computer and the eBike battery (except fixed mount battery) to avoid damaging them.**

The eBike batteries are subject to legislation on the transport of dangerous goods.

When batteries are transported by commercial users or third parties (e.g. air transport or forwarding agency), special requirements on packaging and labeling (e.g. ADR regulations) must be met. When preparing items for shipping, a dangerous goods expert can be consulted as required.

Do not ship batteries if the housing is damaged or the eBike battery is not fully functional. Use only the origi-

nal Bosch eBike battery packaging when transporting the eBike battery. Apply tape over exposed contacts and pack the eBike battery such that it cannot move around inside the packaging. Inform your parcel service that the package contains dangerous goods. Please also observe any additional national regulations should these exist.

- ▶ **Always use an approved and compatible bicycle rack when transporting your eBike. The Bosch drive system adds weight to the bicycle.** Refer to your bicycle rack manual to be sure your eBike is compatible. Overloading a bike rack can result in death or serious injury.

- ▶ **Use proper lifting techniques as electric bikes are generally heavier than bicycles.**

Ship batteries only when the housing is undamaged. Tape or mask off open contacts and pack up the battery in such a manner that it cannot move around in the packaging. Inform your parcel service that the package contains dangerous goods. Please also observe possibly more detailed national regulations. Always check state and federal regulations before attempting to ship your battery.

If you have any questions about transporting the eBike batteries, contact an authorized bicycle dealer. You can also order suitable transport packaging from the dealer.

Maintenance/cleaning

- ▶ **Always switch the battery pack off, when inserting or removing it from the holder.** Never attempt to insert or remove the battery pack while riding the bike.
- ▶ **Do not submerge your eBike components in water, or wash with pressurized hose.** Your Bosch drive unit is designed to be water tight to rain water or non-pressure hose washing.
- ▶ **Note down the manufacturer and the number of the key.** In case of loss of the keys, please refer to an authorised Bosch eBike dealer. Please provide the name of the manufacturer and the number of the key.
- ▶ **Do not paint any components of the Bosch drive system as they may cause premature failure of the component.**

Cleaning

- ▶ **Do not submerge your eBike components in water, or wash with pressurized hose.** Your Bosch drive unit is designed to be water tight to rain water or non-pressure hose washing.

Keep all components of your eBike clean, especially the battery pack contacts and corresponding holder contacts. All components including the drive unit may not be immersed in water or cleaned with a high-pressure cleaner. Clean them carefully with a soft, damp cloth (using only mild soap and water).

Keep the eBike battery clean and avoid contact with skincare products, sunscreen and insect repellent. Clean it carefully with a soft, damp cloth.

Clean and lightly grease the connector pins occasionally. Use medical or technical Vaseline for this purpose.

After-sales service and advice on using products

If you have any questions about the eBike and its components, contact an authorized bicycle retailer. For contact details of authorized bike dealerships, please visit www.bosch-ebike.com.

Please contact an authorized bicycle dealer if the eBike battery is no longer working.

Storing

The service life of the eBike battery can be extended if it is looked after well and especially if it is stored at the correct temperature.

As it ages, however, the capacity of the eBike battery will diminish, even with good care.

A significantly reduced operating period after charging indicates that the eBike battery pack is worn out and must be replaced. You can replace it yourself by purchasing a genuine Bosch PowerPack from an authorized Bosch eBike dealer.

Recharging the eBike Battery Before and During Storage

When you are not going to use the eBike battery for an extended period (longer than three months), store it at a state of charge of around 30 % to 60 % (when two to three of the LEDs on the battery charge indicator **(6)** are lit).

Check the state of charge after six months. If only one of the LEDs on the battery charge indicator **(6)** is lit, charge the eBike battery back up to around 30 % to 60 %.

Note: If the eBike battery is stored with no charge for an extended period of time, it may become damaged despite the low self-discharge and the battery capacity could be significantly reduced.

Leaving the eBike battery permanently connected to the charger is not recommended.

Storage conditions

If possible, store the eBike battery in a dry, well-ventilated place. Protect it against moisture and water.

When the weather conditions are bad, it is advisable to remove the eBike battery from the eBike and store it in a closed room, for example, until you use it next.

Do **not** store the eBike battery in the following locations:

- in areas without smoke alarms
- near combustible or easily flammable objects
- near heat sources
- in locked vehicles (especially in the summer)
- in direct sunlight




To ensure an optimum service life, store the eBike batteries at room temperature.

Never store it at temperatures below **14 °F** or above **140 °F**.

Make sure that the maximum storage temperature is not exceeded.

Leaving the eBike battery on the eBike for storage is not recommended.

Troubleshooting

Cause	Corrective measures
 <p>eBike battery defective</p>	<p>Two LEDs flash on the eBike battery. Contact an authorized bike dealership.</p>
 <p>eBike battery too warm or too cold</p>	<p>Three LEDs flash on the eBike battery. Disconnect the eBike battery from the charger until the charging temperature range has been reached. Do not reconnect the eBike battery to the charger until it has reached the correct charging temperature.</p>
 <p>The charger is not charging.</p>	<p>No LEDs flashing (one or more LEDs will remain permanently lit depending on the state of charge of the eBike battery). Contact an authorized bike dealership.</p>
<p>Charging not possible (no indicator on eBike battery)</p>	
<p>Connector not attached properly</p>	<p>Check all connections.</p>
<p>eBike battery contacts dirty</p>	<p>Carefully clean the eBike battery contacts.</p>
<p>Socket outlet, cable or charger defective</p>	<p>Check the mains voltage, have the charger checked over by a bike dealership.</p>
<p>eBike battery defective</p>	<p>Contact an authorized bike dealership.</p>

Battery Recycling Program



The drive unit, on-board computer incl. operating unit, eBike battery, speed sensor, accessories and packaging should be disposed of in an environmentally correct manner.

Do not dispose of eBikes and their components with household waste.

Tape or mask off the contact surfaces of the battery pack's terminals with adhesive tape before disposing of battery packs.

Do not touch severely damaged eBike batteries with your bare hands – electrolyte may escape and cause skin irritation. Store the defective battery in a safe location outdoors. Cover the terminals if necessary and inform your dealer. They will help you to dispose of it properly.



You may recycle your Bosch battery pack by calling 1.800.822.8837.

Table des matières

Introduction	2
À propos des avertissements.....	2
Avertissements généraux.....	2
Utilisez votre notice d'utilisation	3
Étiquettes d'avertissement sur le produit	4
Utilisation de la batterie Lithium-Ion	7
Consignes de sécurité pour les batteries de VAE Bosch	7
Description des prestations et du produit.....	9
Montage.....	17
Fonctionnement.....	24
Transport	24
Maintenance/nettoyage.....	25
Stockage.....	26
Résolution des problèmes	27
Programme de recyclage des accus.....	28

Introduction

À propos des avertissements

Cette notice contient de nombreuses mentions de danger de type **DANGER, AVERTISSEMENT** et **ATTENTION** destinées à attirer l'attention sur les conséquences d'erreurs, dans le but d'utiliser, d'assembler, d'entretenir, de conserver et d'éliminer dans les règles et en toute sécurité les vélos électriques dotés d'un système eBike Bosch.

- Le symbole de sécurité et le mot **DANGER** signalent une situation à risque élevé, qui entraîne inévitablement des blessures graves, voire la mort, si elle n'est pas évitée.

- Le symbole de sécurité et le mot **AVERTISSEMENT** signalent une situation à risque élevé, pouvant entraîner des blessures graves, voire la mort, si elle n'est pas évitée.
- Le symbole de sécurité et le mot **ATTENTION** signalent une situation à risque modéré pouvant entraîner des blessures légères ou modérées si elle n'est pas évitée.

Avertissements généraux



Lisez tous les avertissements de sécurité et toutes les instructions. Le fait de ne pas respecter les avertissements et les instructions peut entraîner des blessures graves ou mortelles.

Conservez tous les avertissements et toutes les instructions pour pouvoir s'y reporter ultérieurement.

Le terme **batterie VAE** utilisé dans cette notice désigne toutes les batteries VAE Bosch d'origine de la génération **the smart system (le système intelligent)**.

- **Lisez TOUS les manuels et TOUTES les notices jointes avant d'utiliser votre vélo pour la première fois.** Votre système d'entraînement Bosch est livré avec d'autres manuels et documents fournis par le fabricant du vélo et des autres éléments. Ne pas lire ou ne pas comprendre les informations de sécurité peut entraîner des blessures graves ou mortelles.

AVERTISSEMENT

- **Cette notice contient d'importantes informations sur la sécurité, les performances et l'entretien.** Veuillez la lire avant d'utiliser votre vélo pour

la première fois, et la conserver pour référence ultérieure. Vous pouvez également retrouver cette notice en ligne à l'adresse www.bosch-ebike.com.

- **Cette notice est destinée à être lue conjointement avec le manuel utilisateur séparé fourni avec votre vélo.** Assurez-vous de lire tous les documents fournis y compris les étiquettes apposées sur le produit avant la première utilisation.
- **Assumez la responsabilité de votre propre SÉCURITÉ.** En cas de question ou d'incompréhension, contactez votre revendeur ou le fabricant du vélo ou de l'élément.
- **Certains accessoires de l'eBike peuvent présenter un risque d'étouffement pour les petits enfants.** Conservez ces accessoires hors de portée des enfants.

ATTENTION

- **Le système d'entraînement Bosch alourdit votre vélo. Vous n'avez peut-être pas l'habitude de le soulever.** Évitez de vous blesser en utilisant des techniques de levage appropriées.

Utilisez votre notice d'utilisation

Nous nous réservons le droit d'apporter à tout moment des modifications au logiciel pour corriger des erreurs ou pour modifier les fonctionnalités décrites dans la présente notice.

Graphiques

Le vélo illustré dans cette notice peut être légèrement différent de votre vélo, mais il est suffisamment similaire pour vous permettre de comprendre nos instructions.

Les côtés DROIT et GAUCHE sont déterminés en se plaçant en situation, dans le sens de la marche du vélo. Lorsqu'une ligne en pointillé (-----) apparaît, l'élément auquel il est fait référence n'est pas visible.

Étiquettes d'avertissement sur le produit

A



BOSCH
Robert Bosch GmbH
72757 Reutlingen
Germany
www.bosch-ebike.com







!!! 警告: 使用前に取扱説明書を読むこと。分解、改造、端子の短絡、火気への投入禁止。故障が疑われる時は使用を停止する。専用充電器を使用すること。

!!! 주의사항: 1. 사용전 반드시 사용설명서를 읽어주시기 바랍니다. 2. 비오는 날이나 가연성 폭발물 근처에서는 사용하지 마세요.





Li-ion 20

⚠ WARNING To reduce the risk of injury, explosion, or fire, user must read instruction manual. Charge battery only with Bosch eBike chargers. • Do not crush, puncture, disassemble, short terminals, or dispose in fire. • Do not use battery once it has been impacted, sustained water damage or visibly damaged.

⚠ AVERTISSEMENT L'utilisateur doit lire le mode d'emploi pour réduire le risqué de blessure, d'explosion ou d'incendie. • Ne charger la pile qu'avec un chargeur Bosch eBike. • Ne pas écraser, perforer, démonter, court-circuiter les bornes ou jeter dans un feu. • Ne pas réutiliser la pile si elle a subi un choc, des dégâts causés par l'eau ou d'autres dommages visibles.

B



BOSCH
Robert Bosch GmbH
72757 Reutlingen
Germany
www.bosch-ebike.com







警告: 可充電之二次鋰電池組; 依照說明書指示使用電池。使用專用充電器。廢電池請回收。

!!! 警告: 使用前に取扱説明書を読むこと。分解、改造、端子の短絡、火気への投入禁止。故障が疑われる時は使用を停止する。専用充電器を使用すること。

!!! 주의사항: 1. 사용전 반드시 사용설명서를 읽어주시기 바랍니다. 2. 비오는 날이나 가연성 폭발물 근처에서는 사용하지 마세요.





Li-ion 20

⚠ WARNING To reduce the risk of injury, explosion, or fire, user must read instruction manual. Charge battery only with Bosch eBike chargers. • Do not crush, puncture, disassemble, short terminals, or dispose in fire. • Do not use battery once it has been impacted, sustained water damage or visibly damaged.

⚠ AVERTISSEMENT L'utilisateur doit lire le mode d'emploi pour réduire le risqué de blessure, d'explosion ou d'incendie. • Ne charger la pile qu'avec un chargeur Bosch eBike. • Ne pas écraser, perforer, démonter, court-circuiter les bornes ou jeter dans un feu. • Ne pas réutiliser la pile si elle a subi un choc, des dégâts causés par l'eau ou d'autres dommages visibles.

C



BOSCH
Robert Bosch GmbH
72757 Reutlingen
Germany
www.bosch-ebike.com







⚠ WARNING To reduce the risk of injury, explosion, or fire, user must read instruction manual. Charge battery only with Bosch eBike chargers. • Do not crush, puncture, disassemble, short terminals, or dispose in fire. • Do not use battery once it has been impacted, sustained water damage or visibly damaged.

⚠ AVERTISSEMENT L'utilisateur doit lire le mode d'emploi pour réduire le risqué de blessure, d'explosion ou d'incendie. • Ne charger la pile qu'avec un chargeur Bosch eBike. • Ne pas écraser, perforer, démonter, court-circuiter les bornes ou jeter dans un feu. • Ne pas réutiliser la pile si elle a subi un choc, des dégâts causés par l'eau ou d'autres dommages visibles.



D

BOSCH
Robert Bosch GmbH
72757 Reutlingen
Germany

RECYCLE
R B R C
Li-ion
1.800.822.8837

WARNING To reduce the risk of injury, explosion, or fire, user must read instruction manual. Charge battery only with Bosch eBike chargers. • Do not crush, puncture, disassemble, short terminals, or dispose in fire. • Do not use battery once it has been impacted, sustained water damage or visibly damaged.

AVERTISSEMENT L'utilisateur doit lire le mode d'emploi pour réduire le risque de blessure, d'explosion ou d'incendie. • Ne charger la pile qu'avec un chargeur Bosch eBike. • Ne pas écraser, perfore, démonter, court-circuiter les bornes ou jeter dans un feu. • Ne pas réutiliser la pile si elle a subi un choc, des dégâts causés par l'eau ou d'autres dommages visibles.

E

BOSCH
Robert Bosch GmbH
72757 Reutlingen
Germany
www.bosch-ebike.com

Li-ion












BOSCH
Robert Bosch GmbH
D-72757 Reutlingen
www.bosch-ebike.com







BOSCH
Robert Bosch GmbH
D-72757 Reutlingen
www.bosch-ebike.com








R3A232 可充電之二次鋰電池組



WARNING To reduce the risk of injury, explosion, or fire, user must read instruction manual. • Do not crush, puncture, disassemble, short terminals, or dispose in fire. • Do not use battery once it has been impacted, sustained water damage or visibly damaged. • Charge battery only with Bosch eBike chargers.

AVERTISSEMENT L'utilisateur doit lire le mode d'emploi pour réduire le risque de blessure, explosion ou d'incendie. • Ne pas écraser, perfore, démonter, court-circuiter les bornes ou jeter dans un feu. • Ne pas réutiliser la pile si elle a subi un choc, des dégâts causés par l'eau ou d'autres dommages visibles. • Ne charger la pile qu'avec un chargeur Bosch eBike.



<p>警告</p> <p>使用前に取扱説明書を読むこと 分解、改造、端子の短絡、火気への投入禁止 故障が疑われる時は使用を停止すること</p>	<p>警告</p> <p>專用充電器を使用すること</p>		<p>경고, 警告</p> <p>주의사항1. 사용 전 반드시 사용 설명서를 읽어 주시기 바랍니다. 2. 비오늘날이나 가연성 폭발물 근처에서는 사용하지 마세요. 可充電之二次鋰電池組 依照說明書指示使用電池, 使用 專用充電器, 廢電池請回收</p>
--	--------------------------------------	--	---



A-C Consignes de sécurité pour batterie Power-Pack Frame

Remarque : Les étiquettes représentées peuvent différer des étiquettes présentes sur le produit.

D Consignes de sécurité pour batterie Power-Pack Rack

E Consignes de sécurité pour batterie Power-Tube

F Consignes de sécurité pour batterie Compact-Tube

- ▶ **Des étiquettes d'avertissement ont été placées sur le système eBike de Bosch pour votre sécurité. Lisez attentivement et observez les consignes figurant sur ces étiquettes. Au cas où une étiquette venait à se décoller ou à devenir illisible, adressez-vous à votre revendeur Bosch pour obtenir une étiquette de remplacement.** Les étiquettes de sécurité de rechange sont fournies gratuitement par Bosch.

Utilisation de la batterie Lithium-Ion

Consignes de sécurité pour les batteries de VAE Bosch



Lisez et comprenez tous les avertissements et toutes les instruc-

tions. Le fait de ne pas respecter les avertissements ci-dessous peut entraîner des blessures graves ou mortelles.

Conservez tous les avertissements et toutes les instructions pour pouvoir s'y reporter ultérieurement.

Le terme **batterie VAE** utilisé dans cette notice désigne toutes les batteries VAE Bosch d'origine de la génération **the smart system (le système intelligent)**.

Les termes **unité d'entraînement** et **Drive Unit** utilisés dans cette notice désignent toutes les Drive Units Bosch d'origine de la génération **the smart system (le système intelligent)**.

Le terme **chargeur** utilisé dans cette notice désigne tous les chargeurs Bosch d'origine de la génération **the smart system (le système intelligent)**.

- ▶ **Lisez et respectez les consignes de sécurité et les instructions de toutes les notices d'utilisation du système eBike, ainsi que la notice d'utilisation de votre eBike.**
- ▶ **Retirez la batterie du vélo électrique avant d'entreprendre des travaux (réparation, montage, entretien, interventions au niveau de la chaîne etc.) sur le vélo. Si le VAE est doté d'une batterie fixe, prenez des précautions qui s'imposent pour exclure toute activation du VAE.** Une activation involontaire du VAE risque de provoquer des blessures.
- ▶ **Vous ne devez pas retirer vous-même des batteries de VAE fixes. Confiez la dépose/repose des batteries de VAE fixes à un revendeur agréé.**

⚠ DANGER

- ▶ **Ne perforez pas ou n'écrasez pas la batterie. Ne soumettez pas la batterie à des chocs violents et ne la modifiez pas de quelque manière que ce soit.** N'utilisez plus la batterie si elle présente des dommages apparents. Elle risque alors en effet de prendre feu ou d'exploser et de causer des blessures graves voir mortelles.



Protégez la batterie contre la chaleur (températures > 140 °F), le feu et l'immersion dans l'eau. Risque d'explosion.

⚠ AVERTISSEMENT

- ▶ **Utilisez seulement des batteries Bosch agréées par le fabricant pour votre VAE et achetées auprès d'un vendeur crédible.** L'utilisation de batteries non agréées ou contrefaites risque causer des blessures graves voir mortelles.
- ▶ **N'ouvrez pas la batterie de VAE.** Risque de court-circuit. L'ouverture de la batterie de VAE entraîne l'annulation de la garantie.
- ▶ **Lorsque la batterie de VAE n'est pas utilisée, tenez-la à l'écart de tout objet métallique (trombones, pièces de monnaie, clés, clous, vis ou autres objets de petite taille) susceptible de créer un court-circuit entre les contacts.** La mise en court-circuit des contacts peut causer des brûlures ou un incendie. La garantie de Bosch ne joue pas pour les dommages consécutifs à la mise en court-circuit des contacts.
- ▶ **Évitez les contraintes mécaniques ou les forts échauffements.** Ils risqueraient d'endommager les cellules de la batterie ou de provoquer des fuites de matières inflammables.
- ▶ **Ne placez jamais le chargeur et la batterie de VAE à proximité de matériaux inflammables. Ne chargez les batteries de VAE qu'à l'état sec et**

dans un endroit résistant au feu. Il y a en effet risque d'incendie pendant la charge du fait de l'échauffement de la batterie.

- ▶ **Ne laissez pas la batterie de VAE sans surveillance pendant sa charge.**
- ▶ **En cas d'utilisation inappropriée, du liquide peut suintier de la batterie de VAE. Évitez tout contact avec ce liquide. En cas de contact accidentel, rincez abondamment à l'eau. Si le liquide entre en contact avec les yeux, consultez en plus un médecin dans les meilleurs délais.** Le liquide qui s'échappe de la batterie peut causer des irritations ou des brûlures.
- ▶ **Les batteries de VAE ne doivent subir aucun choc mécanique.** Elles risquent sinon d'être endommagées.
- ▶ **En cas d'endommagement ou d'utilisation non conforme de la batterie de VAE, celle-ci peut émettre des vapeurs. Ventilez le local et consultez un médecin en cas de malaise.** Les vapeurs peuvent irriter les voies respiratoires.
- ▶ **Ne rechargez pas et n'utilisez pas votre eBike dans une zone présentant une atmosphère potentiellement explosive, par exemple dans une station-service ou dans des zones dans lesquelles l'air contient des produits chimiques ou des particules (telles que des grains, de la poussière ou des poudres métalliques).** Respectez tous les panneaux et toutes les instructions.
- ▶ **Ne rechargez la batterie de VAE qu'avec un chargeur d'origine Bosch de la génération the smart system (le système intelligent).** En cas d'utilisation d'un chargeur d'une autre marque, un risque d'incendie ne peut pas être exclu.
- ▶ **N'utilisez la batterie de VAE que sur des vélos électriques de la génération the smart system (le système intelligent).** Tout risque de surcharge dangereuse sera alors exclu.
- ▶ **N'utilisez que des batteries d'origine Bosch de la génération the smart system (le système intelligent) autorisées par le fabricant de votre vélo**

électrique. L'utilisation de toute autre batterie de VAE peut entraîner des blessures et des risques d'incendie. Bosch décline toute responsabilité et exclut tout droit à garantie en cas d'utilisation d'autres batteries de VAE.

- ▶ **Gardez la batterie de VAE hors de portée des enfants.**

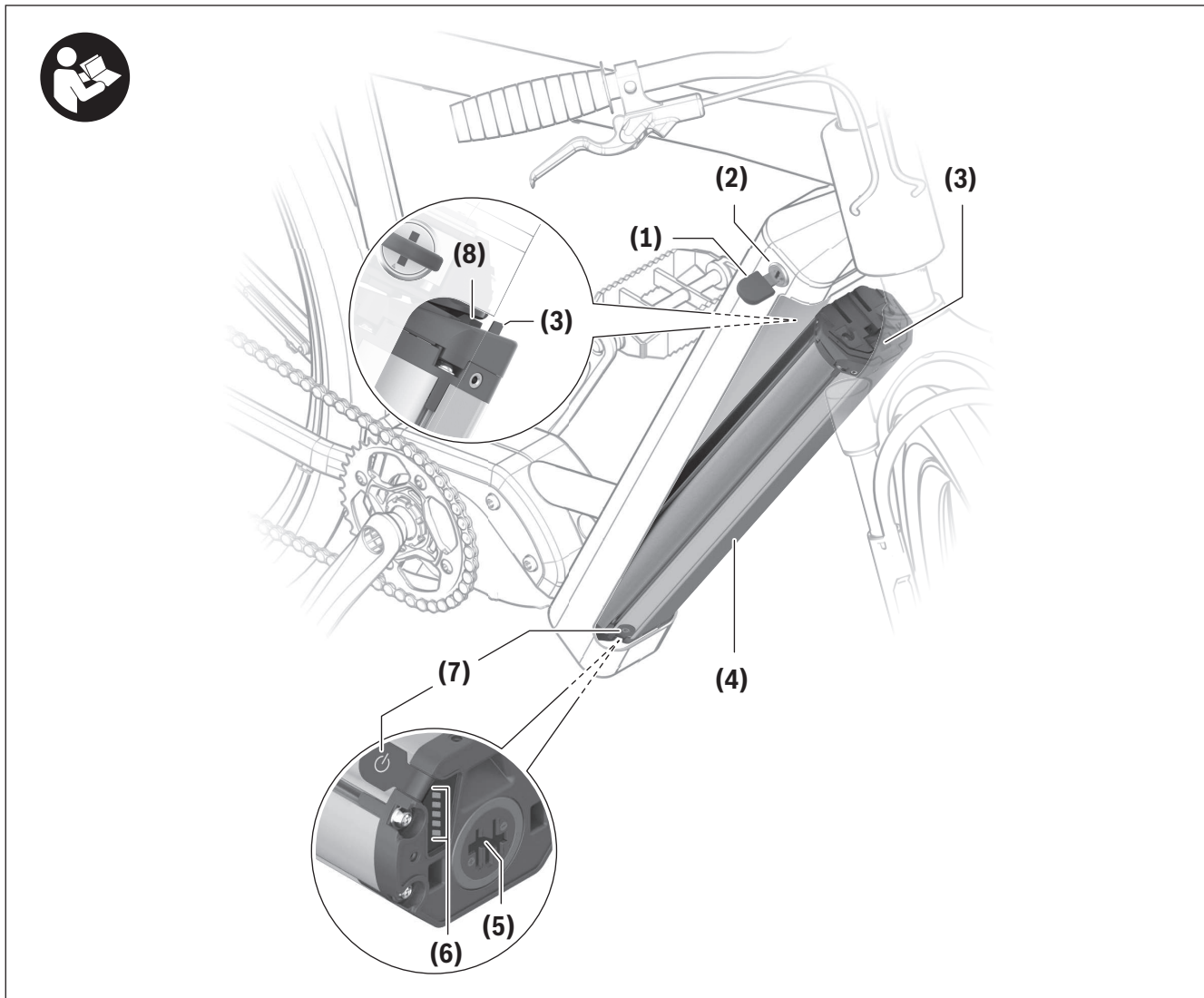
Nous attachons une grande importance à la sécurité de nos clients et produits. Nos batteries pour VAE sont conçues et fabriquées conformément à l'état actuel de la technique. Ils respectent et même dépassent les normes de sécurité en vigueur. À l'état chargé, les batteries Lithium-Ion ont un contenu énergétique élevé. Lorsqu'elles sont défectueuses (souvent pas reconnaissable de l'extérieur), les batteries Lithium-Ion risquent dans certaines conditions défavorables de s'enflammer.

Remarque relative à la protection des données

Lors du raccordement du VAE au **Bosch Diagnostic-Tool 3** ou du remplacement de composants du système eBike, des informations techniques sur votre VAE (p. ex. fabricant, modèle, ID du vélo, données de configuration) et sur son utilisation (p. ex. durée de roulage totale, consommation d'énergie, température) sont transmises à Bosch eBike Systems (Robert Bosch GmbH) pour pouvoir traiter votre demande (demande de service notamment) et à des fins d'amélioration du produit. Pour en savoir plus sur le traitement des données, rendez-vous sur www.bosch-ebike.com/privacy-full.

Description des prestations et du produit

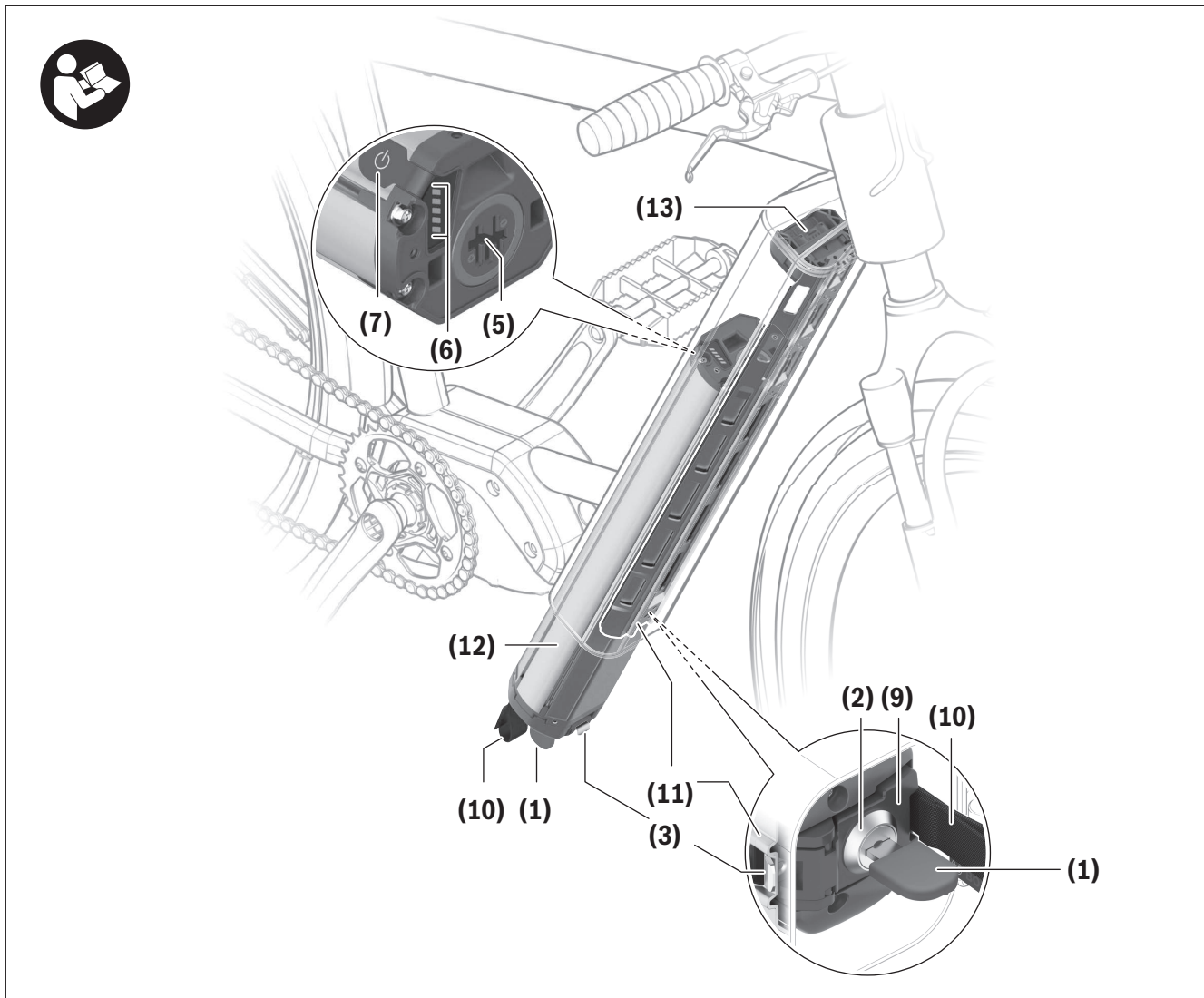
Caractéristiques du produit PowerTube



Toutes les représentations des éléments du vélo, à l'exception des éléments de l'eBike, sont schématiques et peuvent être différentes de votre eBike.

- (1)** Clé de serrure de la batterie
- (2)** Serrure de batterie
- (3)** Crochet de sécurité sur batterie PowerTube

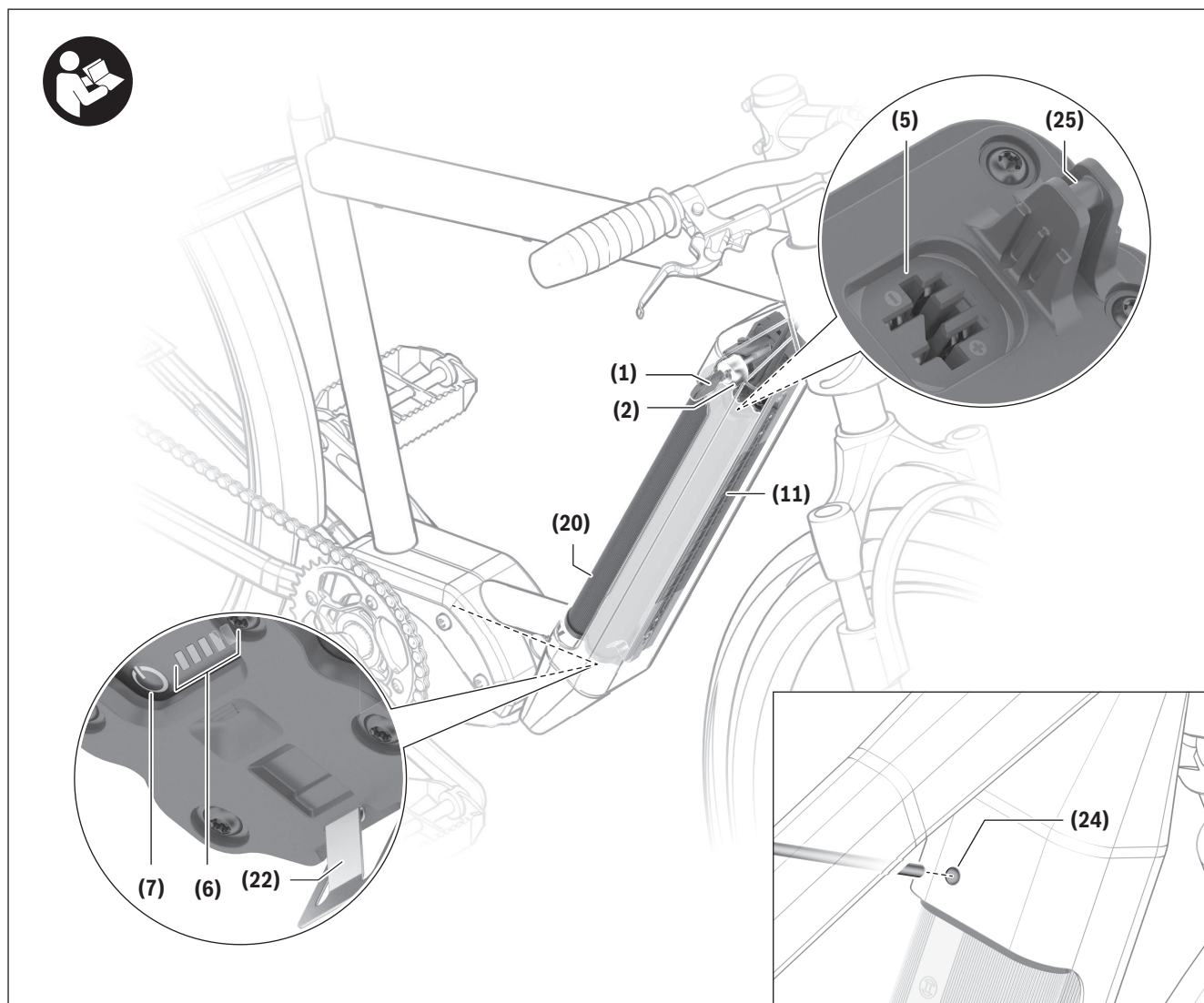
- (4)** Batterie PowerTube (pivotante)
- (5)** Prise de charge
- (6)** Indicateur de fonctionnement et d'état de charge
- (7)** Touche Marche/Arrêt
- (8)** Dispositif de retenue de la batterie PowerTube



Toutes les représentations des éléments du vélo, à l'exception des éléments de l'eBike, sont schématiques et peuvent être différentes de votre eBike.

- (1)** Clé de serrure de la batterie
- (2)** Serrure de batterie
- (3)** Crochet de sécurité sur batterie PowerTube
- (5)** Prise de charge
- (6)** Indicateur de fonctionnement et d'état de charge
- (7)** Touche Marche/Arrêt
- (9)** Verrouillage
- (10)** Boucle de traction
- (11)** Glissière axiale
- (12)** Batterie PowerTube (axiale)
- (13)** Fixation supérieure pour batterie PowerTube axiale

Caractéristiques du produit CompactTube



Toutes les représentations des éléments du vélo, à l'exception des éléments de l'eBike, sont schématiques et peuvent être différentes de votre eBike.

(1) Clé de serrure de la batterie

(2) Serrure de batterie

(5) Prise de charge

(6) Indicateur de fonctionnement et d'état de charge

(7) Touche Marche/Arrêt

(9) Verrouillage

(11) Glissière axiale

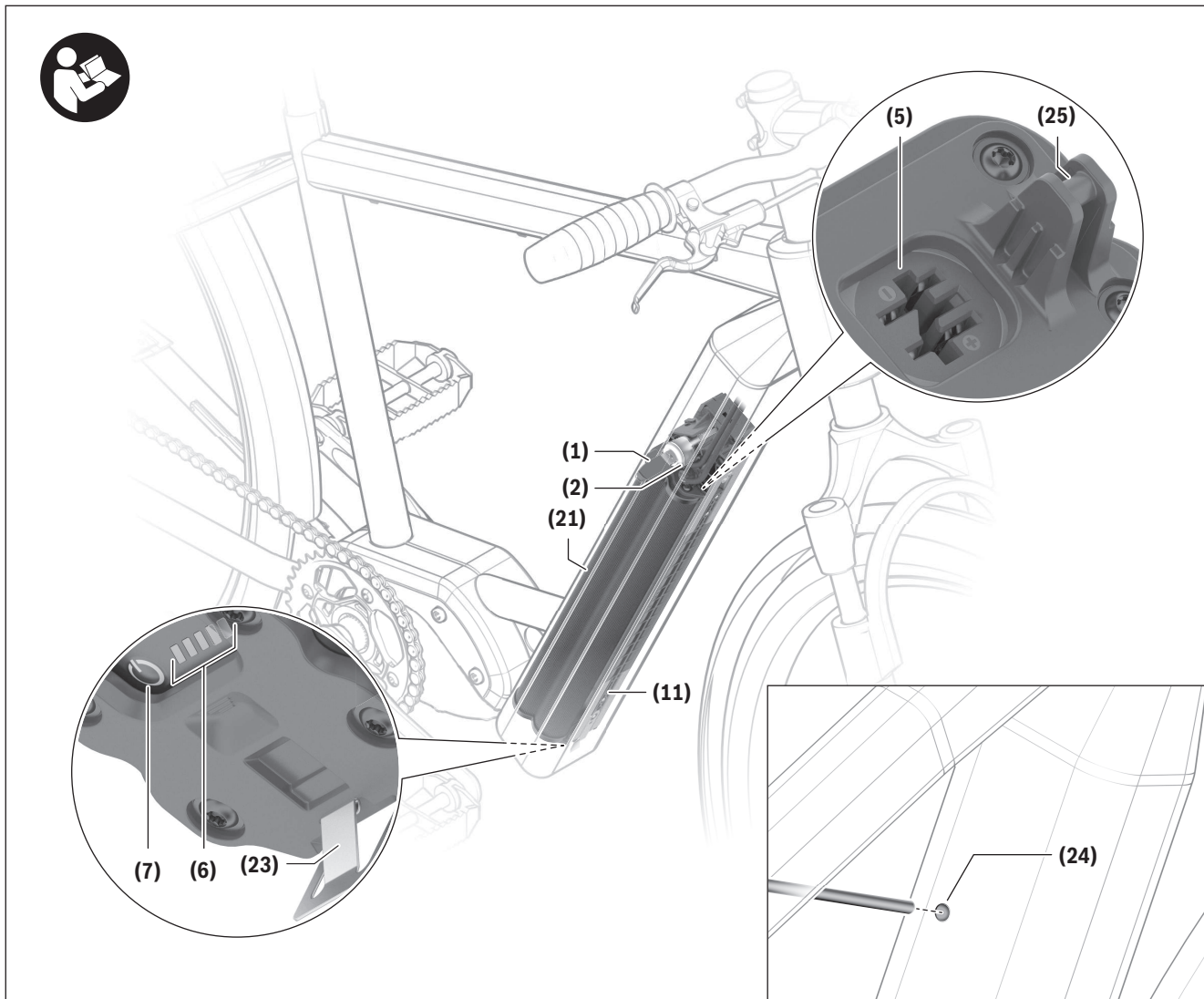
(20) Batterie CompactTube (pivotante)

(22) Mécanisme de retenue batterie CompactTube (pivotante)

(24) Élément de déverrouillage CompactTube^{a)}

(25) Élément de maintien CompactTube

a) Des différences peuvent exister au niveau de la réalisation



Toutes les représentations des éléments du vélo, à l'exception des éléments de l'eBike, sont schématiques et peuvent être différentes de votre eBike.

- (1)** Clé de serrure de la batterie
- (2)** Serrure de batterie
- (5)** Prise de charge
- (6)** Indicateur de fonctionnement et d'état de charge
- (7)** Touche Marche/Arrêt
- (9)** Verrouillage
- (11)** Glissière axiale
- (21)** Batterie CompactTube (axiale)

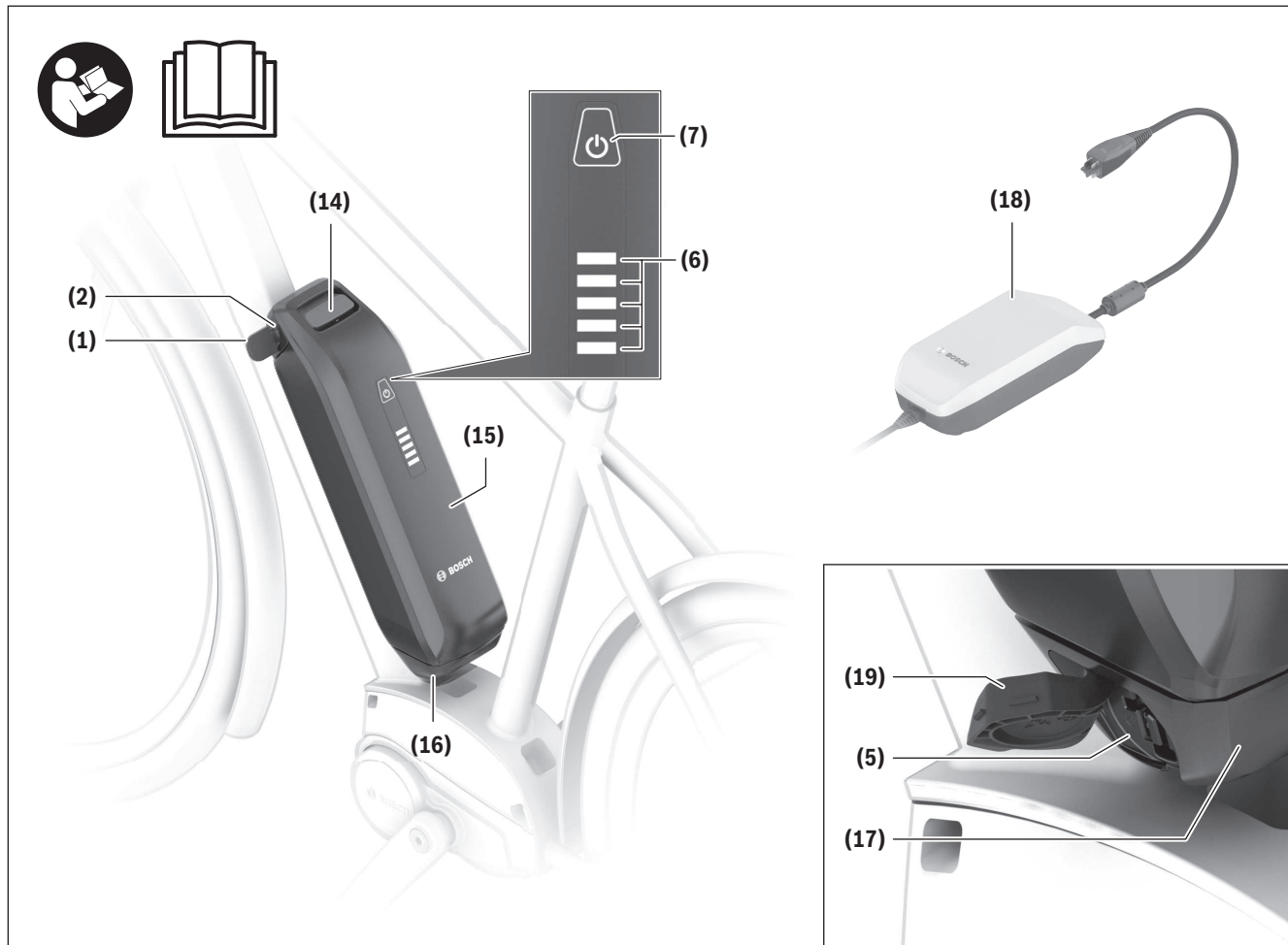
(23) Mécanisme de retenue batterie CompactTube (axiale)

(24) Élément de déverrouillage CompactTube^{a)}

(25) Élément de maintien CompactTube

a) Des différences peuvent exister au niveau de la réalisation

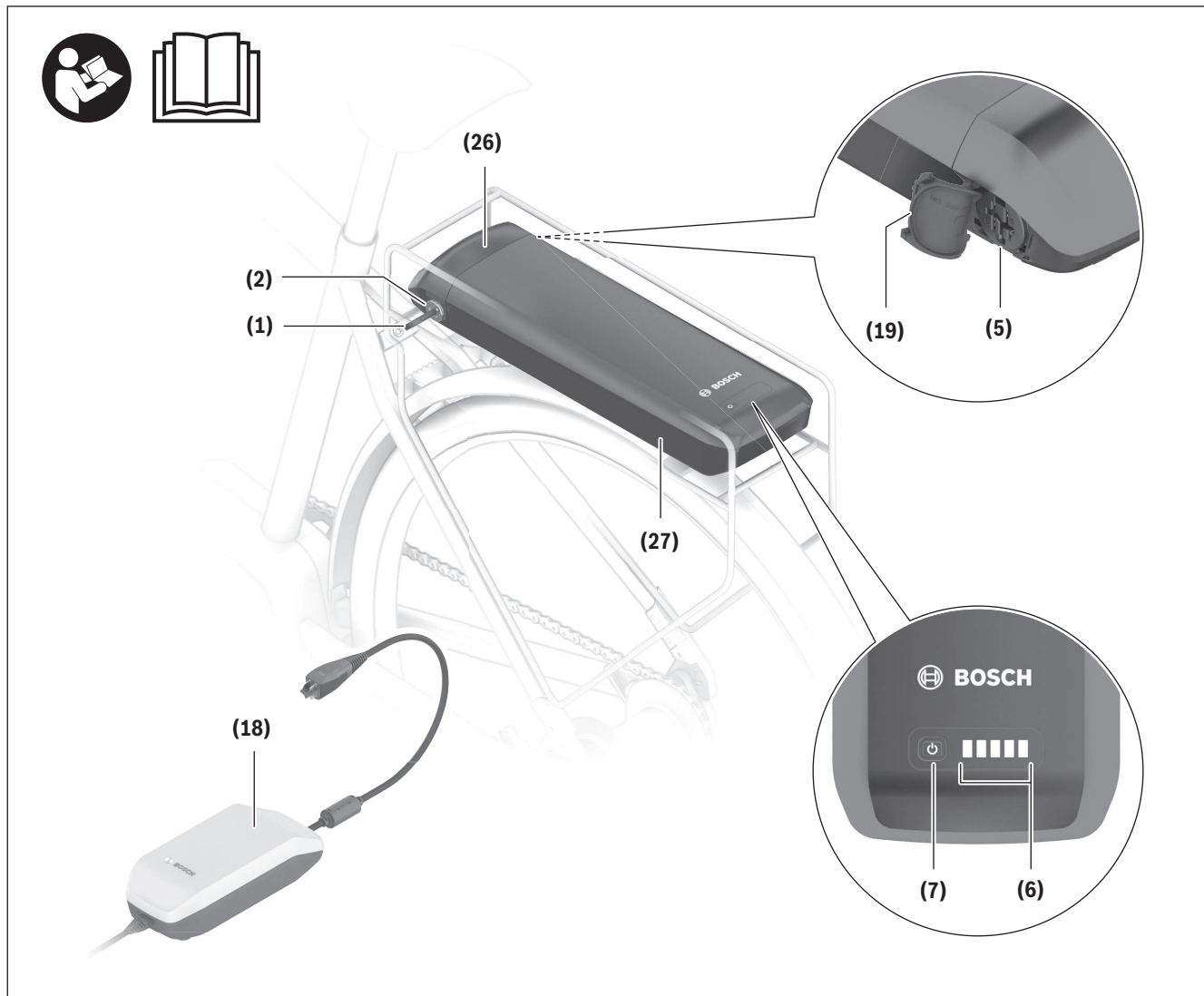
Caractéristiques du produit PowerPackFrame



Toutes les représentations des éléments du vélo, à l'exception des éléments de l'eBike, sont schématiques et peuvent être différentes de votre eBike.

- (1)** Clé de serrure de la batterie
- (2)** Serrure de batterie
- (5)** Prise de charge
- (6)** Indicateur de fonctionnement et d'état de charge
- (7)** Touche Marche/Arrêt
- (14)** Fixation supérieure pour batterie PowerPack
- (15)** Batterie PowerPack
- (16)** Fixation inférieure pour batterie PowerPack (socle sans possibilité de charge)
- (17)** Fixation inférieure pour batterie PowerPack (socle avec possibilité de charge)
- (18)** Chargeur
- (19)** Obturateur de la prise de charge

Caractéristiques du produit PowerPack Rack



Toutes les représentations des éléments du vélo, à l'exception des éléments de l'eBike, sont schématiques et peuvent être différentes de votre eBike.

(1) Clé de serrure de la batterie

(2) Serrure de batterie

(5) Prise de charge

(6) Indicateur de fonctionnement et d'état de charge

(7) Touche Marche/Arrêt

(18) Chargeur

(19) Cache de la prise de charge

(26) Fixation de batterie de porte-bagages

(27) Batterie de porte-bagages

Utilisation conforme

Les batteries de VAE Bosch de la génération **the smart system (le système intelligent)** sont uniquement conçues pour l'alimentation électrique de votre Drive Unit de la génération **the smart system (le système intelligent)** ; toute autre utilisation est interdite.

Caractéristiques techniques

Batterie Lithium-Ion		CompactTube 400	PowerTube 500	PowerTube 625	PowerTube 750
Code produit	horizontale	BBP3245 BBP3247	BBP3755	BBP3765	BBP3775
Code produit	verticale	BBP3246 BBP3247	BBP3756	BBP3766	BBP3776
Tension nominale	V=	36	36	36	36
Capacité nominale	Ah	11	13,4	16,7	20,1
Énergie	Wh	400 ^{A)}	500 ^{A)}	625 ^{A)}	750 ^{A)}
Températures de fonctionnement	°F	23 ... 104	23 ... 104	23 ... 104	23 ... 104
Températures de stockage	°F	50 ... 104	50 ... 104	50 ... 104	50 ... 104
Plage admissible de températures de charge	°F	32 ... 104	32 ... 104	32 ... 104	32 ... 104
Poids (approx.)	lbs	4,4	6,6	7,9	9,6
Indice de protection		IP55	IP55	IP55	IP55

A) La capacité énergétique indiquée pour la batterie est une approximation. Du fait des tolérances de fabrication, la capacité mesurée peut différer de la capacité indiquée.

Français – 16

Batterie Lithium-Ion		PowerPack Frame 400	PowerPack Frame 545	PowerPack Frame 725	PowerPack Frame 800
Code produit		BBP3545	BBP3556	BBP3575	BBP3585
Tension nominale	V=	36	36	36	36
Capacité nominale	Ah	11,1	14,4	19,2	22,2
Énergie	Wh	400 ^{A)}	545 ^{A)}	725 ^{A)}	800 ^{A)}
Températures de fonctionnement	°F	23 ... 104	23 ... 104	23 ... 104	23 ... 104
Températures de stockage	°F	50 ... 104	50 ... 104	50 ... 104	50 ... 104
Plage admissible de températures de charge	°F	32 ... 104	32 ... 104	32 ... 104	32 ... 104
Poids (approx.)	lbs	4,8	6,6	8,8	8,6
Indice de protection		IP55	IP55	IP55	IP55

A) La capacité énergétique indiquée pour la batterie est une approximation. Du fait des tolérances de fabrication, la capacité mesurée peut différer de la capacité indiquée.

Batterie Lithium-Ion		PowerPack Rack 400	PowerPack Rack 500
Code produit		BBP3345	BBP3355
Tension nominale	V=	36	36
Capacité nominale	Ah	10,8	13,6
Énergie	Wh	400 ^{A)}	500 ^{A)}
Températures de fonctionnement	°F	23 ... 104	23 ... 104
Températures de stockage	°F	50 ... 104	50 ... 104
Plage admissible de températures de charge	°F	32 ... 104	32 ... 104
Poids (approx.)	lbs	5,9	6,1
Indice de protection		IP55	IP55

A) La capacité énergétique indiquée pour la batterie est une approximation. Du fait des tolérances de fabrication, la capacité mesurée peut différer de la capacité indiquée.

Montage

- **Ne posez la batterie de VAE que sur des surfaces propres.** Évitez tout encrassement de la prise de charge et des contacts électriques, par ex. par du sable ou de la terre.



Contrôle de la batterie de VAE avant sa première utilisation

Contrôlez la batterie de VAE avant de la recharger ou de l'utiliser la première fois sur votre vélo électrique. Appuyez pour cela sur la touche Marche/Arrêt (7) pour allumer la batterie de VAE. Si aucune des LED de l'indicateur d'état de charge (6) ne s'allume, il se peut que la batterie de VAE soit endommagée.

Si au moins une, mais pas la totalité, des LED de l'indicateur d'état de charge (6) s'allume, alors rechargez la batterie de VAE à fond avant la première utilisation.

- **Lorsqu'une batterie de VAE est endommagée, ne la rechargez plus et ne l'utilisez plus.** Adressez-vous à un revendeur de VAE agréé.

Recharge de la batterie de VAE

- **Les batteries de VAE Bosch de la génération the smart system (le système intelligent) doivent uniquement être rechargées au moyen d'un chargeur Bosch d'origine de la génération the smart system (le système intelligent).**

Remarque : La batterie de VAE est fournie partiellement chargée. Pour disposer de la pleine puissance, rechargez-la complètement avec le chargeur avant sa première utilisation.

Pour charger la batterie de VAE, lisez et observez les indications de la notice d'utilisation du chargeur.

La batterie de VAE peut être rechargée quel que soit son niveau de charge. Le fait d'interrompre le processus de charge n'endommage pas la batterie de VAE.

La batterie de VAE est dotée d'une surveillance de température interdisant toute recharge en dehors de la plage de températures allant de **32 °F à 104 °F**.

Si la batterie de VAE se trouve à l'extérieur de la plage de températures de charge admissible, trois des LED de l'indicateur d'état de charge (6) clignotent. Débranchez la batterie du chargeur et attendez qu'elle revienne dans la plage de températures admissibles.

ATTENTION

- **Ne connectez pas la batterie au chargeur avant qu'elle ait atteint la température de charge admissible.**

Indicateur d'état de charge (visible après retrait de la batterie)

Les cinq LED de l'indicateur d'état de charge (6) indiquent le niveau de charge de la batterie de VAE, quand celle-ci est allumée.

Chaque LED correspond à environ 20 % de niveau de charge. Quand la batterie de VAE est complètement chargée, les cinq LED sont allumées.

Quand la batterie de VAE est allumée, son niveau de charge s'affiche en outre sur l'écran de l'ordinateur de bord. Lisez et observez pour cela la notice d'utilisation de la Drive Unit et de l'ordinateur de bord.

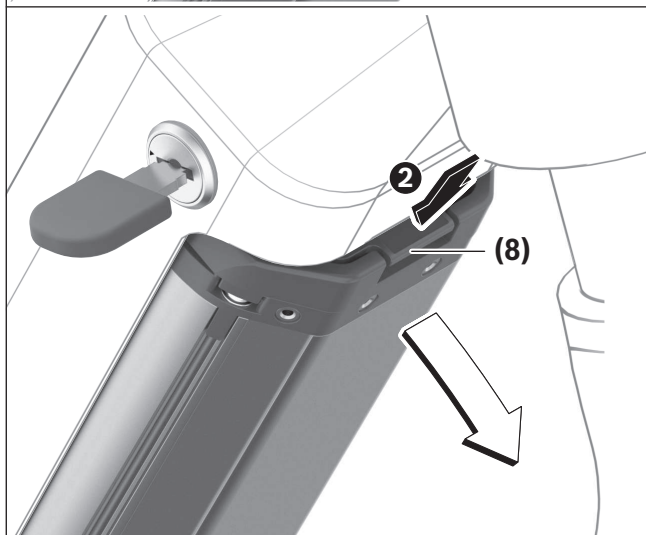
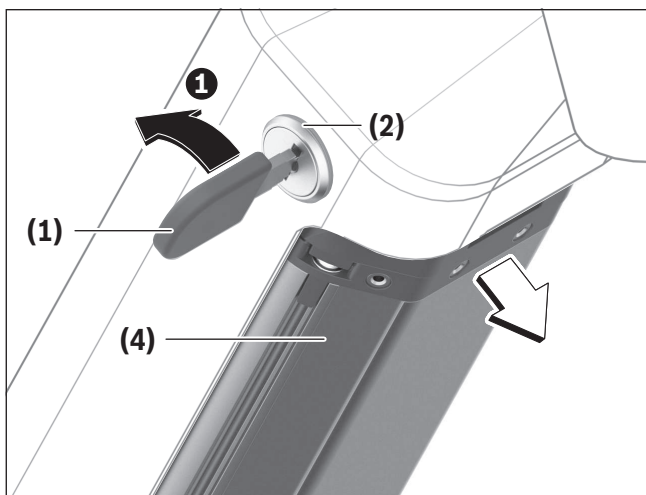
Lorsque la capacité de la batterie de VAE est inférieure à 10 %, la dernière LED restante clignote.

Au terme de la charge, déconnectez la batterie du chargeur et le chargeur du secteur.

Mise en place et retrait de la batterie de VAE

- **Éteignez toujours le VAE et la batterie VAE avant d'insérer la batterie dans sa fixation ou de l'extraire.**
- **Après avoir inséré la batterie de VAE, bougez-la dans toutes les directions pour s'assurer qu'elle est correctement fixée.**

Retrait de la batterie PowerTube (pivotante)



❶ Pour retirer la batterie PowerTube (4), ouvrez la serrure (2) avec la clé (1). La batterie se déverrouille et tombe dans le mécanisme de retenue (8).

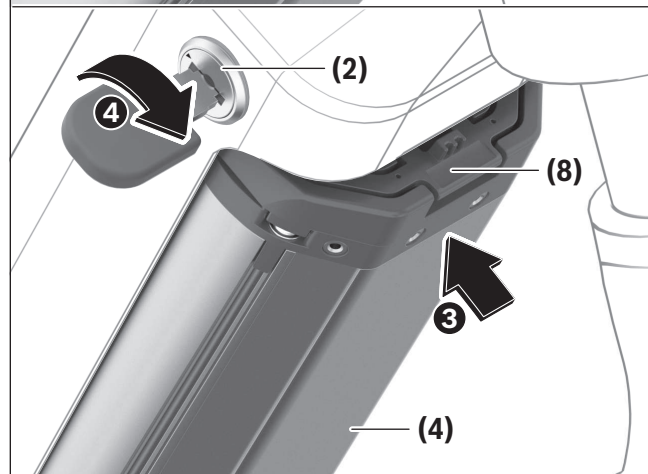
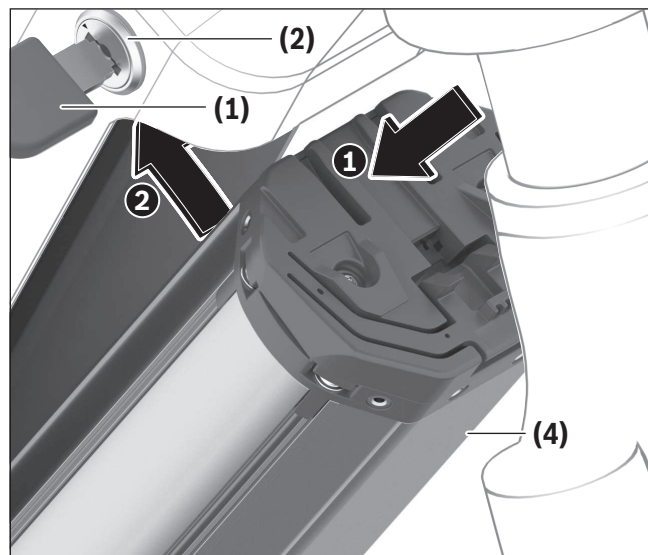
Remarque : Prenez soin de retenir la batterie de VAE avec une main lors de son retrait.

❷ Maintenez la batterie fermement avec une main et appuyez par le haut sur le mécanisme de retenue (8). La batterie se déverrouille complètement et tombe dans votre main. Dégagez ensuite la batterie du cadre.

Remarque : En raison de différences possibles au niveau de la réalisation, il se peut que la marche à

suivre pour la mise en place et le retrait de la batterie diffère quelque peu. Lisez la notice d'utilisation de votre vélo électrique pour en savoir plus.

Mise en place de la batterie PowerTube (pivotante)



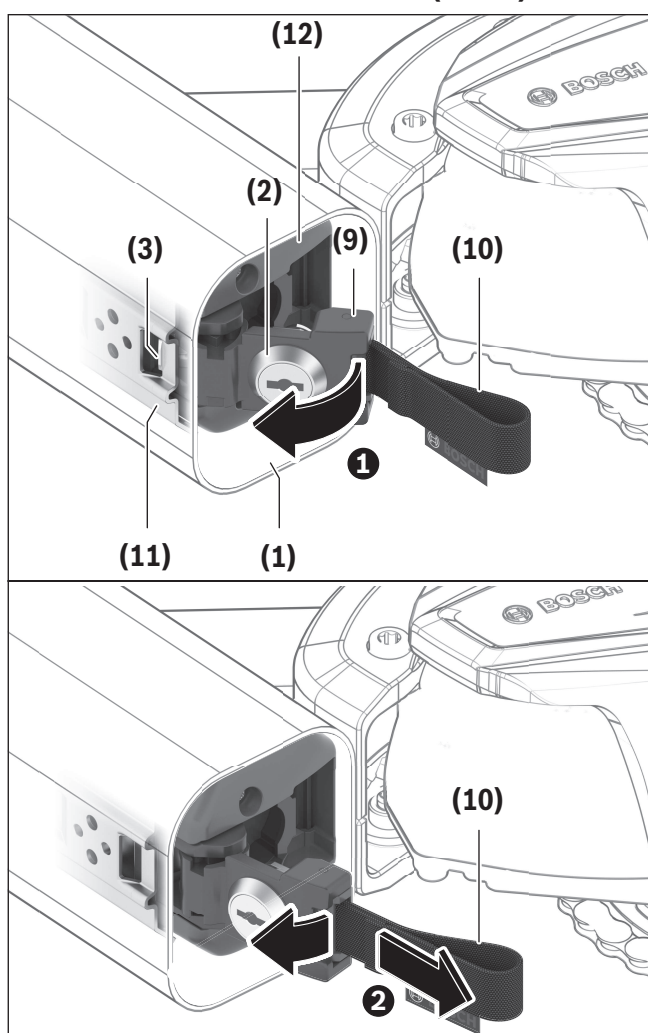
Pour pouvoir mettre en place la batterie, la clé (1) doit se trouver dans la serrure (2) et la serrure doit être ouverte.

❶ Pour mettre en place la batterie PowerTube (4), positionnez-la, côté contacts électriques, dans la fixation inférieure du cadre.

❷ Basculez la batterie vers le haut jusqu'à ce qu'elle soit maintenue en place par le mécanisme de retenue (8).

- ③ Maintenez la serrure ouverte avec la clé et poussez la batterie vers le haut jusqu'à ce qu'elle s'enclenche de manière audible.
- ④ Fermez ensuite toujours la serrure (2) pour que la batterie ne puisse pas s'extraire de sa fixation. Après avoir fermé la serrure, retirez toujours la clé (1) de la serrure (2). La clé ne risque ainsi pas de tomber et la batterie de VAE ne peut pas être retirée par une tierce personne quand le vélo électrique est garé.

Retrait de la batterie PowerTube (axiale)

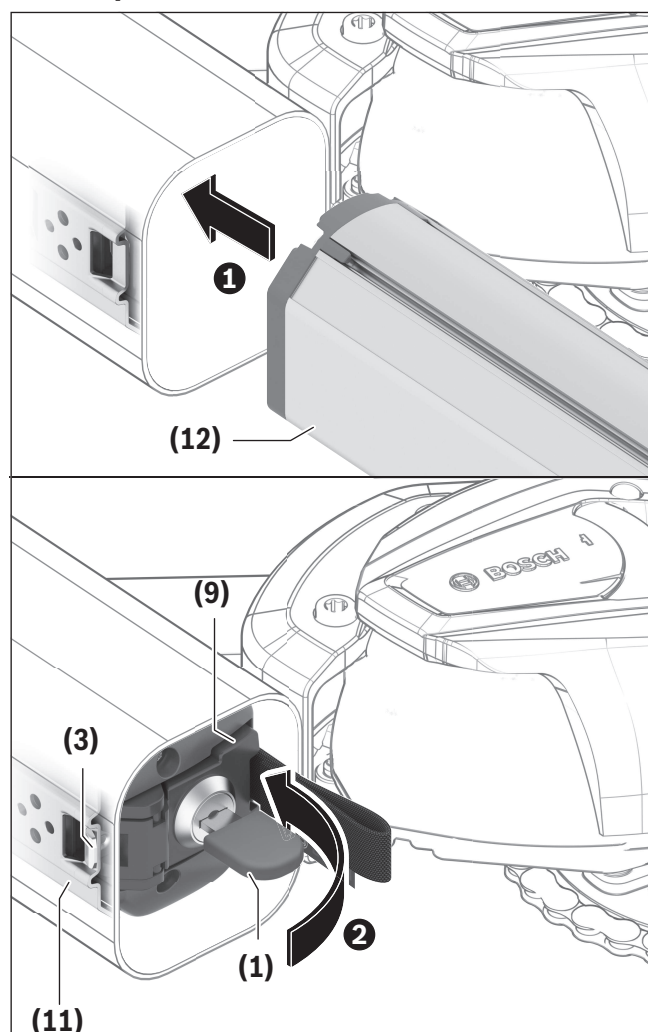


- ① Pour retirer la batterie PowerTube (12), ouvrez la serrure (2) avec la clé (1), retirez la clé (1) et rabattez le verrouillage (9) vers le côté.

- ② Sortez la batterie (12) du cadre en tirant sur la boucle de traction (10) et retenez-la pour ne pas qu'elle tombe.

Remarque : En raison de **différences** possibles au niveau de la réalisation, il se peut que la marche à suivre pour la mise en place et le retrait de la batterie diffère quelque peu. Lisez la notice d'utilisation de votre vélo électrique pour en savoir plus.

Mise en place de la batterie PowerTube (axiale)



Pour que la batterie puisse être insérée, il faut que le verrouillage (9) soit rabattu vers le côté. La clé (1) ne doit à ce moment-là pas se trouver dans la serrure (2).

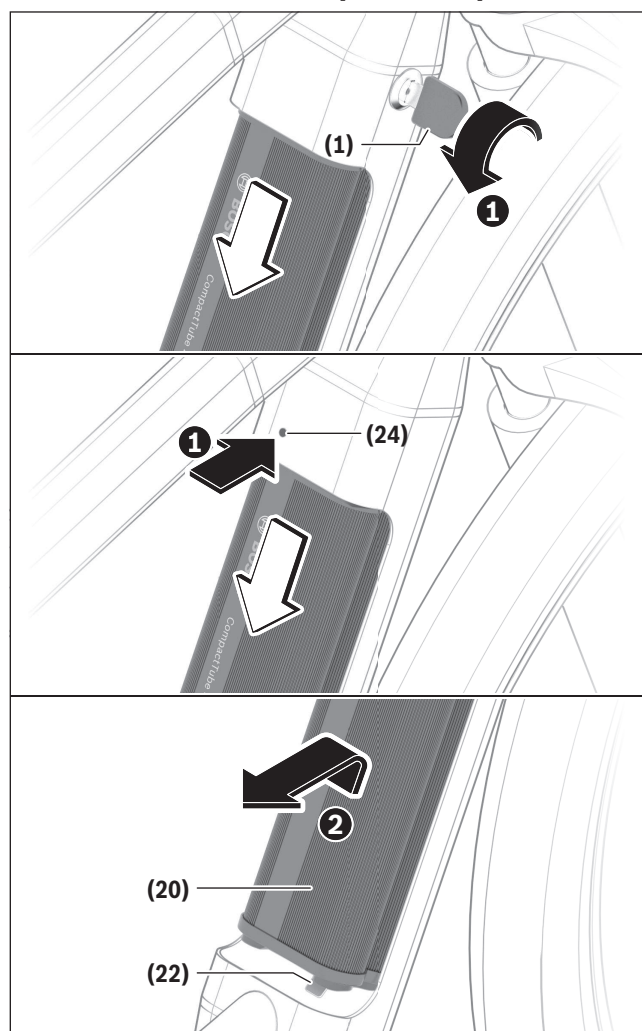
- ❶ Pour mettre en place la batterie PowerTube, insérez-la dans le cadre avec la prise de charge (5) vers le haut jusqu'à ce qu'elle s'enclenche. Vérifiez que la batterie est tournée dans le bon sens.
- ❷ Fermez le verrouillage (9), insérez la clé (1) dans la serrure (2) et verrouillez la batterie. Veillez à ce que le crochet de sécurité (3) soit enclipsé au niveau de l'ouverture de la glissière (11). La batterie risque sinon de tomber pendant la conduite.

Après avoir fermé la serrure, retirez toujours la clé (1) de la serrure (2). La clé ne risque ainsi pas de tomber et la batterie de VAE ne peut pas être retirée par une tierce personne quand le vélo électrique est garé.

Batterie CompactTube (montage fixe)

Les batteries de VAE logées de façon fixe dans le cadre ne doivent être retirées qu'en présence d'un dysfonctionnement. Adressez-vous alors à un revendeur de VAE agréé.

Retrait de la batterie CompactTube (pivotante)



- ❶ Pour retirer la batterie CompactTube (20), ouvrez la serrure (2) avec la clé (1) ou appuyez sur l'élément de déverrouillage (24) avec un objet pointu approprié (p. ex. une clé six pans). La batterie se déverrouille et tombe dans le mécanisme de retenue (22).

Remarque : Prenez soin de retenir la batterie de VAE avec une main lors de son retrait.

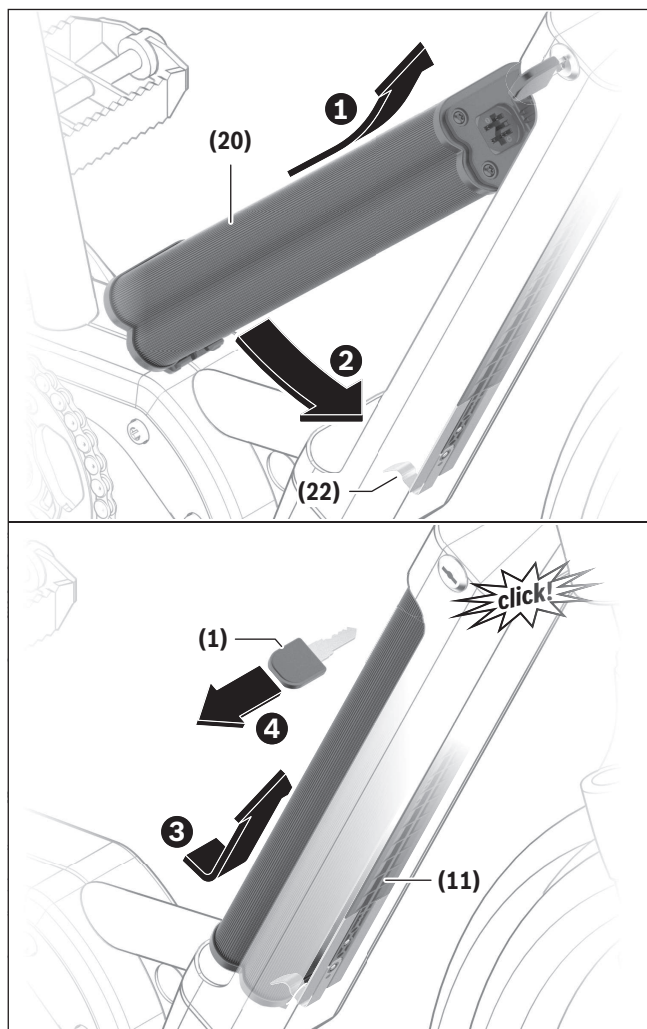
- ❷ Retenez la batterie avec une main, poussez-la légèrement en direction de la serrure (2) et dégagez-la du mécanisme de retenue (22).

Remarque : L'aspect de l'élément de déverrouillage peut varier d'un fabricant à un autre et il peut donc

différer de la représentation sur le graphique. Lisez la notice d'utilisation de votre vélo électrique pour en savoir plus.

Remarque : En raison de **différences** possibles au niveau de la réalisation, il se peut que la marche à suivre pour la mise en place et le retrait de la batterie diffère quelque peu. Lisez la notice d'utilisation de votre vélo électrique pour en savoir plus.

Mise en place de la batterie CompactTube (pivotante)



- 1 Pour mettre en place la batterie CompactTube (20), positionnez-la, côté contacts électriques, dans la fixation supérieure du cadre.

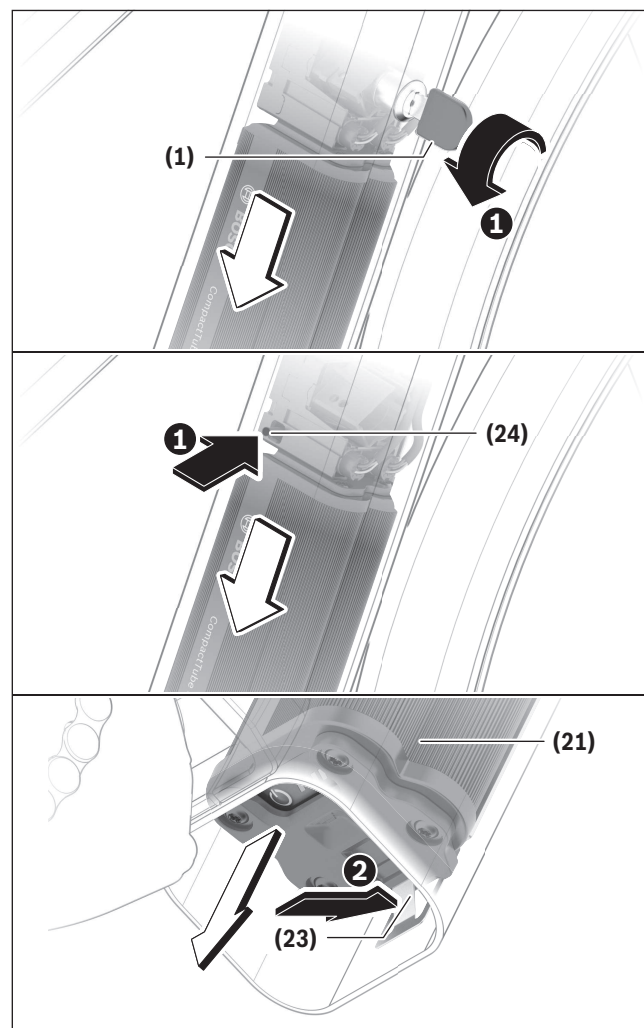
- 2 Rabattez la batterie vers le cadre du vélo jusqu'à ce qu'elle soit maintenue en place par le mécanisme de retenue (22).

- 3 Poussez vers le haut la batterie dans la glissière (11) en direction de la serrure (2) jusqu'à ce qu'elle s'enclenche de manière audible.

- 4 Retirez ensuite la clé (1) de la serrure (2).

Après avoir fermé la serrure, retirez toujours la clé (1) de la serrure (2). La clé ne risque ainsi pas de tomber et la batterie de VAE ne peut pas être retirée par une tierce personne quand le vélo électrique est garé.

Retrait de la batterie CompactTube (axiale)



- 1 Pour retirer la batterie CompactTube (21), ouvrez la serrure (2) avec la clé (1) ou appuyez sur

l'élément de déverrouillage (24) avec un objet pointu approprié (p. ex. une clé six pans). La batterie se déverrouille et tombe dans le mécanisme de retenue (23).

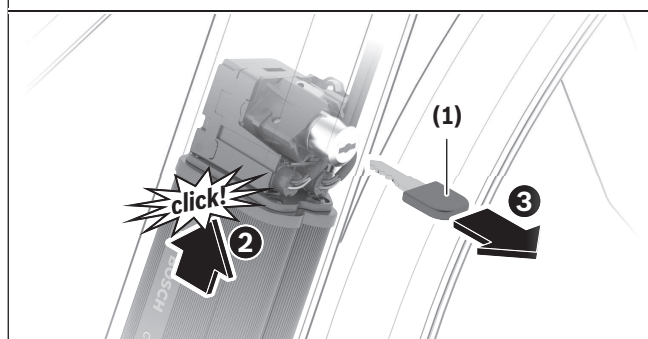
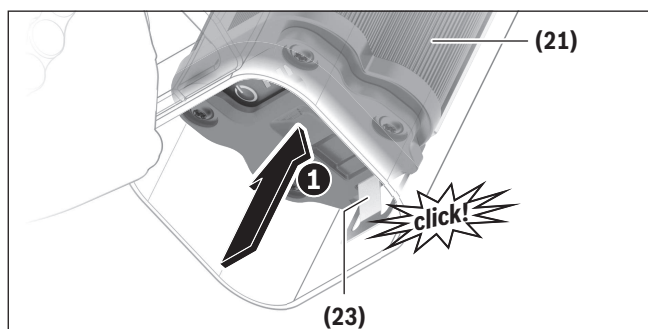
Remarque : Prenez soin de retenir la batterie de VAE avec une main lors de son retrait.

- ② Appuyez sur le mécanisme de retenue (23). Retenez la batterie si elle glisse hors du cadre du vélo. Retirez ensuite la batterie.

Remarque : L'aspect de l'élément de déverrouillage peut varier d'un fabricant à un autre et il peut donc différer de la représentation sur le graphique. Lisez la notice d'utilisation de votre vélo électrique pour en savoir plus.

Remarque : En raison de différences possibles au niveau de la réalisation, il se peut que la marche à suivre pour la mise en place et le retrait de la batterie diffère quelque peu. Lisez la notice d'utilisation de votre vélo électrique pour en savoir plus.

Mise en place de la batterie CompactTube (axiale)



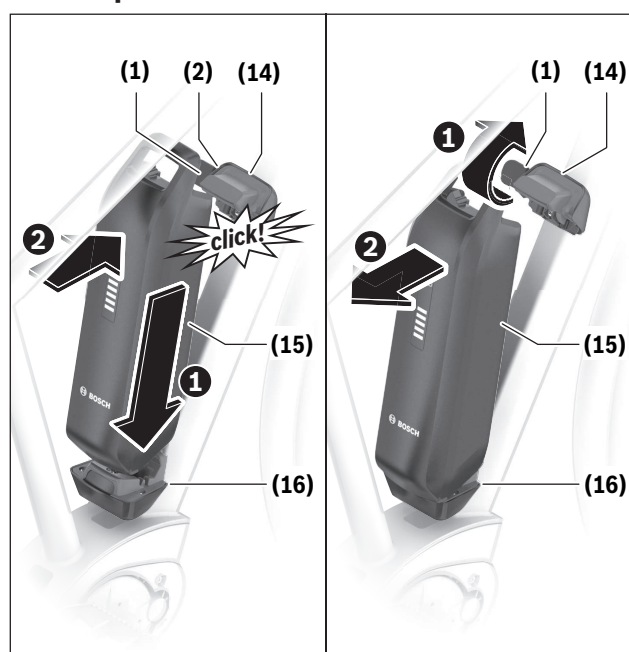
- ① Pour mettre en place la batterie Compact-Tube (21), insérez-la vers le haut dans le cadre avec la prise de charge (5) vers le haut jusqu'à ce qu'elle s'enclenche de manière audible dans

le mécanisme de retenue (23). Vérifiez que la batterie est tournée dans le bon sens.

- ② Poussez la batterie en direction de la serrure (2) jusqu'à ce qu'elle s'enclenche de manière audible dans la serrure (2).
- ③ Retirez ensuite la clé (1) de la serrure (2).

Après avoir fermé la serrure, retirez toujours la clé (1) de la serrure (2). La clé ne risque ainsi pas de tomber et la batterie de VAE ne peut pas être retirée par une tierce personne quand le vélo électrique est garé.

Mise en place et retrait de la batterie PowerPack

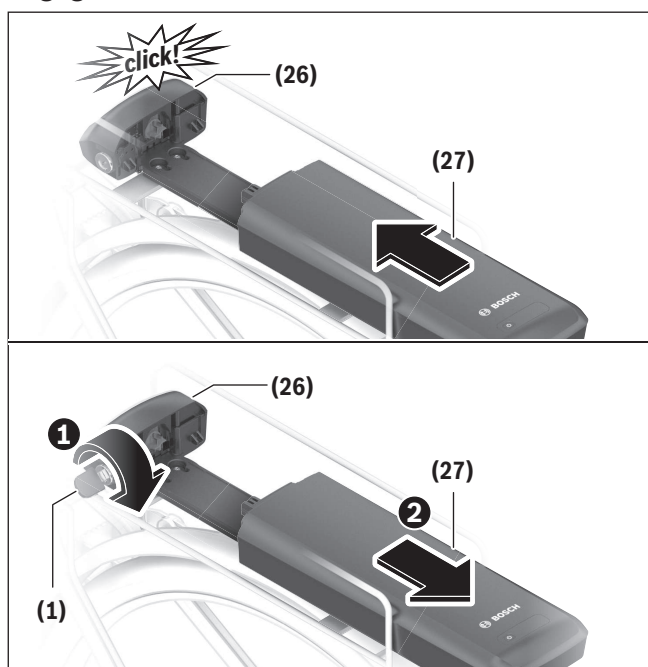


Pour pouvoir insérer la batterie, la clé (1) ne doit pas se trouver dans la serrure (2).

- ① Pour **mettre en place** la batterie Power-Pack (15), placez-la, côté contacts électriques, dans la fixation inférieure (16) du vélo.
- ② Basculez-la ensuite vers l'arrière jusqu'à ce qu'elle s'enclenche audible dans la fixation supérieure (14).
- ① Pour **retirer** la batterie PowerPack (15), éteignez-la puis ouvrez la serrure (2) avec la clé (1).

- ② Délogez la batterie de la fixation supérieure (14) en la basculant et dégagez-la de la fixation inférieure (16).

Mise en place et retrait de la batterie de porte-bagages



Pour que la batterie puisse être insérée, il faut que la serrure (2) soit fermée. La clé (1) ne doit pas se trouver dans la serrure (2).

Pour **mettre en place** la batterie (27), glissez-la, côté contacts, dans la fixation (26) jusqu'à ce qu'elle s'enclenche de manière audible.

Pour **extraire** la batterie (27), éteignez-la puis ouvrez la serrure avec la clé (1) ①.

Délogez la batterie de la fixation (26) ②.

Fonctionnement

Mise en marche

► **N'utilisez que des batteries d'origine Bosch de la génération the smart system (le système intelligent) autorisées par le fabricant de votre vélo électrique.** L'utilisation de toute autre batterie de VAE peut entraîner des blessures et des risques d'incendie. Bosch décline toute responsabilité et exclut tout droit à garantie en cas d'utilisation d'autres batteries de VAE.

Mise en marche/arrêt

L'une des façons d'activer le VAE consiste à allumer la batterie. Lisez et observez pour cela la notice d'utilisation de la Drive Unit et de l'ordinateur de bord.

Avant d'allumer la batterie de VAE ou d'activer le vélo électrique, vérifiez si la serrure **(2)** est fermée à clé.

Pour **allumer** la batterie de VAE, appuyez sur la touche Marche/Arrêt **(7)**. N'utilisez pas d'objet pointu ou tranchant pour appuyer sur la touche. Les LED de l'indicateur **(6)** s'allument et indiquent en même temps le niveau de charge.

► **Vérifiez toujours que la batterie est correctement verrouillée dans sa fixation.** Pour cela, tirez sur la batterie (après avoir retiré la clé).

Remarque : Quand le niveau de charge de la batterie de VAE est inférieur à 5 %, toutes les LED de l'indicateur d'état de charge **(6)** sont éteintes sur la batterie. Seul l'ordinateur de bord/la commande déportée permet de savoir si le vélo électrique est activé ou non. Pour **éteindre** la batterie de VAE, appuyez à nouveau sur la touche Marche/Arrêt **(7)**. Les LED de l'indicateur **(6)** s'éteignent. Le vélo électrique s'éteint alors lui aussi.

Si la Drive Unit n'est pas sollicitée pendant **10** minutes (du fait par ex. que le vélo est à l'arrêt) et que dans le même temps aucune touche de l'ordinateur de bord ou de la commande déportée de votre vélo électrique n'est actionnée, le vélo électrique s'éteint automatiquement.

La batterie est protégée contre les décharges complètes, les surcharges, la surchauffe et les courts-circuits par le « Battery Management System (BMS) ». En cas de danger, un circuit de protection éteint automatiquement la batterie du VAE.



En cas de détection d'un défaut au niveau de la batterie de VAE, deux des LED de l'indicateur d'état de charge **(6)** clignotent. Adressez-vous alors à un revendeur de VAE agréé.

Comportement en cas de dysfonctionnement de la batterie

Il est interdit d'ouvrir les batteries de VAE Bosch, même à des fins de réparation. Les batteries risquent alors de prendre feu, p. ex. suite à un court-circuit. Ce risque subsiste lors de la réutilisation d'une batterie de VAE Bosch ayant été ouverte ce serait-ce **qu'une seule fois**.

En cas de dysfonctionnement de la batterie, ne la faites pas réparer mais faites-la remplacer par une batterie Bosch d'origine de la génération **the smart system (le système intelligent)**.

Transport

► **Pour transporter votre VAE à l'extérieur de votre voiture, par exemple sur une galerie de toit, retirez préalablement l'ordinateur de bord et la batterie (sauf si fixe) afin d'éviter qu'ils soient endommagés.**

Les batteries de VAE sont soumises à la réglementation relative au transport de matières dangereuses. Lors d'un transport par des tiers (par ex. transport aérien ou entreprise de transport), des prescriptions particulières en matière d'emballage et de marquage

doivent être observées (par ex. les prescriptions de l'ADR). Au besoin, faites appel à un expert en transport de matières dangereuses.

Il n'est permis d'expédier des batteries de VAE que si leur boîtier n'est pas endommagé et si elles sont encore en état de marche. Utilisez pour le transport d'une batterie de VAE son emballage Bosch d'origine. Protégez les contacts et emballez la batterie de manière à ce qu'elle ne puisse pas se déplacer dans l'emballage. Prévenez l'expéditeur qu'il s'agit d'un produit classé comme matière dangereuse. Veuillez également respecter les réglementations supplémentaires éventuellement en vigueur dans votre pays.

- **Utilisez toujours un porte-vélos compatible et approuvé lorsque vous transportez votre eBike. Le système d'entraînement Bosch représente un poids supplémentaire pour votre vélo.** Reportez-vous au manuel de votre porte-vélo pour vous assurer que votre eBike est compatible. L'excès de

poids sur un porte-vélos peut entraîner des blessures graves ou mortelles.

- **Utilisez des techniques de levage correctes car les vélos électriques sont généralement plus lourds que les vélos traditionnels.**

Expédiez les accus uniquement si leur boîtier n'est pas endommagé. Protégez les contacts et emballez l'accu de manière à ce qu'il ne puisse pas se déplacer dans l'emballage. Prévenez l'expéditeur qu'il s'agit d'un produit classé comme matière dangereuse. Veuillez également respecter les réglementations supplémentaires éventuellement en vigueur dans votre pays. Vérifiez toujours les réglementations départementales et nationales avant de tenter d'expédier votre batterie.

Pour toute question concernant le transport des batteries de VAE, adressez-vous à un revendeur de VAE agréé. Vous pouvez également commander un emballage de transport approprié auprès d'un revendeur spécialisé.

Maintenance/nettoyage

- **Arrêtez toujours l'accu lorsque vous le montez ou le retirez de son support.** Ne tentez jamais de monter ni de retirer l'accu lorsque vous roulez à vélo.
- **Ne plongez pas vos composants eBike dans l'eau et ne les lavez pas avec un pulvérisateur haute pression.** Votre unité d'entraînement Bosch est conçue pour être étanche à l'eau de pluie ou à un tuyau d'arrosage sans pression.
- **Notez le nom du fabricant et le numéro de la clé.** Si vous perdez les clés, contactez un revendeur eBike Bosch autorisé. Veuillez fournir le nom du fabricant et le numéro de la clé.
- **Ne peignez aucun élément du système d'entraînement Bosch car cela peut entraîner une défaillance prématurée de l'élément.**

Nettoyage

- **Ne plongez pas vos composants eBike dans l'eau et ne les lavez pas avec un pulvérisateur haute**

pression. Votre unité d'entraînement Bosch est conçue pour être étanche à l'eau de pluie ou à un tuyau d'arrosage sans pression.

Maintenez tous les éléments de votre vélo électrique propres, surtout les contacts de l'accu et les supports de fixation. Ne plongez pas dans l'eau les éléments, y compris l'unité de l'entraînement et ne les nettoyez pas à l'aide d'un nettoyeur haute pression. Nettoyez-les soigneusement à l'aide d'un chiffon doux et humide (en utilisant uniquement du savon doux et de l'eau).

Gardez la batterie de VAE propre et évitez tout contact avec des produits de soin de la peau, de la crème solaire et des insecticides. Nettoyez-la avec précaution avec un chiffon doux humide.

Nettoyez occasionnellement les pôles du connecteur et graissez-les légèrement. Utilisez pour cela de la vaseline médicale ou technique.

Service après-vente et conseil utilisateurs

Pour toutes les questions concernant votre vélo électrique et ses éléments, adressez-vous à un vélociste agréé.

Vous trouverez les données de contact de vélocistes agréés sur le site internet www.bosch-ebike.com.

Si la batterie de VAE ne fonctionne plus, adressez-vous à un revendeur de VAE agréé.

Stockage

La durée de vie de la batterie de VAE peut être prolongée si elle est bien entretenue et surtout si elle est utilisée et stockée à des températures appropriées.

Toutefois, en dépit d'un bon entretien, la capacité de la batterie de VAE se réduira avec l'âge.

Si l'autonomie de la batterie de VAE diminue fortement au fil des recharges, c'est que la batterie est arrivée en fin de vie et qu'elle doit être remplacée. Vous pouvez la remplacer vous-même en achetant une batterie de VAE Bosch d'origine auprès d'un vélociste agréé.

Recharge d'une batterie de VAE avant et pendant son stockage

Avant une longue durée de non-utilisation de votre vélo (plus de 3 mois), rechargez la batterie de VAE à environ 30 %–60 % (correspond à l'allumage de 2 à 3 LED de l'indicateur de l'état de charge **(6)**).

Contrôlez le niveau de charge après 6 mois. Au cas où une seule des LED de l'indicateur d'état de charge **(6)** est allumée, rechargez la batterie de VAE à environ 30 %–60 %.

Remarque : Une batterie de VAE qui reste déchargée pendant une durée prolongée risque de se détériorer malgré sa faible autodécharge et sa capacité peut être considérablement réduite.

Il est déconseillé de laisser la batterie de VAE raccordée en permanence au chargeur.

Conditions de stockage

Dans la mesure du possible, rangez la batterie de VAE dans un endroit sec et bien aéré. Protégez-la de l'humidité et de l'eau. Dans des conditions climatiques défavorables, il est recommandé de retirer la batterie du vélo électrique et de la ranger dans un local fermé jusqu'à la prochaine utilisation.

Lieux de rangement **à proscrire** pour les batteries de VAE :

- dans des locaux non équipés d'un détecteur de fumées
- à proximité de matières combustibles ou facilement inflammables
- à proximité de sources de chaleur
- dans des véhicules fermés (surtout en été)
- endroits directement exposés au soleil




Pour prolonger la durée de vie d'une batterie de VAE, rangez-la à la température ambiante.

Évitez à tout prix les températures inférieures à **14 °F** ou supérieures à **140 °F**.

Veillez à ne pas dépasser la température de stockage maximale admissible.

Il est recommandé de ne pas laisser la batterie de VAE sur le vélo pendant les longues périodes de non-utilisation du vélo.

Résolution des problèmes

Cause	Remède
 <p>Batterie défectueuse</p>	<p>Deux LED de la batterie de VAE clignotent. Adressez-vous à un revendeur de VAE agréé.</p>
 <p>La batterie est trop chaude ou trop froide</p>	<p>Trois LED de la batterie de VAE clignotent. Déconnectez la batterie de VAE du chargeur jusqu'à ce qu'elle revienne dans la plage de températures de charge admissible. Ne rebranchez la batterie de VAE au chargeur qu'une fois qu'elle se trouve à nouveau dans la plage de températures admissible.</p>
 <p>Le chargeur ne charge pas.</p>	<p>Aucune LED ne clignote (selon le niveau de charge de la batterie, une ou plusieurs LED sont allumées en permanence). Adressez-vous à un revendeur de VAE agréé.</p>
<p>Recharge impossible (pas d'affichage sur la batterie de VAE)</p>	
<p>Le câble n'est pas correctement branché</p>	<p>Contrôlez tous les connecteurs.</p>
<p>Contacts de la batterie de VAE encrassés</p>	<p>Nettoyez avec précaution les contacts électriques de la batterie de VAE.</p>
<p>Prise de courant, câble ou chargeur défectueux</p>	<p>Vérifiez la tension du secteur, faites contrôler le chargeur par un revendeur de VAE.</p>
<p>Batterie de VAE défectueuse</p>	<p>Adressez-vous à un revendeur de VAE agréé.</p>

Programme de recyclage des accus



La Drive Unit, l'ordinateur de bord, la commande déportée, la batterie VAE, le capteur de vitesse, les accessoires et l'emballage doivent être rapportés à un centre de recyclage respectueux de l'environnement.

Ne jetez pas les systèmes eBike et leurs éléments constitutifs dans les ordures ménagères !

Avant de mettre au rebut une batterie, appliquez du ruban adhésif autour des surfaces de contact des pôles.

Ne saisissez pas les batteries de VAE fortement endommagées avec les mains car de l'électrolyte risque de s'échapper et de provoquer des brûlures de la peau. Conservez la batterie défectueuse dans un lieu sûr à l'extérieur. Recouvrez les pôles avec du ruban adhésif et informez votre revendeur. Il vous indiquera comment vous débarrasser de la batterie en conformité avec la législation.



Pour recycler votre batterie Bosch, appelez le 1.800.822.8837.

Índice

Introducción	2
Acerca de las advertencias	2
Advertencias generales	2
Utilización de sus Instrucciones de servicio	3
Etiquetas de advertencia en el producto	4
Manejo de las baterías de litio	7
Indicaciones de seguridad para acumuladores de eBikes de Bosch	7
Descripción del producto y servicio	9
Montaje.....	17
Operación	24
Transporte.....	24
Mantenimiento/Limpieza	25
Almacenamiento	26
Resolución de problemas	27
Programa de reciclaje de baterías	28

Introducción

Acerca de las advertencias

Este manual contiene muchos **PELIGROS**, **ADVERTENCIAS**, y **PRECAUCIONES** sobre las consecuencias de una falta de uso, montaje, mantenimiento, almacenamiento, inspección y eliminación de una eBike equipada por Bosch de modo seguro.

– La combinación del símbolo de alerta de seguridad y la palabra **PELIGRO** indica una situación peligrosa que, si no se evita, ocasionará la muerte o lesiones graves.

– La combinación del símbolo de alerta de seguridad y la palabra **ADVERTENCIA** indica una situación peligrosa que, si no se evita, podría provocar la muerte o lesiones graves.

– La combinación del símbolo de alerta de seguridad y la palabra **PRECAUCIÓN** indica una situación peligrosa que, si no se evita, podría ocasionar lesiones leves o moderadas.

Advertencias generales



Lea íntegramente todas las indicaciones de seguridad e instrucciones. No seguir las advertencias e instrucciones siguientes puede provocar la muerte o lesiones graves.

Guarde todas las indicaciones de seguridad e instrucciones para posibles consultas futuras.

El término **Acumulador para eBike** utilizado en estas instrucciones de servicio se refiere a todos los acumuladores originales para eBike de Bosch de la generación del sistema **the smart system (el smart system)**.

► **Lea TODOS los manuales incluidos antes de montar en la bicicleta por primera vez.** Su sistema de accionamiento de Bosch incluye manuales y documentación adicionales proporcionados por el fabricante de la bicicleta y de otros componentes. No leer o desconocer la información de seguridad puede provocar la muerte o lesiones graves.

⚠ ADVERTENCIA

► **Este manual contiene información importante de seguridad, rendimiento y mantenimiento.** Léalo antes de usar su nueva bicicleta y guárdelo a modo de referencia. Puede encontrar el manual también en línea en www.bosch-ebike.com.

► **Este manual está previsto para su lectura junto con el manual de usuario aparte que venía con su bicicleta.** Antes de usar la bici por primera vez, asegúrese de leer toda la documentación facilitada, incluidas las etiquetas que lleva el producto.

► **Por su propia SEGURIDAD, sea responsable.** Si tiene dudas o no entiende algo, consúltelo con su distribuidor o con el fabricante de la bicicleta o del componente.

► **Algunos accesorios de la eBike pueden suponer un peligro de atragantamiento para los niños pequeños.** Mantenga esos accesorios alejados de los niños.

⚠ PRECAUCIÓN

► **El sistema de accionamiento de Bosch incrementa el peso de su bicicleta, que puede que no esté acostumbrado a levantar.** Evite las lesiones; utilice técnicas de elevación adecuadas.

Utilización de sus Instrucciones de servicio

Además de las funciones aquí representadas, puede ser que se introduzcan en cualquier momento modificaciones de software para la eliminación de errores y modificaciones de funciones.

Gráficos

La bicicleta que se muestra en este manual puede diferir ligeramente de la suya; no obstante, las similitudes son suficientes para ayudarle a entender nuestras instrucciones.

Los lados DERECHO e IZQUIERDO se indican mirando en el sentido que la bicicleta tendrá al circular hacia delante. Si ve una línea discontinua (-----), el elemento al que se refiere está oculto a la vista.

Etiquetas de advertencia en el producto

A



BOSCH
Robert Bosch GmbH
72757 Reutlingen
Germany
www.bosch-ebike.com







!!! 警告: 使用前に取扱説明書を読むこと。分解、改造、端子の短絡、火気への投入禁止。故障が疑われる時は使用を停止する。専用充電器を使用すること。

!!! 주의사항: 1. 사용전 반드시 사용설명서를 읽어주시기 바랍니다. 2. 비오는 날이나 가연성 폭발물 근처에서는 사용하지 마세요.





⚠ WARNING To reduce the risk of injury, explosion, or fire, user must read instruction manual. Charge battery only with Bosch eBike chargers. • Do not crush, puncture, disassemble, short terminals, or dispose in fire. • Do not use battery once it has been impacted, sustained water damage or visibly damaged.

⚠ AVERTISSEMENT L'utilisateur doit lire le mode d'emploi pour réduire le risqué de blessure, d'explosion ou d'incendie. • Ne charger la pile qu'avec un chargeur Bosch eBike. • Ne pas écraser, perforer, démonter, court-circuiter les bornes ou jeter dans un feu. • Ne pas réutiliser la pile si elle a subi un choc, des dégâts causés par l'eau ou d'autres dommages visibles.

B



BOSCH
Robert Bosch GmbH
72757 Reutlingen
Germany
www.bosch-ebike.com







警告: 可充電之二次鋰電池組; 依照說明書指示使用電池。使用專用充電器。廢電池請回收。

!!! 警告: 使用前に取扱説明書を読むこと。分解、改造、端子の短絡、火気への投入禁止。故障が疑われる時は使用を停止する。専用充電器を使用すること。

!!! 주의사항: 1. 사용전 반드시 사용설명서를 읽어주시기 바랍니다. 2. 비오는 날이나 가연성 폭발물 근처에서는 사용하지 마세요.





⚠ WARNING To reduce the risk of injury, explosion, or fire, user must read instruction manual. Charge battery only with Bosch eBike chargers. • Do not crush, puncture, disassemble, short terminals, or dispose in fire. • Do not use battery once it has been impacted, sustained water damage or visibly damaged.

⚠ AVERTISSEMENT L'utilisateur doit lire le mode d'emploi pour réduire le risqué de blessure, d'explosion ou d'incendie. • Ne charger la pile qu'avec un chargeur Bosch eBike. • Ne pas écraser, perforer, démonter, court-circuiter les bornes ou jeter dans un feu. • Ne pas réutiliser la pile si elle a subi un choc, des dégâts causés par l'eau ou d'autres dommages visibles.

C



BOSCH
Robert Bosch GmbH
72757 Reutlingen
Germany
www.bosch-ebike.com







⚠ WARNING To reduce the risk of injury, explosion, or fire, user must read instruction manual. Charge battery only with Bosch eBike chargers. • Do not crush, puncture, disassemble, short terminals, or dispose in fire. • Do not use battery once it has been impacted, sustained water damage or visibly damaged.

⚠ AVERTISSEMENT L'utilisateur doit lire le mode d'emploi pour réduire le risqué de blessure, d'explosion ou d'incendie. • Ne charger la pile qu'avec un chargeur Bosch eBike. • Ne pas écraser, perforer, démonter, court-circuiter les bornes ou jeter dans un feu. • Ne pas réutiliser la pile si elle a subi un choc, des dégâts causés par l'eau ou d'autres dommages visibles.

D

BOSCH
Robert Bosch GmbH
72757 Reutlingen
Germany



⚠ WARNING To reduce the risk of injury, explosion, or fire, user must read instruction manual. Charge battery only with Bosch eBike chargers. • Do not crush, puncture, disassemble, short terminals, or dispose in fire. • Do not use battery once it has been impacted, sustained water damage or visibly damaged.

⚠ AVERTISSEMENT L'utilisateur doit lire le mode d'emploi pour réduire le risque de blessure, d'explosion ou d'incendie. • Ne charger la pile qu'avec un chargeur Bosch eBike. • Ne pas écraser, perfore, démonter, court-circuiter les bornes ou jeter dans un feu. • Ne pas réutiliser la pile si elle a subi un choc, des dégâts causés par l'eau ou d'autres dommages visibles.



E

BOSCH
Robert Bosch GmbH
72757 Reutlingen
Germany
www.bosch-ebike.com



⚠ WARNING To reduce the risk of injury, explosion, or fire, user must read instruction manual. • Do not crush, puncture, disassemble, short terminals, or dispose in fire. • Do not use battery once it has been impacted, sustained water damage or visibly damaged. • Charge battery only with Bosch eBike chargers.

⚠ AVERTISSEMENT L'utilisateur do it lire le mode d'emploi pour réduire le risque de blessure, explosion ou d'incendie. • Ne pas écraser, perfore, démonter, court-circuiter les bornes ou jeter dans un feu. • Ne pas réutiliser la pile si elle a subi un choc, des dégâts causés par l'eau ou d'autres dommages visibles. • Ne charger la pile qu'avec un chargeur Bosch eBike.

⚠ 警告
使用前に取扱説明書を読むこと
分解、改造、端子の短絡、火気への投入禁止
故障が疑われる時は使用を停止すること
専用充電器を使用すること

⚠ 경고,警告
주의사항1. 사용 전 반드시 사용 설명서를 읽어 주시기 바랍니다.
2. 비오늘날이나 가연성 폭발물 근처에서는 사용하지 마세요.
可充電之二次鋰電池組 依照說明書指示使用電池, 使用
專用充電器, 廢電池請回收



A-C Indicaciones de seguridad para PowerPack
Frame

Nota: Las etiquetas representadas pueden diferir de las etiquetas del producto.

D Indicaciones de seguridad para PowerPack
Rack

E Indicaciones de seguridad para PowerTube

F Indicaciones de seguridad para CompactTube

- **Para la protección del usuario, se han colocado etiquetas de advertencia en el sistema eBike de Bosch. Lea y siga las instrucciones de las etiquetas del producto con atención. Si una etiqueta deja de ser legible o se despega, póngase en contacto con su proveedor de bicicletas de Bosch para obtener otra de repuesto. Bosch proporciona etiquetas de seguridad de repuesto de forma gratuita.**

Manejo de las baterías de litio

Indicaciones de seguridad para acumuladores de eBikes de Bosch



Lea y conozca todas las indicaciones de seguridad y las instrucciones.

No seguir las advertencias siguientes puede provocar la muerte o lesiones graves.

Guarde todas las indicaciones de seguridad e instrucciones para posibles consultas futuras.

El término **Acumulador para eBike** utilizado en estas instrucciones de servicio se refiere a todos los acumuladores originales para eBike de Bosch de la generación del sistema **the smart system (el smart system)**.

Los términos **Accionamiento** y **Unidad de accionamiento** utilizados en estas instrucciones de servicio se refieren a todas las unidades de accionamiento originales Bosch de la generación del sistema **the smart system (el smart system)**.

El término **Cargador** utilizado en estas instrucciones de servicio se refiere a todos los cargadores de Bosch de la generación del sistema **the smart system (el smart system)**.

- ▶ **Lea y siga todas las indicaciones de seguridad e instrucciones de todos los manuales de uso del sistema eBike, así como las instrucciones de uso de su eBike.**
- ▶ **Retire la batería de la eBike antes de iniciar cualquier trabajo (por ejemplo: inspección, reparación, montaje, mantenimiento, trabajos en la cadena, etc.) en la eBike. En el caso de las baterías de la eBike instaladas permanentemente, preste especial atención a que la eBike no pueda encenderse.** Existe peligro de lesiones si se activa involuntariamente la eBike.
- ▶ **Usted mismo no puede extraer las baterías de la eBike instaladas permanentemente. Encargue el montaje y desmontaje de las baterías de la eBike**

instaladas permanentemente al distribuidor autorizado.

⚠ PELIGRO

- ▶ **No perfore ni aplaste el paquete de baterías. No afecte ni modifique de ninguna manera el paquete de baterías.** No use el paquete de baterías si muestra daños visibles. Existe peligro de incendio o explosión que puede causar la muerte o lesiones graves.



Proteja la batería contra el calor (p.ej. temperatura > 140 °F), fuego e inmersión en agua. Peligro de explosión.

⚠ ADVERTENCIA

- ▶ **Utilice solo paquetes de baterías originales de Bosch aprobados para su eBike por el fabricante y comprados en una fuente confiable.** El uso de paquetes de baterías no aprobados o falsificados puede provocar la muerte o lesiones graves.
- ▶ **No intente abrir la batería de la eBike.** Podría provocar un cortocircuito. Si se abre la batería de la eBike se denegará la garantía.
- ▶ **Si no utiliza la batería de la eBike, guárdela separada de clips, monedas, llaves, clavos, tornillos o demás objetos metálicos que pudieran puentear sus contactos.** El cortocircuito de los contactos puede causar quemaduras o un incendio. En los daños derivados de un cortocircuito por los motivos antedichos Bosch anula cualquier derecho a garantía.
- ▶ **Evite las cargas mecánicas o una fuerte acción del calor.** Ésto podría dañar los elementos de batería y conducir a la salida de materiales contenidos inflamables.
- ▶ **Mantenga el cargador y la batería de la eBike alejados de cualquier material inflamable. Car-**

gue siempre las baterías de la eBike en lugares secos y protegidos contra incendios. Existe riesgo de incendio si se produce un aumento de la temperatura durante la carga.

- ▶ **No debe dejarse cargando la batería de la eBike sin la debida vigilancia.**
- ▶ **La utilización inadecuada de la batería de la eBike puede provocar fugas de líquido. Evite el contacto con él. En caso de un contacto enjuagar con abundante agua. En caso de un contacto del líquido con los ojos recurra además inmediatamente a un médico.** El líquido puede irritar la piel o producir quemaduras.
- ▶ **Las baterías de eBikes no deben estar expuestas a golpes mecánicos.** Existe el riesgo de que la batería de la eBike se dañe.
- ▶ **Si se daña la batería de la eBike o se utiliza de forma indebida, pueden salir vapores. En tal caso, busque un entorno con aire fresco y acuda a un médico si nota molestias.** Los vapores pueden irritar las vías respiratorias.
- ▶ **No cargue ni utilice la eBike en lugares con una atmósfera potencialmente explosiva, como gasolineras, ni en zonas en las que el aire contenga productos químicos o partículas (como semillas, polvo o polvo de metales).** Obedezca todas las señales e instrucciones.
- ▶ **Cargue la batería de la eBike solo con un cargador original de Bosch de la generación del sistema the smart system (el smart system).** Peligro de incendio al utilizar cargadores de otros fabricantes.
- ▶ **Utilice la batería de la eBike solo con eBikes de la generación del sistema the smart system (el smart system).** Solamente así queda protegida la batería de la eBike frente a una sobrecarga peligrosa.
- ▶ **Utilice únicamente baterías de eBikes originales de Bosch de la generación del sistema the smart system (el smart system) autorizadas por el fabricante para su eBike.** El uso de otro tipo de ba-

terías de eBikes puede acarrear lesiones e incluso un incendio. Si se usan baterías de eBikes de otro tipo, Bosch declina cualquier responsabilidad y el derecho a garantía.

- ▶ **Mantenga la batería de la eBike alejada de los niños.**

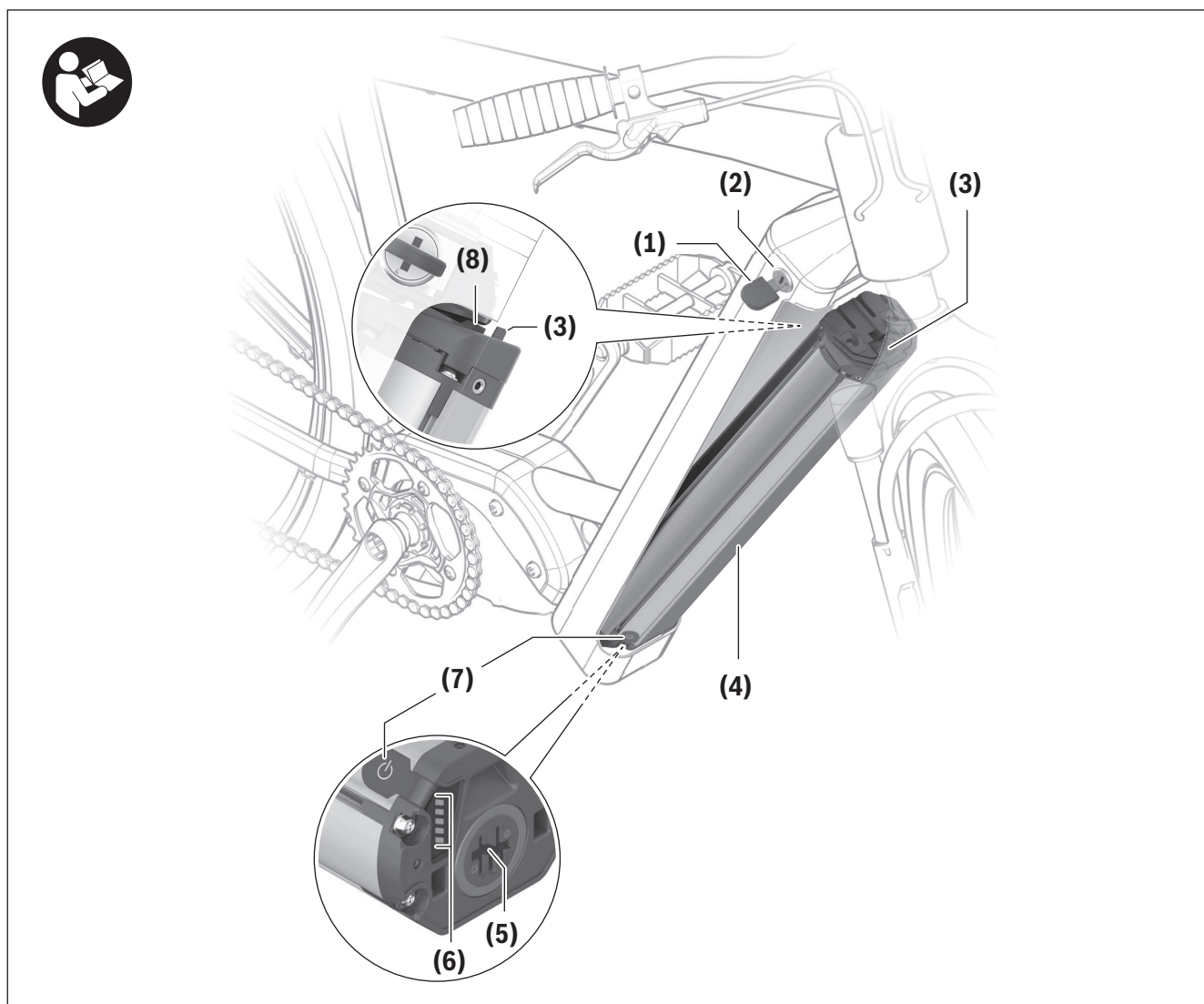
Para nosotros es muy importante la seguridad de nuestros clientes y productos. Nuestras baterías para eBike son baterías de iones de litio que se han desarrollado y fabricado según el estado de la técnica. Cumplimos o superamos los estándares de seguridad pertinentes. En estado cargado, las baterías de iones de litio tienen un alto contenido de energía. En el caso de un defecto (posiblemente no detectable desde el exterior), las baterías de iones de litio pueden incendiarse en casos muy raros y en circunstancias desfavorables.

Indicación de protección de datos

Al conectar la eBike a **Bosch DiagnosticTool 3** o sustituir componentes de la eBike, se transmite a Bosch eBike Systems (Robert Bosch GmbH) información técnica sobre su eBike (p.ej., fabricante, modelo, ID de la bicicleta, datos de configuración), así como sobre el uso de la eBike (p.ej., tiempo total de uso, consumo de energía, temperatura) para tramitar su solicitud, en caso de servicio técnico y con fines de mejora del producto. Más información sobre el procesamiento de datos se encuentran en www.bosch-ebike.com/privacy-full.

Descripción del producto y servicio

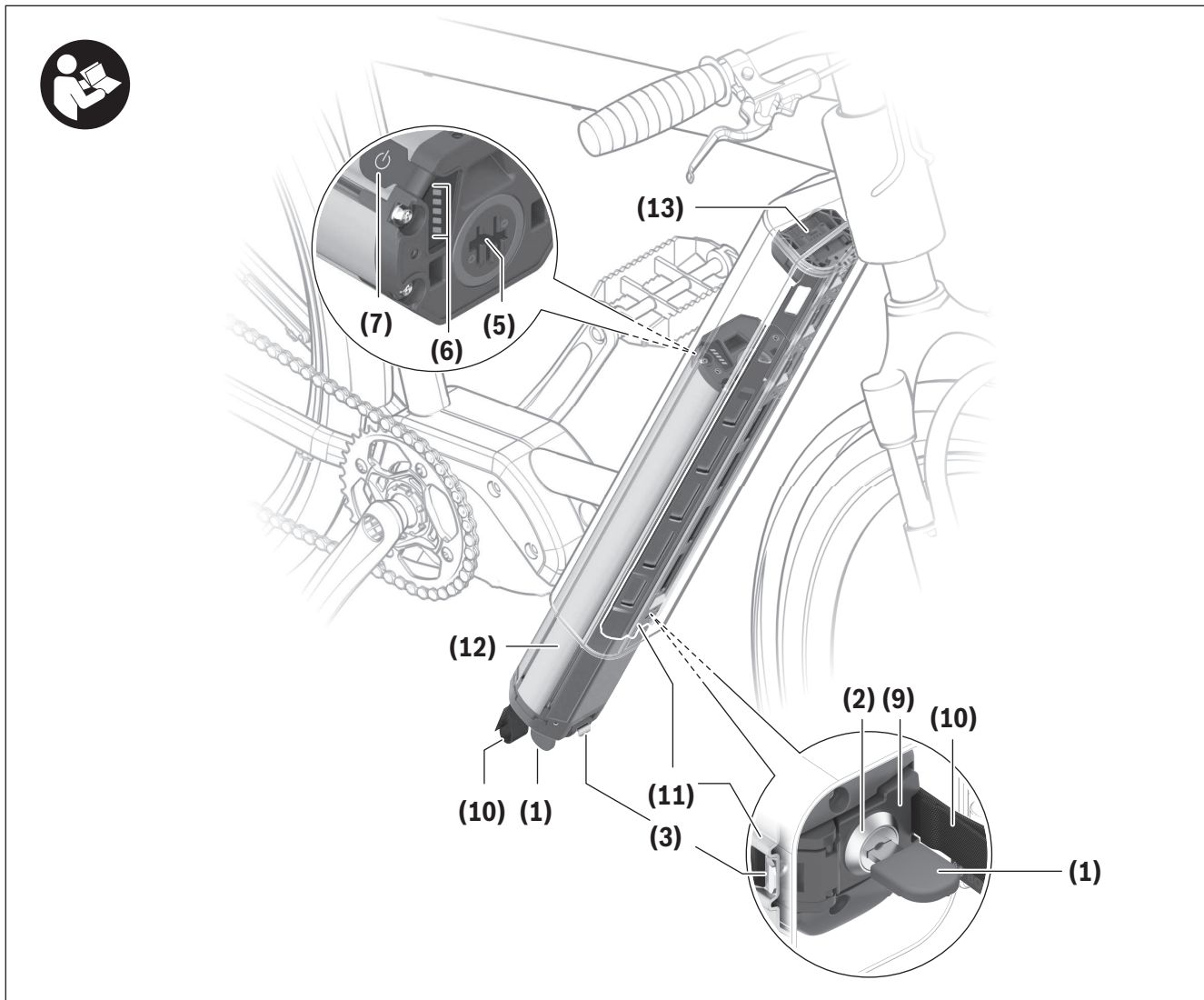
Características del producto PowerTube



Todas las representaciones de los componentes de la bicicleta, a excepción de las baterías y sus soportes, se muestran de manera esquemática y pueden diferir de su eBike.

- (1)** Llave de la cerradura del acumulador
- (2)** Cerradura del acumulador
- (3)** Gancho de retención del acumulador PowerTube

- (4)** Acumulador PowerTube (Pivot)
- (5)** Conector hembra para el cargador
- (6)** Indicador del estado de funcionamiento y de carga
- (7)** Tecla de conexión/desconexión
- (8)** Dispositivo de retención del acumulador PowerTube

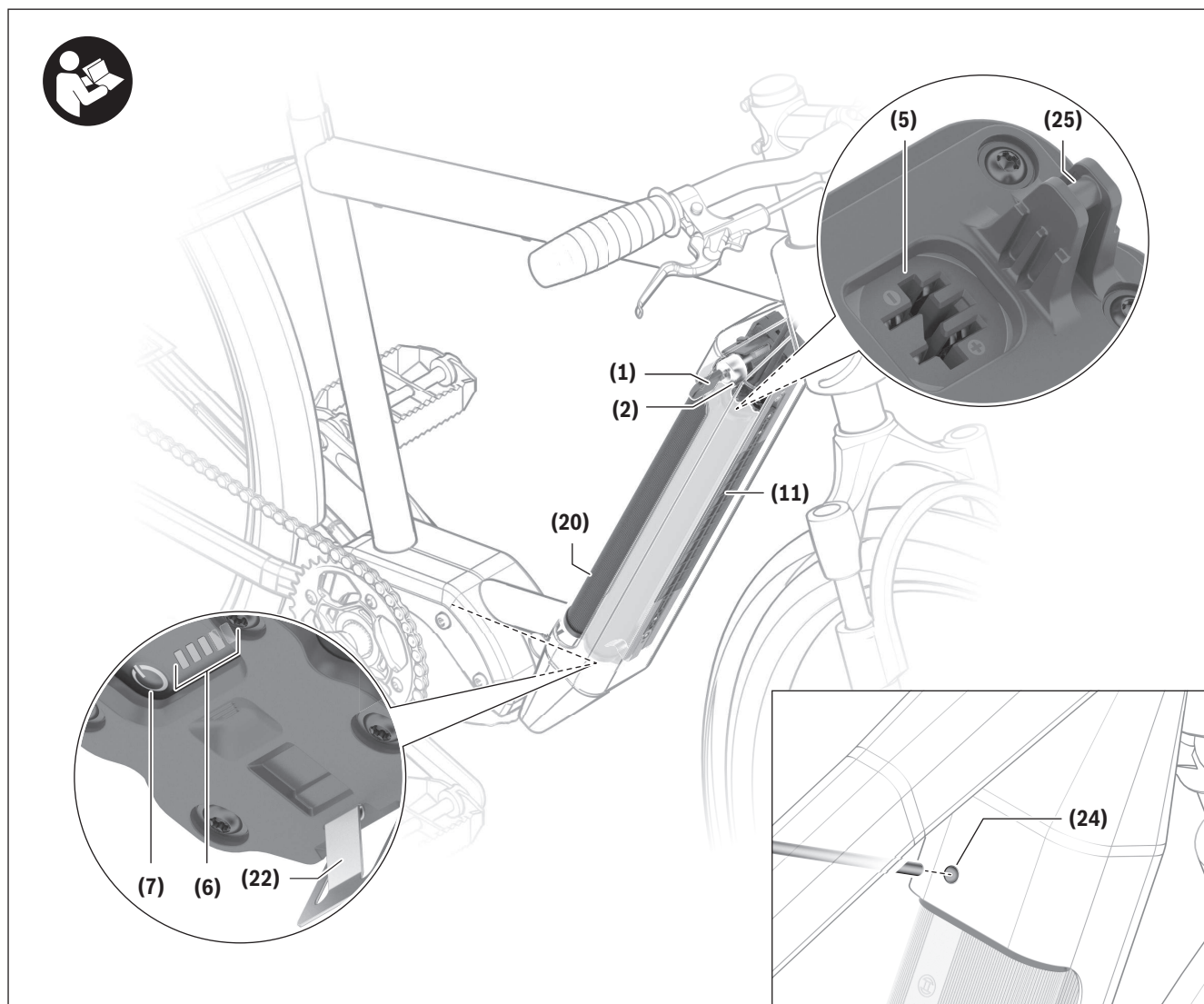


Todas las representaciones de los componentes de la bicicleta, a excepción de las baterías y sus soportes, se muestran de manera esquemática y pueden diferir de su eBike.

- (1)** Llave de la cerradura del acumulador
- (2)** Cerradura del acumulador
- (3)** Gancho de retención del acumulador Power-Tube
- (5)** Conector hembra para el cargador
- (6)** Indicador del estado de funcionamiento y de carga
- (7)** Tecla de conexión/desconexión

- (9)** Enclavamiento
- (10)** Lazo de tracción
- (11)** Riel axial
- (12)** Acumulador PowerTube (Axial)
- (13)** Soporte superior de PowerTube Axial

Características del producto CompactTube

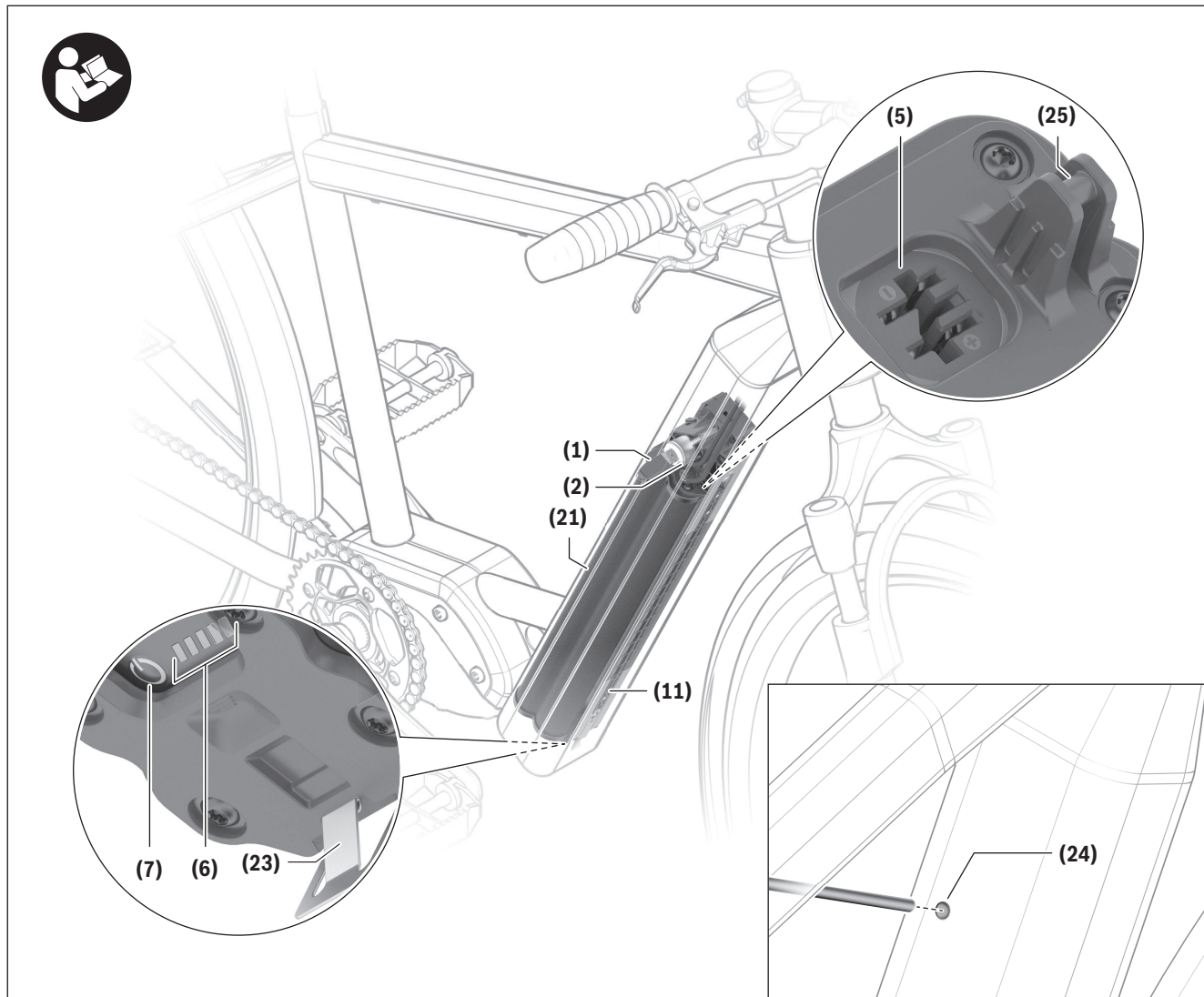


Todas las representaciones de los componentes de la bicicleta, a excepción de las baterías y sus soportes, se muestran de manera esquemática y pueden diferir de su eBike.

- (1) Llave del bloqueo de la batería
- (2) Bloqueo de la batería
- (5) Toma para el cargador
- (6) Indicador del estado de funcionamiento y de carga

- (7) Tecla de conexión/desconexión
- (9) Enclavamiento
- (11) Riel axial
- (20) Batería CompactTube (Pivot)
- (22) Sistema de retención de la batería CompactTube (Pivot)
- (24) Elemento de desbloqueo CompactTube^{a)}
- (25) Elemento de retención CompactTube

a) Diferentes realizaciones constructivas posibles

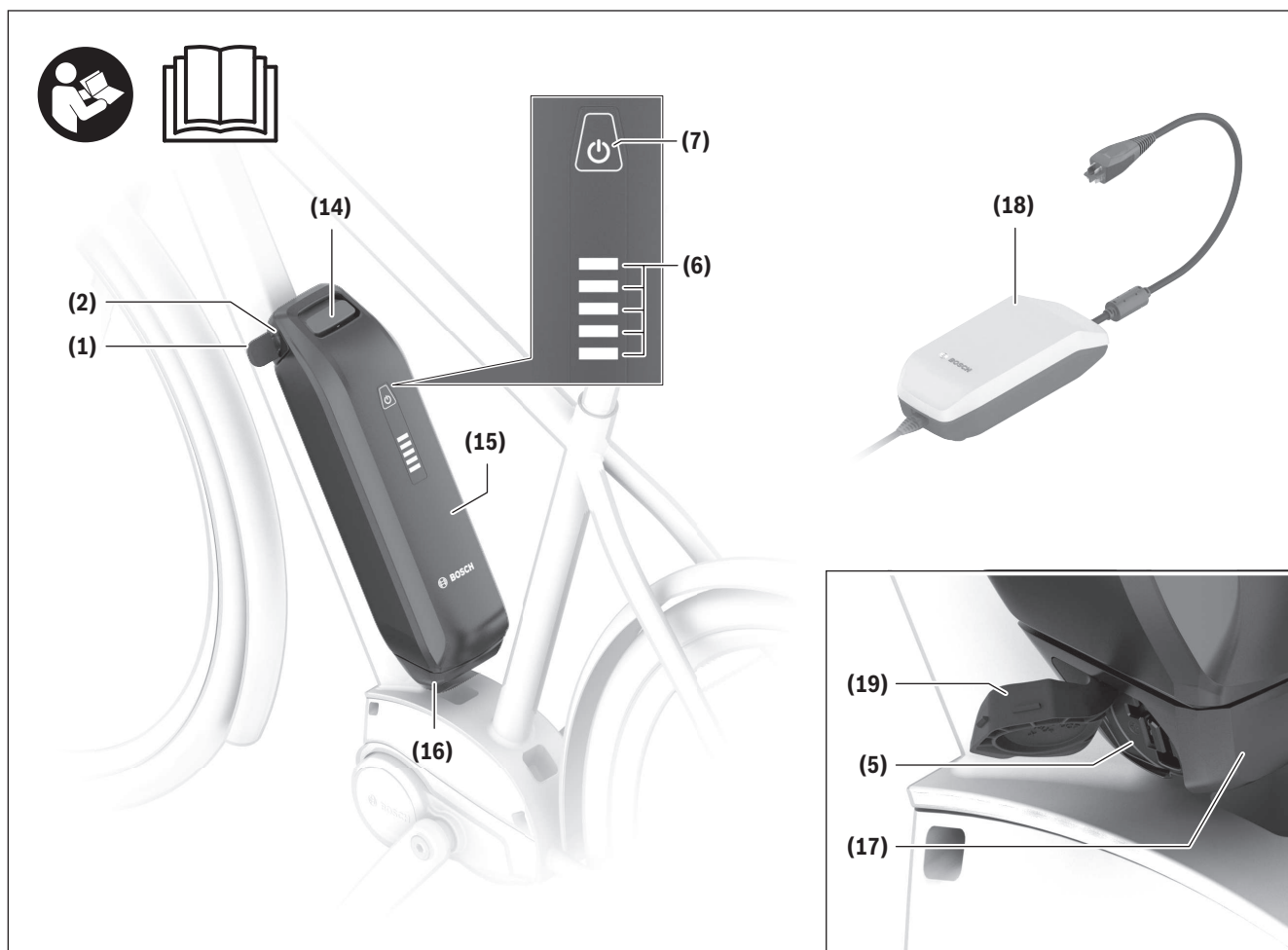


Todas las representaciones de los componentes de la bicicleta, a excepción de las baterías y sus soportes, se muestran de manera esquemática y pueden diferir de su eBike.

- (1)** Llave del bloqueo de la batería
- (2)** Bloqueo de la batería
- (5)** Toma para el cargador
- (6)** Indicador del estado de funcionamiento y de carga
- (7)** Tecla de conexión/desconexión
- (9)** Enclavamiento
- (11)** Riel axial

- (21)** Batería CompactTube (Axial)
 - (23)** Sistema de retención de la batería CompactTube (Axial)
 - (24)** Elemento de desbloqueo CompactTube^{a)}
 - (25)** Elemento de retención CompactTube
- a) Diferentes realizaciones constructivas posibles

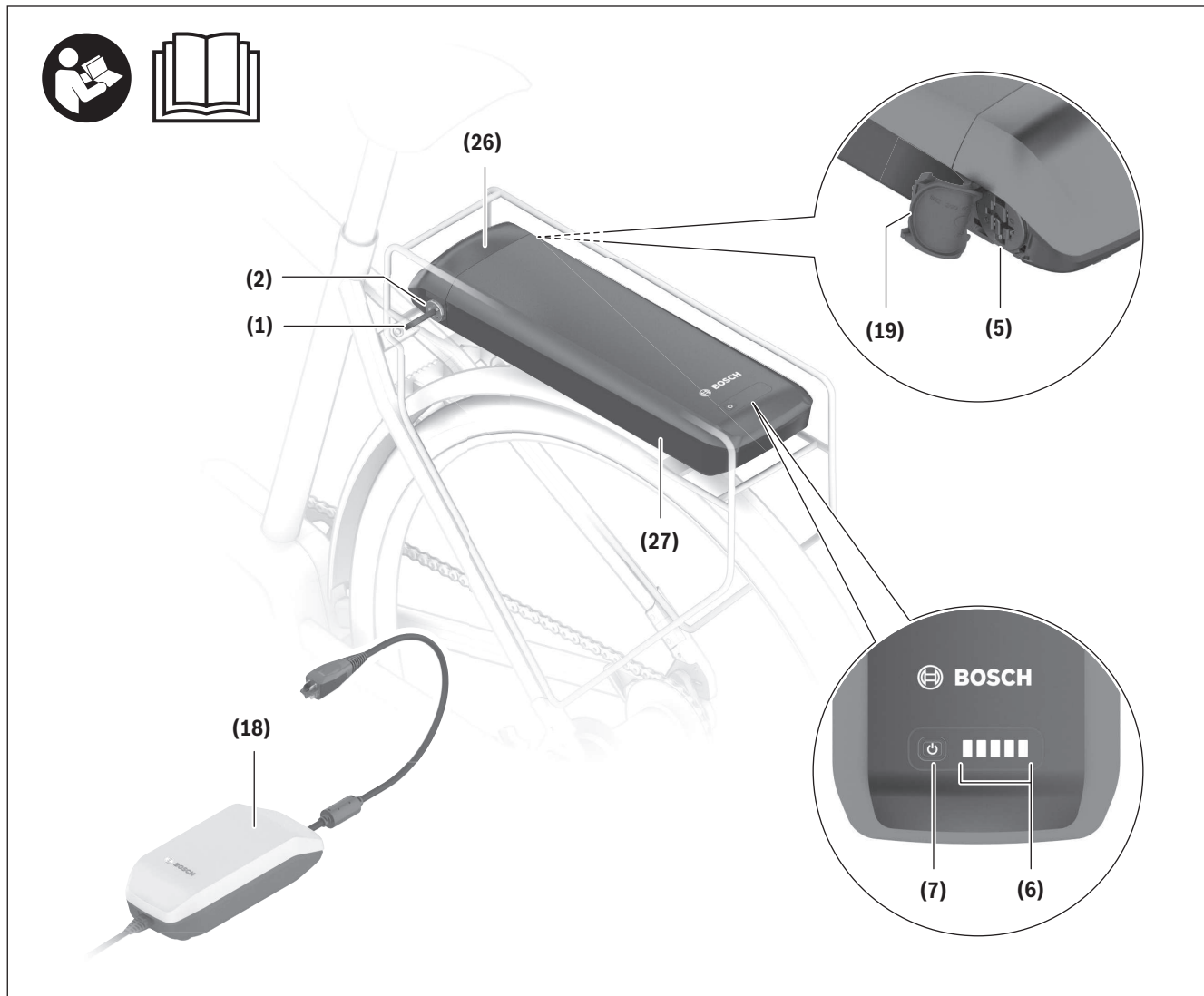
Características del producto PowerPack Frame



Todas las representaciones de los componentes de la bicicleta, a excepción de las baterías y sus soportes, se muestran de manera esquemática y pueden diferir de su eBike.

- (1)** Llave de la cerradura del acumulador
- (2)** Cerradura del acumulador
- (5)** Conector hembra para el cargador
- (6)** Indicador del estado de funcionamiento y de carga
- (7)** Tecla de conexión/desconexión
- (14)** Soporte superior del acumulador PowerPack
- (15)** Acumulador PowerPack
- (16)** Soporte inferior del acumulador PowerPack (base sin posibilidad de carga)
- (17)** Soporte inferior del acumulador PowerPack (base con posibilidad de carga)
- (18)** Cargador
- (19)** Tapa de conector de carga

Características del producto PowerPack Rack



Todas las representaciones de los componentes de la bicicleta, a excepción de las baterías y sus soportes, se muestran de manera esquemática y pueden diferir de su eBike.

(1) Llave del bloqueo de la batería

(2) Bloqueo de la batería

(5) Toma para el cargador

(6) Indicador del estado de funcionamiento y de carga

(7) Tecla de conexión/desconexión

(18) Cargador

(19) Tapa de la toma de carga

(26) Soporte de la batería para portaequipajes

(27) Batería para portaequipajes

Utilización reglamentaria

Las baterías para eBikes de Bosch de la generación del sistema **the smart system (el smart system)** están diseñadas exclusivamente para la alimentación de corriente de su unidad de accionamiento de la generación del sistema **the smart system (el smart system)** y no deben utilizarse para ningún otro objetivo.

Datos técnicos

Batería de iones de litio		CompactTube 400	PowerTube 500	PowerTube 625	PowerTube 750
Código de producto	horizontal	BBP3245 BBP3247	BBP3755	BBP3765	BBP3775
Código de producto	vertical	BBP3246 BBP3247	BBP3756	BBP3766	BBP3776
Tensión nominal	V=	36	36	36	36
Capacidad nominal	Ah	11	13,4	16,7	20,1
Energía	Wh	400 ^{A)}	500 ^{A)}	625 ^{A)}	750 ^{A)}
Temperatura de servicio	°F	23 ... 104	23 ... 104	23 ... 104	23 ... 104
Temperatura de almacenamiento	°F	50 ... 104	50 ... 104	50 ... 104	50 ... 104
Margen de temperatura de carga admisible	°F	32 ... 104	32 ... 104	32 ... 104	32 ... 104
Peso, aprox.	lbs	4,4	6,6	7,9	9,6
Grado de protección		IP55	IP55	IP55	IP55

A) La capacidad energética de la batería anunciada es una aproximación. Debido a las tolerancias de fabricación, la capacidad medida no siempre coincide con la anunciada.

Español – 16

Batería de iones de litio		PowerPack Frame 400	PowerPack Frame 545	PowerPack Frame 725	PowerPack Frame 800
Código de producto		BBP3545	BBP3556	BBP3575	BBP3585
Tensión nominal	V=	36	36	36	36
Capacidad nominal	Ah	11,1	14,4	19,2	22,2
Energía	Wh	400 ^{A)}	545 ^{A)}	725 ^{A)}	800 ^{A)}
Temperatura de servicio	°F	23 ... 104	23 ... 104	23 ... 104	23 ... 104
Temperatura de almacenamiento	°F	50 ... 104	50 ... 104	50 ... 104	50 ... 104
Margen de temperatura de carga admisible	°F	32 ... 104	32 ... 104	32 ... 104	32 ... 104
Peso, aprox.	lbs	4,8	6,6	8,8	8,6
Grado de protección		IP55	IP55	IP55	IP55

A) La capacidad energética de la batería anunciada es una aproximación. Debido a las tolerancias de fabricación, la capacidad medida no siempre coincide con la anunciada.

Batería de iones de litio		PowerPack Rack 400	PowerPack Rack 500
Código de producto		BBP3345	BBP3355
Tensión nominal	V=	36	36
Capacidad nominal	Ah	10,8	13,6
Energía	Wh	400 ^{A)}	500 ^{A)}
Temperatura de servicio	°F	23 ... 104	23 ... 104
Temperatura de almacenamiento	°F	50 ... 104	50 ... 104
Margen de temperatura de carga admisible	°F	32 ... 104	32 ... 104
Peso, aprox.	lbs	5,9	6,1
Grado de protección		IP55	IP55

A) La capacidad energética de la batería anunciada es una aproximación. Debido a las tolerancias de fabricación, la capacidad medida no siempre coincide con la anunciada.

Montaje

- **Solamente coloque la batería de la eBike sobre superficies limpias.** Ponga especial cuidado de no ensuciar el conector hembra para carga ni los contactos, p. ej. con arena o tierra.



Verifique la batería de la eBike antes del primer uso

Verifique la batería de la eBike antes de cargarla por primera vez o de usarla con su eBike.

Presione para ello la tecla de conexión/desconexión (7) para conectar la batería de la eBike. Si no se enciende ningún LED del indicador de estado de carga (6), entonces es probable que la batería de la eBike esté dañada.

Si se enciende al menos uno, pero no todos los LED en el indicador de estado de carga (6), entonces cargue completamente la batería de la eBike antes de usarla por primera vez.

- **No cargue una batería de eBike dañada y no la use.** Diríjase a una tienda de bicicletas autorizada.

Carga de la batería de la eBike

- **Una batería de eBike de Bosch de la generación del sistema the smart system (el smart system) solo puede cargarse con un cargador original de Bosch de la generación del sistema the smart system (el smart system).**

Nota: La batería de la eBike se suministra parcialmente cargada. Con el fin de obtener la plena potencia de la batería de la eBike, antes de su primer uso, cárguelo completamente con el cargador.

Lea y atégase a las instrucciones de uso del cargador al cargar la batería de la eBike.

La batería de la eBike se puede cargar en cualquier estado de carga. Una interrupción del proceso de carga no afecta a la batería de la eBike.

La batería de la eBike está equipada con un sistema de control de temperatura, que permite cargar solo en el margen de temperatura entre **32 °F** y **104 °F**.

Si la batería de la eBike se encuentra fuera del margen de temperatura de carga, parpadean tres LED del indicador de estado de carga (6). Desconecte la batería de la eBike del cargador y permita que alcance la temperatura correcta.

⚠ PRECAUCIÓN

- **No conecte el paquete de baterías al cargador hasta que haya alcanzado la temperatura de carga permitida.**

Indicador del estado de carga fuera de la eBike

Los cinco LED del indicador de estado de carga (6) indican el estado de carga cuando la batería de la eBike está conectada.

Cada uno de los LED corresponde por lo tanto a una capacidad aprox. de 20 %. Si la batería de la eBike está completamente cargada, se encienden los cinco LED.

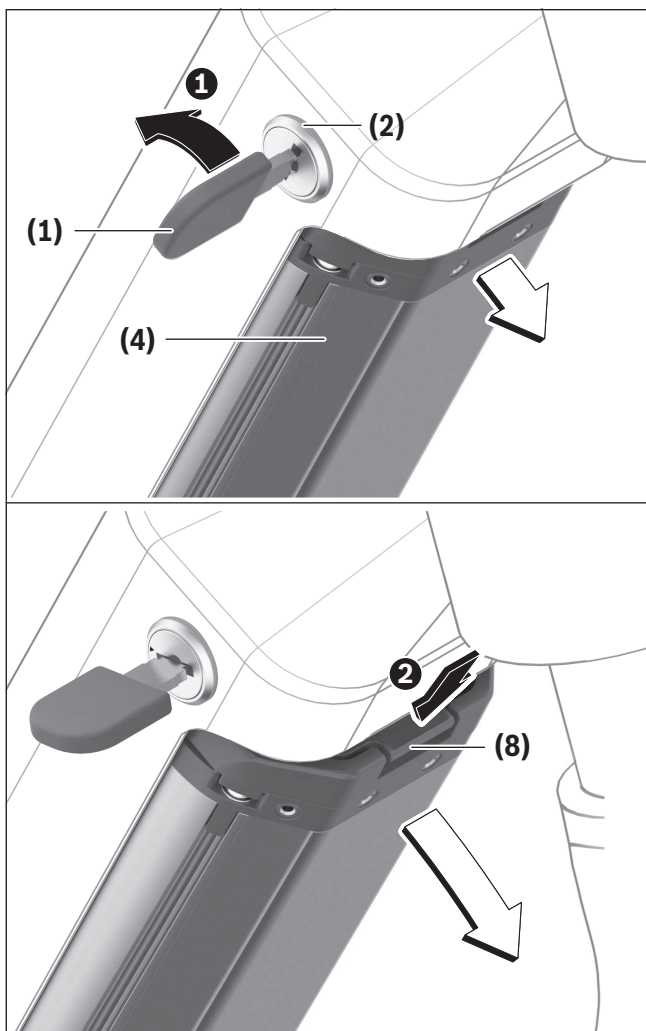
Adicionalmente se muestra el estado de carga de la batería de la eBike conectada en la pantalla del ordenador de a bordo. Para ello lea y atégase a las instrucciones de uso de la unidad de accionamiento y del ordenador de a bordo.

Si la capacidad de la batería de la eBike es inferior al 10 %, el último LED restante parpadea.

Tras la carga, desconecte la batería de la eBike del cargador y el cargador de la red.

Inserción y extracción de la batería de la eBike

- **Desconecte siempre primero la batería y el sistema eBike para insertar o extraer la batería de la eBike del soporte.**
- **Una vez introducida la batería de la eBike, compruebe en todas las direcciones que está firme y correctamente encajada.**

Extracción de la batería PowerTube (Pivot)

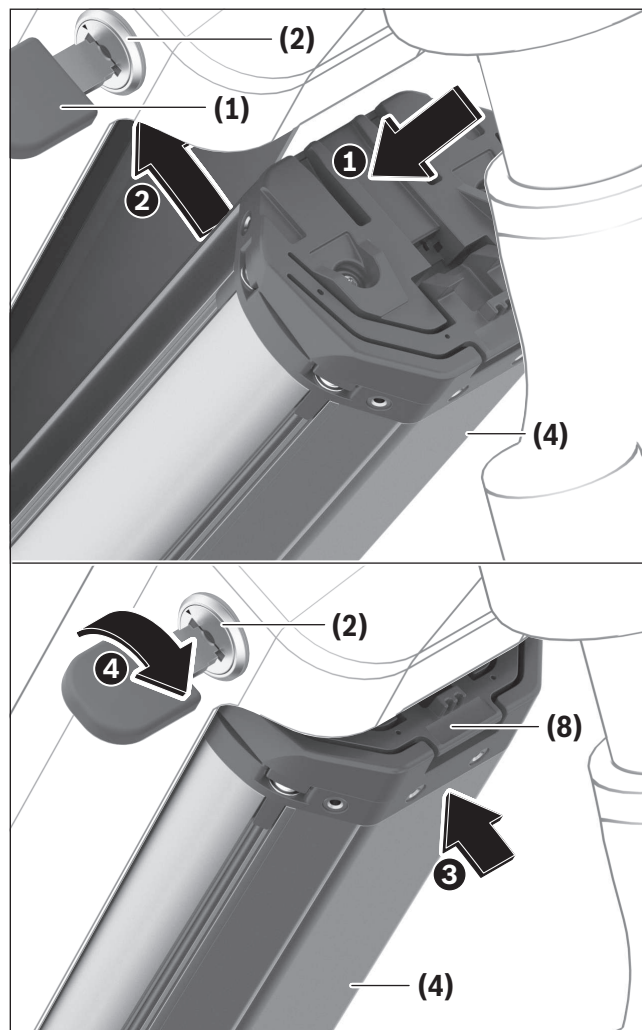
❶ Para retirar la batería PowerTube (4), abra la cerradura de la batería (2) con la llave (1). La batería se desbloquea y cae en el dispositivo de retención (8).

Nota: Asegúrese de sujetar la batería de la eBike con la mano al extraerla.

❷ Sujete la batería firmemente y presione el sistema de sujeción (8). La batería se desbloquea por completo y cae en la mano. A continuación, retire la batería del cuadro.

Nota: Debido a **diferentes** realizaciones constructivas, puede ser que la inserción y la extracción de la batería deba realizarse de otro modo. Lea al respecto

las instrucciones de servicio del fabricante de la eBike.

Inserción de la batería PowerTube (Pivot)

Para poder introducir la batería, se debe insertar la llave (1) en la cerradura de la batería (2), que debe estar cerrada.

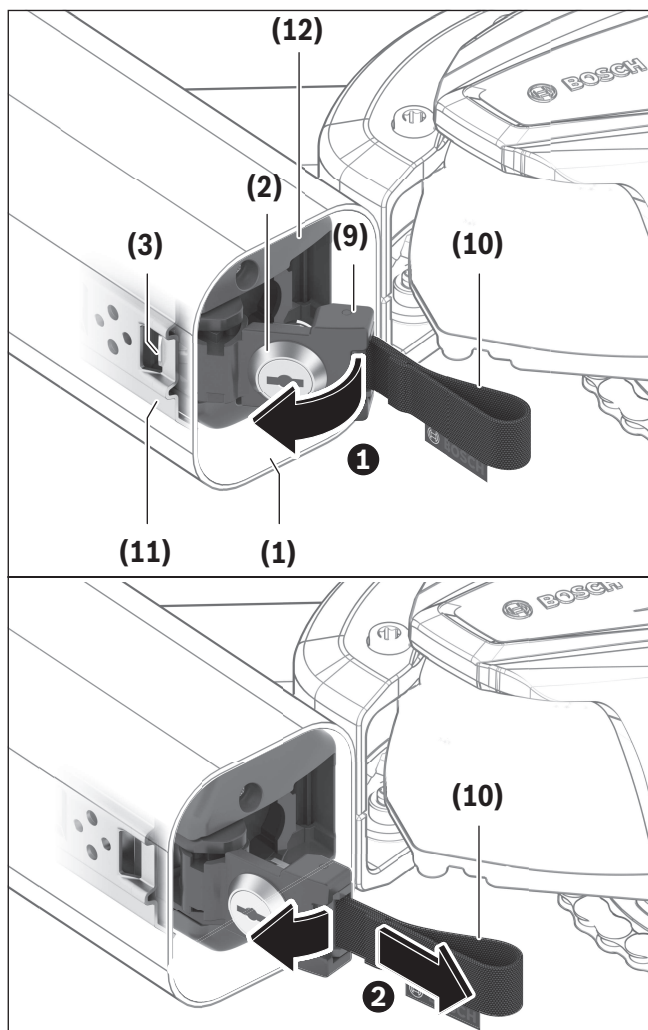
❶ Para insertar la batería PowerTube (4), introdúzcala con los contactos en el soporte inferior del cuadro.

❷ Gire la batería hacia arriba hasta que quede sujeta en el sistema de retención (8).

❸ Mantenga la cerradura de la batería abierta con la llave e introduzca la batería hacia arriba hasta que encaje de forma audible.

④ Cierre siempre la batería con la cerradura (2) porque, de lo contrario, la cerradura de la batería podría abrirse y caer la batería del soporte. Después de cerrarla, retire siempre la llave (1) de la cerradura de la batería (2). De esta forma se evita que la llave se caiga o que la batería de la eBike la retiren terceros no autorizados cuando la eBike está parada.

Extracción de la batería PowerTube (Axial)

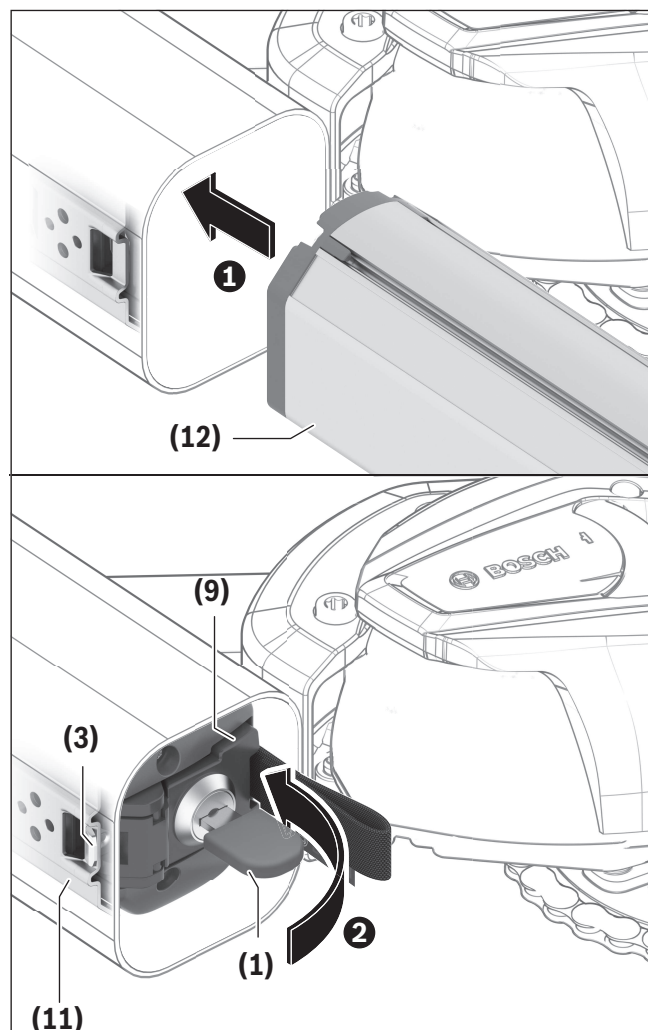


① Para extraer la batería PowerTube (12), abra la cerradura de la batería (2) con la llave (1), retire la llave (1) y gire el enclavamiento (9) hacia un lado.

② Utilizando el lazo de tracción (10), saque la batería (12) del bastidor y sujétela firmemente para que no se caiga del mismo.

Nota: Debido a diferentes realizaciones constructivas, puede ser que la inserción y la extracción de la batería deba realizarse de otro modo. Lea al respecto las instrucciones de servicio del fabricante de la eBike.

Inserción de la batería PowerTube (Axial)



Para poder introducir la batería, el enclavamiento (9) debe estar girado hacia un lado. La llave (1) no debe estar en la cerradura de la batería (2) en este momento.

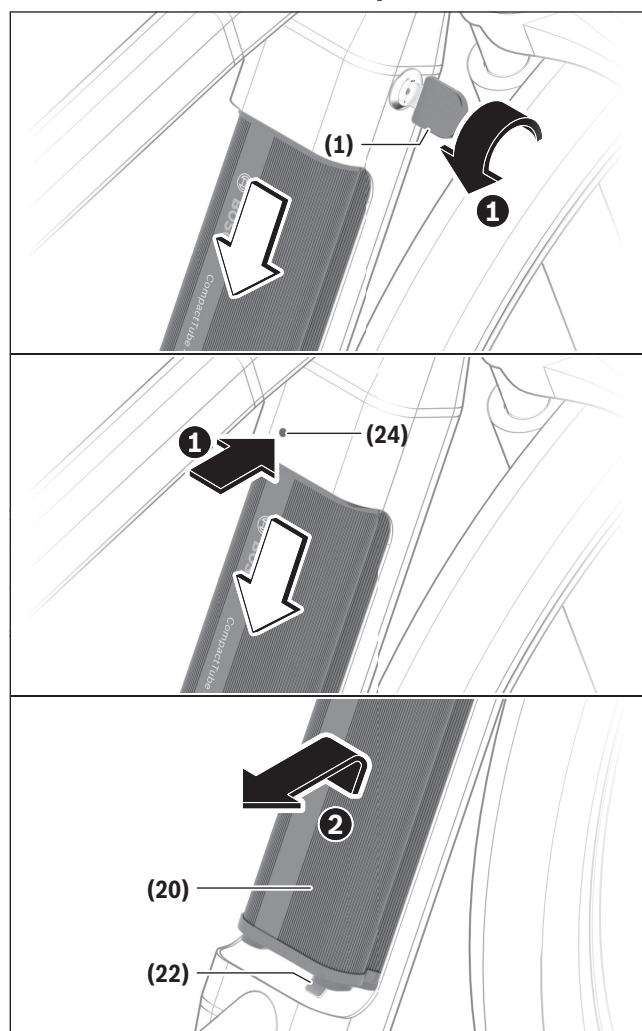
- ❶ Para insertar la batería PowerTube, introdúzcala en el bastidor con el conector hembra para el cargador (5) hacia arriba hasta que encaje. Asegúrese de que la batería quede orientada correctamente.
- ❷ Cierre el enclavamiento (9), introduzca la llave (1) en la cerradura de la batería (2) y cierre con llave la batería. Asegúrese de que el gancho de seguridad (3) esté enganchado en la abertura del carril guía (11) correctamente. De lo contrario, existe el riesgo de que la batería se caiga durante la conducción.

Después de cerrarla, retire siempre la llave (1) de la cerradura de la batería (2). De esta forma se evita que la llave se caiga o que la batería de la eBike la retiren terceros no autorizados cuando la eBike está parada.

Batería CompactTube (instalación fija)

Las baterías de la eBike instaladas permanentemente en el cuadro de la bicicleta solo pueden extraerse en caso de avería. En este caso, diríjase a un distribuidor de bicicletas autorizado.

Extracción de la batería CompactTube (Pivot)



- ❶ Para extraer la batería CompactTube (20), abra la cerradura de la batería (2) con la llave (1) o presione el elemento de desbloqueo (24) con una herramienta adecuada no puntiaguda (por ejemplo, con una llave Allen). La batería se desbloquea y cae en el dispositivo de retención (22).

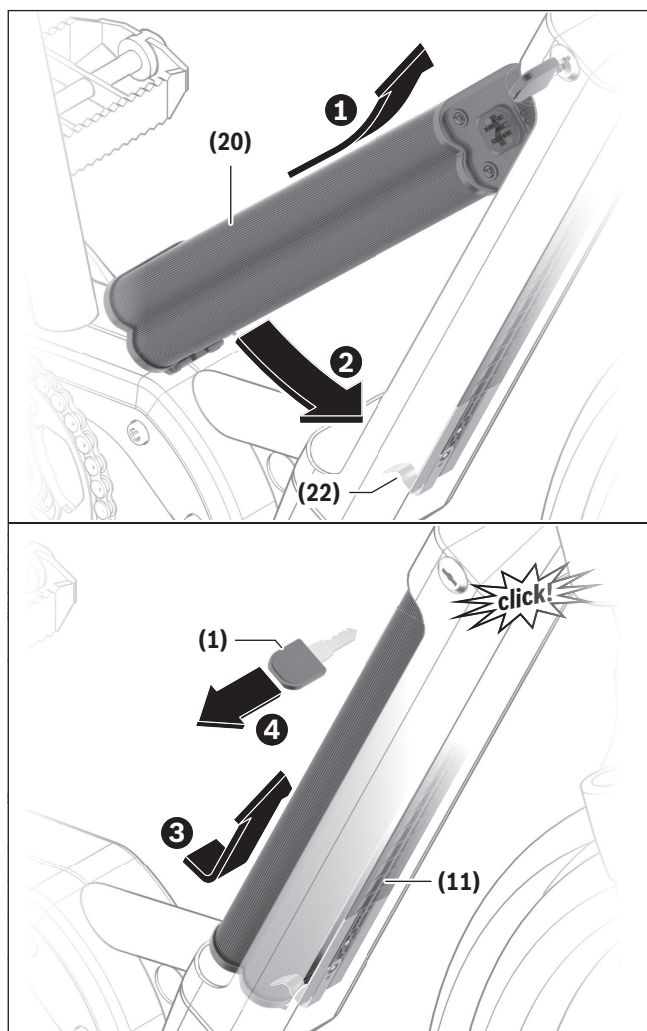
Nota: Asegúrese de sujetar la batería de la eBike con la mano al extraerla.

- ❷ Sujete la batería, deslícela ligeramente hacia la cerradura de la batería (2) y tire de ella para sacarla del sistema de retención (22).

Nota: El elemento de desbloqueo puede desbloquearse siguiendo una solución específica del fabricante, desviándose del gráfico. Lea al respecto las instrucciones de servicio del fabricante de la eBike.

Nota: Debido a **diferentes** realizaciones constructivas, puede ser que la inserción y la extracción de la batería deba realizarse de otro modo. Lea al respecto las instrucciones de servicio del fabricante de la eBike.

Inserción de la batería CompactTube (Pivot)

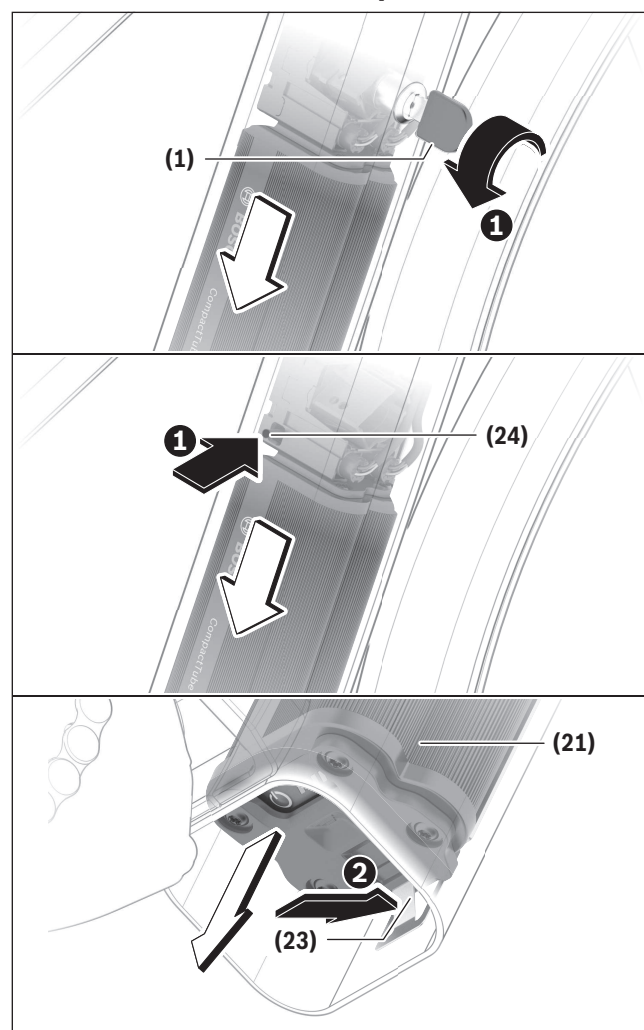


- 1 Para insertar la batería CompactTube (20), introdúzcala con los contactos en el soporte superior del cuadro.

- 2 Gire la batería en el cuadro de la bicicleta hasta que quede sujeta en el sistema de retención (22).
- 3 Presione la batería en el carril guía (11) y empújela hacia la cerradura de la batería (2) hasta que encaje de forma audible.
- 4 A continuación, retire la llave (1) de la cerradura de la batería (2).

Después de cerrarla, retire siempre la llave (1) de la cerradura de la batería (2). De esta forma se evita que la llave se caiga o que la batería de la eBike la retiren terceros no autorizados cuando la eBike está parada.

Extracción de la batería CompactTube (Axial)



- Para extraer la batería CompactTube (21), abra la cerradura de la batería (2) con la llave (1) o presione el elemento de desbloqueo (24) con una herramienta adecuada no puntiaguda (por ejemplo, con una llave Allen). La batería se desbloquea y cae en el dispositivo de retención (23).

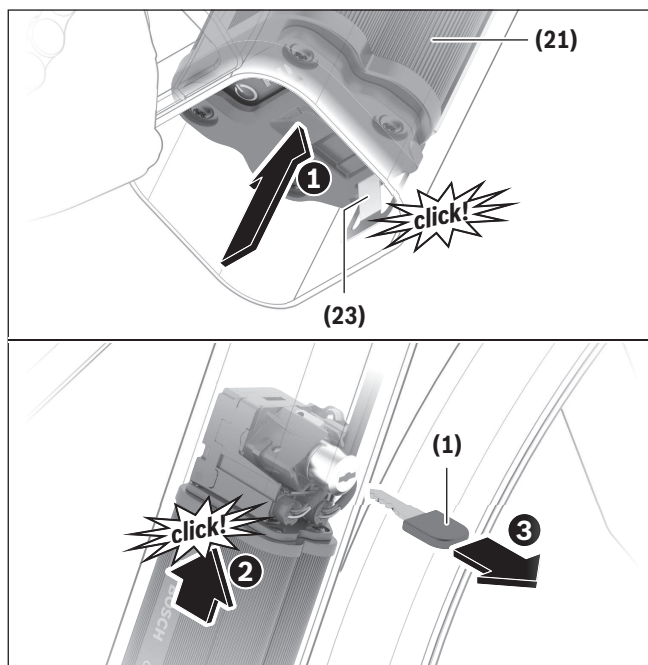
Nota: Asegúrese de sujetar la batería de la eBike con la mano al extraerla.

- Presione el sistema de retención (23). Sujete firmemente la batería si esta sobresale del cuadro de la bicicleta. A continuación, retire la batería.

Nota: El elemento de desbloqueo puede desbloquearse siguiendo una solución específica del fabricante, desviándose del gráfico. Lea al respecto las instrucciones de servicio del fabricante de la eBike.

Nota: Debido a diferentes realizaciones constructivas, puede ser que la inserción y la extracción de la batería deba realizarse de otro modo. Lea al respecto las instrucciones de servicio del fabricante de la eBike.

Inserción de la batería CompactTube (Axial)



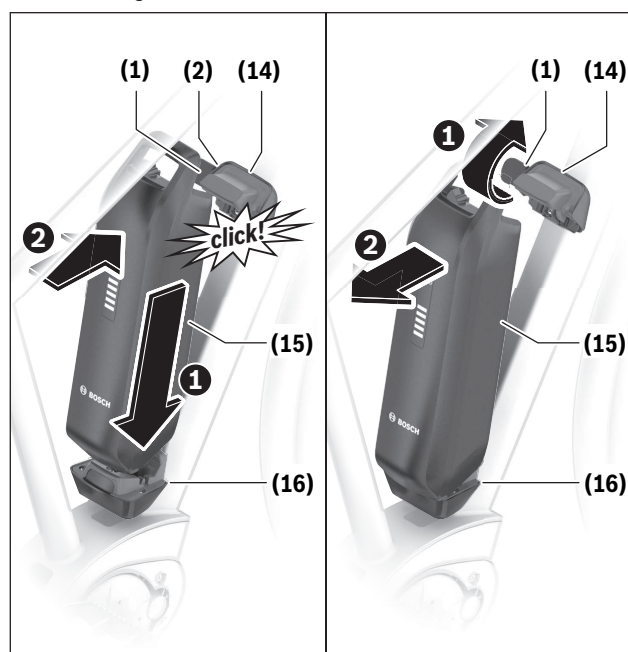
- Para insertar la batería CompactTube (21), introdúzcala en el bastidor con el conector hembra

para el cargador (5) hacia arriba hasta que encaje en el sistema de retención (23) de forma audible. Asegúrese de que la batería quede orientada correctamente.

- Desplace la batería hacia la cerradura de la batería (2) hasta que encaje ahí (2) de forma audible.
- A continuación, retire la llave (1) de la cerradura de la batería (2).

Después de cerrarla, retire siempre la llave (1) de la cerradura de la batería (2). De esta forma se evita que la llave se caiga o que la batería de la eBike la retengan terceros no autorizados cuando la eBike está parada.

Inserción y extracción de la batería PowerPack

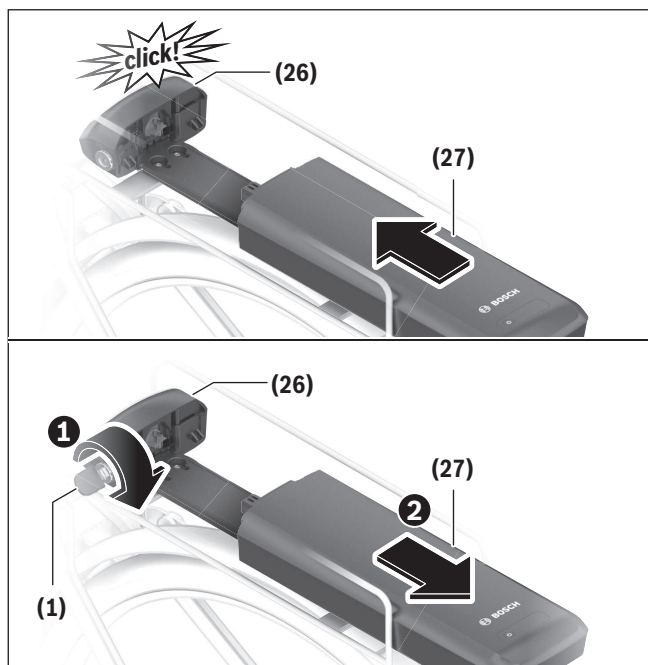


La llave (1) no debe estar en la cerradura de la batería (2) para poder colocar la batería.

- Para **insertar** la batería PowerPack (15), colóquela con los contactos en el soporte inferior (16) de la eBike.
- Gírela hasta el tope en el soporte superior (14) hasta que encaje de forma audible.

- ❶ Para **extraer** la batería PowerPack **(15)**, desconéctela y cierre la cerradura de la batería **(2)** con la llave **(1)**.
- ❷ Gire la batería fuera del soporte superior **(14)** y retírela del soporte inferior **(16)**.

Insertar y extraer una batería de portaequipajes



La cerradura de la batería **(2)** debe estar bloqueada para poder introducir la batería. La llave **(1)** no debe estar insertada en la cerradura de la batería **(2)**.

Para **insertar** la batería **(27)**, deslícela con los contactos por delante en el soporte **(26)** hasta que encaje de forma audible.

Para **extraer** la batería **(27)**, desconéctela y abra la cerradura de la batería con la llave **(1)** ❶.

Retire la batería del soporte **(26)** ❷.

Operación

Puesta en marcha

► **Utilice únicamente baterías de eBikes originales de Bosch de la generación del sistema the smart system (el smart system) autorizadas por el fabricante para su eBike.** El uso de otro tipo de baterías de eBikes puede acarrear lesiones e incluso un incendio. Si se usan baterías de eBikes de otro tipo, Bosch declina cualquier responsabilidad y el derecho a garantía.

Conexión/desconexión

Una de las opciones para conectar el sistema eBike es conectando la batería. Para ello lea y atégase a las instrucciones de uso de la unidad de accionamiento y del ordenador de a bordo.

Antes de encender la batería de la eBike, el sistema eBike o la eBike, compruebe si la cerradura **(2)** está cerrada.

Para **encender** la batería de la eBike, pulse la tecla de conexión/desconexión **(7)**. No utilice ningún objeto afilado o puntiagudo para pulsar la tecla. Los ledes del indicador **(6)** se iluminan y muestran al mismo tiempo el estado de carga.

► **Compruebe siempre que el paquete de baterías esté bloqueado en su lugar.** Para ello, tire de la batería (después de haber retirado la llave).

Nota: Si la capacidad de la batería de la eBike es inferior al 5 %, en la batería no se enciende ningún LED del indicador de estado de carga **(6)**. Solamente se puede ver si la eBike está conectada en el ordenador de a bordo/en el cuadro de mandos.

Para **apagar** la batería de la eBike, pulse de nuevo la tecla de conexión/desconexión **(7)**. Los ledes del in-

dicador **(6)** se apagan. La eBike también se desconecta.

Si durante unos **10** minutos no se solicita potencia al accionamiento (p. ej. porque la eBike está parada) y no se pulsa ninguna tecla del ordenador de a bordo o del cuadro de mandos de la eBike, la eBike se desconecta automáticamente.

La batería de la eBike está protegida contra descarga total, sobrecarga, sobrecalentamiento y cortocircuito gracias al sistema «Battery Management System (BMS)». En esos casos, un circuito de protección se encarga de desconectar automáticamente la batería de la eBike.



Si se detecta un defecto de la batería de la eBike, dos LED del indicador de estado de carga **(6)** parpadearán. En este caso, diríjase a un distribuidor de bicicletas autorizado.

Comportamiento en caso de avería

La batería de la eBike de Bosch no se debe abrir, ni siquiera para fines de reparación. Existe el riesgo de que la batería de la eBike se inflame, p. ej., debido a un cortocircuito. Este peligro existe al seguir utilizando una batería de eBikes **una vez** abierto, también en una fecha posterior.

Por esta razón, no repare la batería de la eBike en caso de avería, sino que deje que el distribuidor de bicicletas lo reemplace por una batería original de eBike de Bosch de la generación del sistema **the smart system (el smart system)**.

Transporte

► **Si lleva la eBike en el exterior de su automóvil, por ejemplo en un portaequipajes externo al vehículo, retire el ordenador de a bordo y la batería de la eBike (excepción: batería para eBike**

instalada de forma permanente), para evitar daños.

Las baterías de la eBike están sometidas a los requisitos de la legislación sobre el transporte de mercancías peligrosas.

Para el transporte por parte de usuarios profesionales o a través de terceros (p. ej. transporte aéreo o empresa de transporte), es imprescindible tener en cuenta los requerimientos especiales en cuanto al embalaje y la identificación (p. ej. disposiciones del ADR). En caso necesario puede consultarse a un experto en mercancías peligrosas sobre la preparación del paquete de envío.

Únicamente envíe baterías de eBikes si su carcasa no está dañada y la batería es apta para el funcionamiento. Utilice el embalaje original de Bosch para el transporte de la batería de la eBike correspondiente. Pegue los contactos abiertos y empaquete la batería de la eBike de manera que no se mueva dentro del embalaje. Indique al servicio de paquetería que se trata de mercancía peligrosa. Observe también la normativa nacional aplicable.

- **Utilice en todo caso un portabicicletas homologado y compatible cuando transporte su eBike. El sistema de accionamiento de Bosch incre-**

menta el peso de la bicicleta. Consulte el manual de su portabicicletas para asegurarse de que la eBike es compatible. Sobrecargar un portabicicletas puede causar la muerte o lesiones graves.

- **Utilice técnicas de elevación adecuadas, ya que las bicicletas eléctricas suelen ser más pesadas que las normales.**

Transporte únicamente baterías cuya carcasa esté intacta. Pegue los contactos abiertos y empaquete la batería de manera que no se mueva dentro del embalaje. Indique al servicio de paquetería que se trata de mercancía peligrosa. Observe también la normativa nacional aplicable. Compruebe siempre las normativas estatales y regionales antes de transportar sus baterías.

En todas las consultas referentes al transporte de las baterías de la eBike, diríjase a un distribuidor de bicicletas autorizado. En dichas tiendas puede adquirir también un embalaje de transporte apropiado.

Mantenimiento/Limpieza

- **Desconecte siempre la batería cuando la introduzca o extraiga del soporte.** Nunca intente introducir ni extraer la batería con la bicicleta en marcha.
- **No sumerja los componentes eBike en el agua ni los limpie con una manguera a presión.** El accionamiento de Bosch está diseñado para ser impermeable al agua de lluvia o a una limpieza con manguera sin presión.
- **Apunte el fabricante y el número de la llave.** Si pierde las llaves, diríjase a un distribuidor de eBike de Bosch autorizado. Facilite el nombre del fabricante y el número de la llave.
- **No pinte los componentes del sistema de accionamiento de Bosch, ya que eso podría causar un fallo temprano de los mismos.**

Limpieza

- **No sumerja los componentes eBike en el agua ni los limpie con una manguera a presión.** El accio-

namiento de Bosch está diseñado para ser impermeable al agua de lluvia o a una limpieza con manguera sin presión.

Mantenga limpios los componentes de su eBike, especialmente los contactos del acumulador y del respectivo soporte. Todos los componentes inclusive la unidad motriz no deberán sumergirse en agua ni tratarse con una limpiadora de alta presión. Límpielos con un paño suave y húmedo (utilice únicamente jabón neutro y agua).

Mantenga la batería de la eBike limpia y evite el contacto con productos para el cuidado de la piel, crema solar y repelentes de insectos. Límpielo con cuidado con un trapo húmedo y suave.

Limpie los polos del conector de vez en cuando y engráselos ligeramente. Para ello, utilice vaselina médica o técnica.

Servicio técnico y atención al cliente

En caso de cualquier consulta sobre la eBike y sus componentes, diríjase a un distribuidor de bicicletas autorizado.

Los detalles de contacto de los distribuidores de bicicletas autorizados se pueden encontrar en el sitio web www.bosch-ebike.com.

Si la batería de su eBike ya no funciona, acuda a un distribuidor de bicicletas autorizado.

Almacenamiento

La vida útil del acumulador de la eBike puede prolongarse si éste se trata apropiadamente y ante todo si se almacena respetando el margen de temperatura prescrito.

Aún así, a medida que va envejeciendo el acumulador de la eBike, su capacidad irá mermando.

Un período de funcionamiento significativamente reducido después de la carga indica que el paquete de baterías de la eBike está desgastado y debe ser reemplazado. Puede reemplazarse comprando un Power-Pack de Bosch original en un distribuidor autorizado de eBike de Bosch.

Recarga de la batería de la eBike antes y durante su almacenaje

En el caso de no utilizar la batería de la eBike durante un largo tiempo (> 3 meses), almacénela con un estado de carga de aprox. el 30 % hasta el 60 % (2 a 3 LED del indicador de estado de carga **(6)** iluminados).

Controle el nivel de carga pasados 6 meses. Si solo está encendido aún un LED del indicador de estado de carga **(6)**, entonces recargue la batería de la eBike de nuevo aprox. al 30 % hasta 60 %.

Nota: Si la batería de la eBike se almacena en un estado descargado durante mucho tiempo, puede dañarse a pesar de la baja autodescarga, y la capacidad de almacenamiento puede reducirse considerablemente.

No se recomienda dejar permanentemente conectada la batería de la eBike al cargador.

Condiciones para el almacenaje

Se aconseja guardar la batería de la eBike en un lugar seco y bien ventilado. Protéjalo de la humedad y del agua. En condiciones climáticas adversas, se recomienda p. ej. retirar la batería de la eBike y almacenarla en habitaciones cerradas hasta el siguiente uso.

No guarde la batería de la eBike en los siguientes lugares:




- En habitaciones sin detector de humo
- Cerca de objetos inflamables o fácilmente inflamables
- Cerca de fuentes de calor
- En vehículos cerrados (especialmente en verano)
- Bajo radiación solar directa

Para una vida útil óptima de la batería de la eBike, guarde la batería de la eBike a temperatura ambiente. Las temperaturas inferiores a **14 °F** o superiores a **140 °F** deben evitarse siempre.

Preste atención a no rebasar la temperatura de almacenaje máxima.

Se recomienda no dejar la batería en la eBike al guardarla.

Resolución de problemas

Causa	Remedio
 <p>Batería de la eBike defectuosa</p>	<p>Parpadean dos LED en la batería de la eBike.</p> <p>Contactar con un distribuidor de bicicletas autorizado.</p>
 <p>Batería de la eBike demasiado caliente o fría</p>	<p>Parpadean tres LED en la batería de la eBike.</p> <p>Desconectar la batería de la eBike del cargador hasta que se alcance el rango de temperatura de carga.</p> <p>No conecte de nuevo la batería de la eBike al cargador hasta que haya alcanzado la temperatura de carga correcta.</p>
 <p>El cargador no carga.</p>	<p>No parpadea ningún LED (en función del estado de carga de la batería de la eBike se iluminan permanentemente uno o varios LED).</p> <p>Contactar con un distribuidor de bicicletas autorizado.</p>
No es posible cargar (ninguna indicación en la batería de la eBike)	
Enchufe introducido incorrectamente	Verificar todas las conexiones por enchufe.
Contactos de la batería de la eBike sucios	Limpiar con cuidado los contactos de la batería de la eBike.
Toma de corriente, cable o cargador defectuoso	Comprobar la tensión de la red; dejar revisar el cargador por parte del distribuidor de bicicletas.
Batería de la eBike defectuosa	Contactar con un distribuidor de bicicletas autorizado.

Programa de reciclaje de baterías



La unidad de accionamiento, el ordenador de a bordo incl. la unidad de mando, el acumulador para eBike, el sensor de velocidad, los accesorios y los embalajes deben reciclarse de forma respetuosa con el medio ambiente.

¡No arroje eBikes y sus componentes a la basura!

Antes de eliminar las baterías, proteja los contactos de los polos de las mismas con cinta adhesiva.

No manipule los acumuladores de eBike dañados con manos desprotegidas, ya que puede derramarse electrolito y causar irritaciones cutáneas. Guarde el acumulador defectuoso en un lugar seguro al aire libre. Si es necesario, aisle los polos e informe a su distribuidor. Él le ayudará con la eliminación adecuada.



Puede reciclar su paquete de baterías de Bosch llamando al 1.800.822.8837.